

ECOMAX

**SPARE PARTS CATALOGUE
ERSATZTEILKATALOG
CATALOGUE PIECES DETACHEES
CATALOGO PARTI RICAMBIO
CATALOGO DE PIEZAS DE RECAMBIO
CATALOGO PEÇAS DE REPOSIÇÃO**

601M

04-07-2013

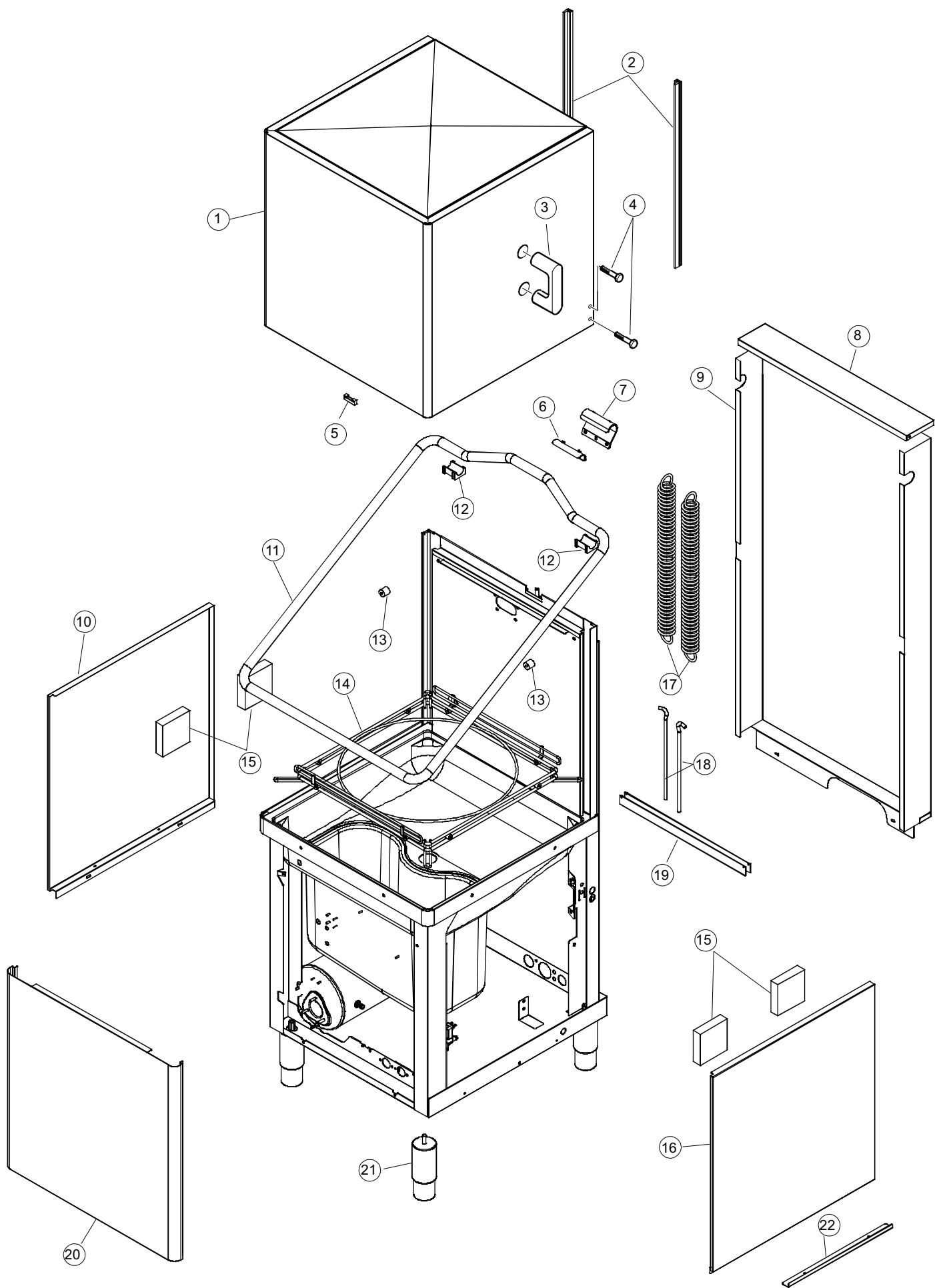
- Tav. 1 – Carrozzeria
- Tav. 2 – Impianto elettrico
- Tav. 3 – Componenti in vasca
- Tav. 4 – lance lavaggio – Risciacquo
- Tav. 5 – Pompa lavaggio

- Tav. 1 – Machine Body
- Tav. 2 – Electrical components
- Tav. 3 – Components in the tank
- Tav. 4 – Wash arms – Rinsing
- Tav. 5 – Wash pump

- Tav. 1 – Carroceria
- Tav. 2 – Instalaciòn elèctrica
- Tav. 3 – Componentes en cuba
- Tav. 4 – Lances lavages – Enjuague
- Tav.5 – Bomba lavado

- Tav. 1 – Carrosserie
- Tav. 2 – Installation électrique
- Tav. 3 – Composants de cuve
- Tav. 4 – Rampes de lavage Rinçage
- Tav. 5 – Pompe lavage

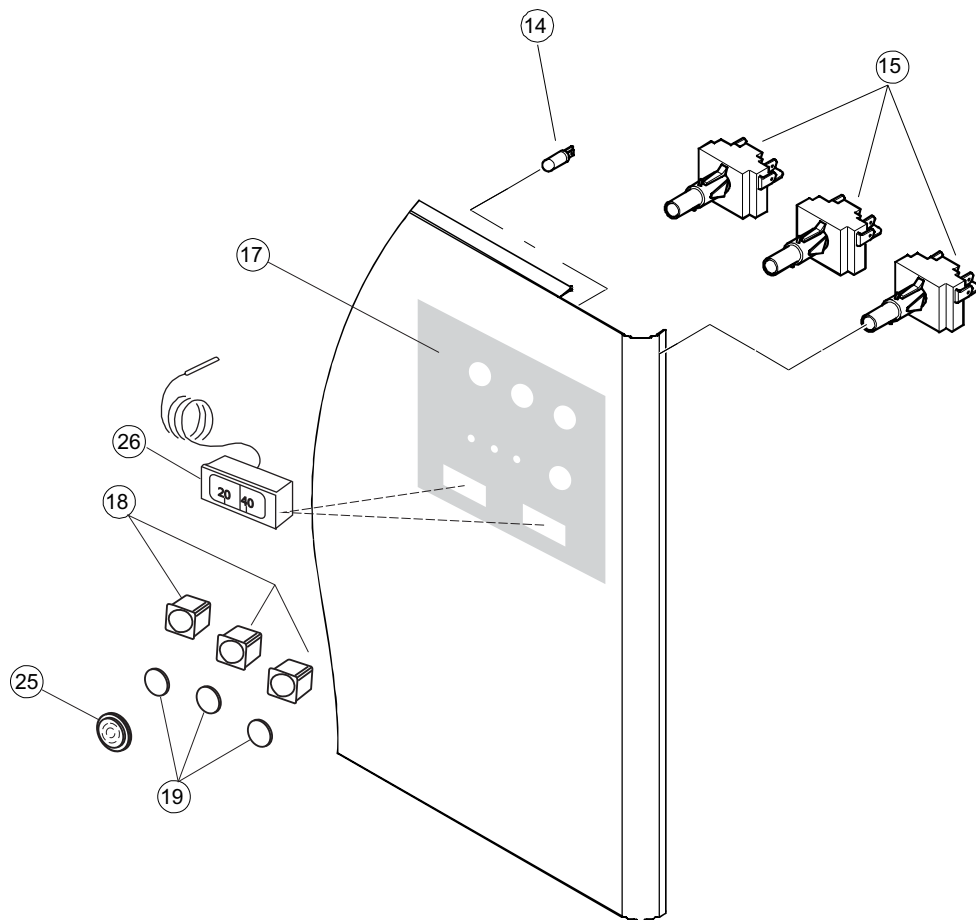
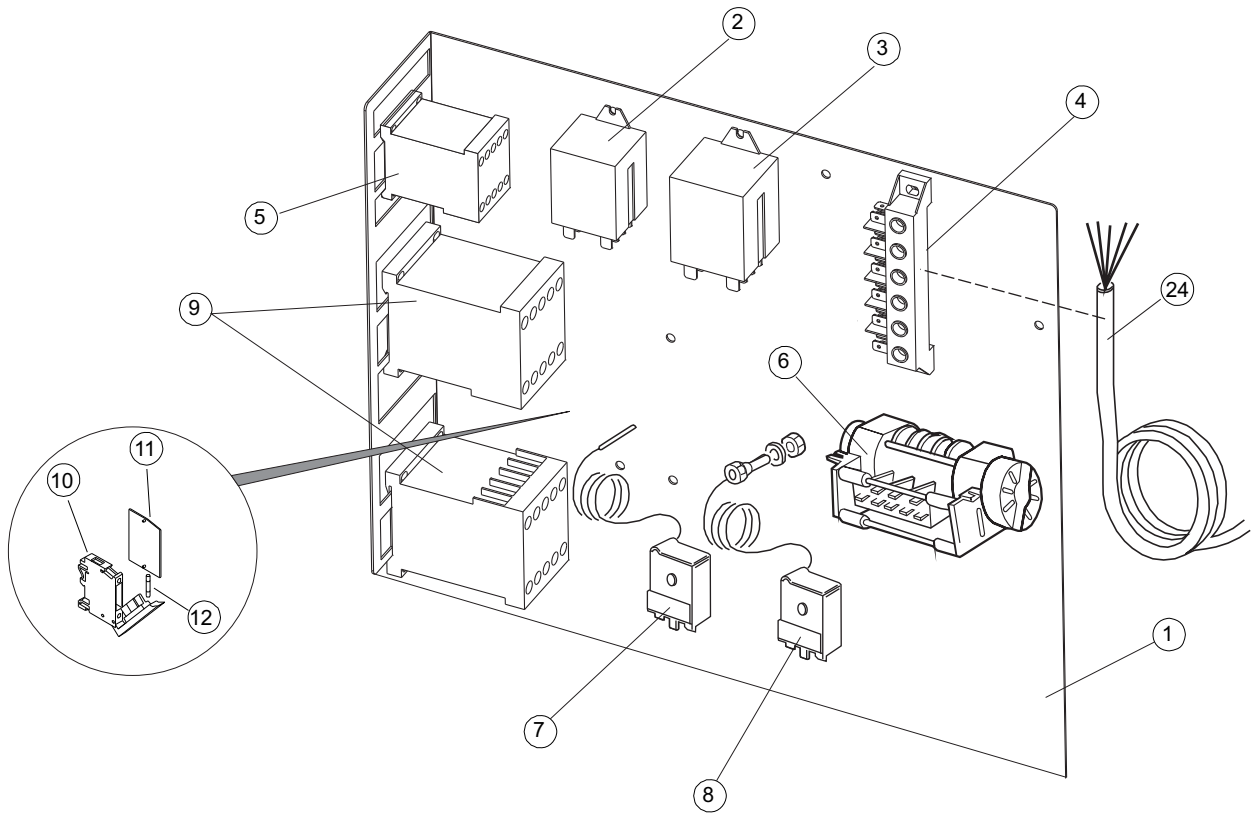
- Taf. 1 – Verkleidung
- Taf. 2 – Elektrische Anlage
- Taf. 3 – Bauteile im Waschtank
- Taf. 4 – Spuelarme – Klarspülung
- Taf. 5 – Spülpumpe



Listino componenti per pagina 1

1	80141	GRUPPO CAPPА SQUADRATA COMPLETA COMPLETE HOOD GROUP KOMPLETE HAUBE GRUPPE GROUPE COMPLETE CAPOT GRUPO CAMPANA CUADRADA COMPLETA	
2	80069	GUIDA CAPPА HOOD DRIVE ÜAHN GUIDE HOTTE GUIA CAPOT	
3	926243	PONTICELLO GRIGIO MANIGLIA TIPO CLG. CONVEX TYPE HANDLE, GREY TYPE CLG. STEG, GRIFF GRAU TYP CLG. ARCADE GRIS POIGNEE TYPE CLG. PUENTE GRIS MANIJA TIPO CLG.	
4	80998	VITE PLASTICA M4X6 (DIN933) GOLD SCREW, PLASTIC M4X6 (DIN933) GOLD SCHRAUBE, KUNST. M4X6 (DIN933) GOLD VIS PLASTIQUE M4X6 (DIN933) GOLD TORNILLO PLASTICO M4X6 (DIN933) GOLD	
5	927088	MAGNETE PER MICROINTERRUPTORE MAGNET FOR MICROSWITCH MAGNET FÜR MIKROSCHALTER AIMANT POUR MINIRUPTEUR IMAN PARA MICROINTERRUPTOR	
6	80277	SQUADRA BRACKET WINKEL EQUERRE ESCUADRA	
7	80275	SQUADRA BRACKET WINKEL EQUERRE ESCUADRA	
8	80324	CAPPELLO X PANNELLO POSTERIORE PG.F COVER FOR REAR PANEL PG.F DECKEL FÜR HINT.PLATTE PG.F COUVERTURE POUR PANNEAU ARRIERE PG.F CAPERUZA X PANEL TRASERO PG. ACABADO	
9	80167	PANNELLO RETRO (SKIN-PLATE) BACK PANEL RUECKWAND CPL 463 PANNEAU ARRIERE PANEL TRASERO	
10	80071	PANNELLO LATERALE SX PG FINIT PANEL, SIDE LH PG PLATTE, SEITL. LINKS PG MASCHINENF. PANNEAU LATERAL GAUCHE PG FINI PANEL LATERAL IZDA PG ACAB.	
11	80027	MANIGLIONE RIVER HANDLE, RIVER GRIFF, RIVER POIGNEE RIVER MANIJA RIVER	
12	80190	SQUADRA SUPP.MANIGLIONE BRACKET, FOR HANBLE SUPP. WINKEL, HALTER FÜR GRIFF EQUERRE SUPP.POIGNEE ESCUADRA SOP. MANIJA	
13	80105	PARACOLPI CAPOT SHOCK-ABSORBER FOR CAPOT PUFFER FÜR DURCHSCHUBSPÜLAUTOM. PARE-CHOCS CAPOT GUARDAGOLPES CAPOT	
14	80240	TELAIO PORTACESTO CAPOT D1000 FRAME, RACK-HOLDER CAPOT D1000 RAHMEN, KORBHALTER DURCHSCHUBSPÜLAUTOM. D1000 CHASSIS PORTE-CASIER CAPOT D1000 BASTIDOR PORTACESTA CAPOT D1000	
15	41042	SPESSORE ADESIVO PANNELLI LATERALI LP STICKY DOOR SIDE THICKNESS KLEBENPER SCHLEGER TEMPON ADHÉSIF ESPESSORE ADHESIVO PANELES LATERALES LP	

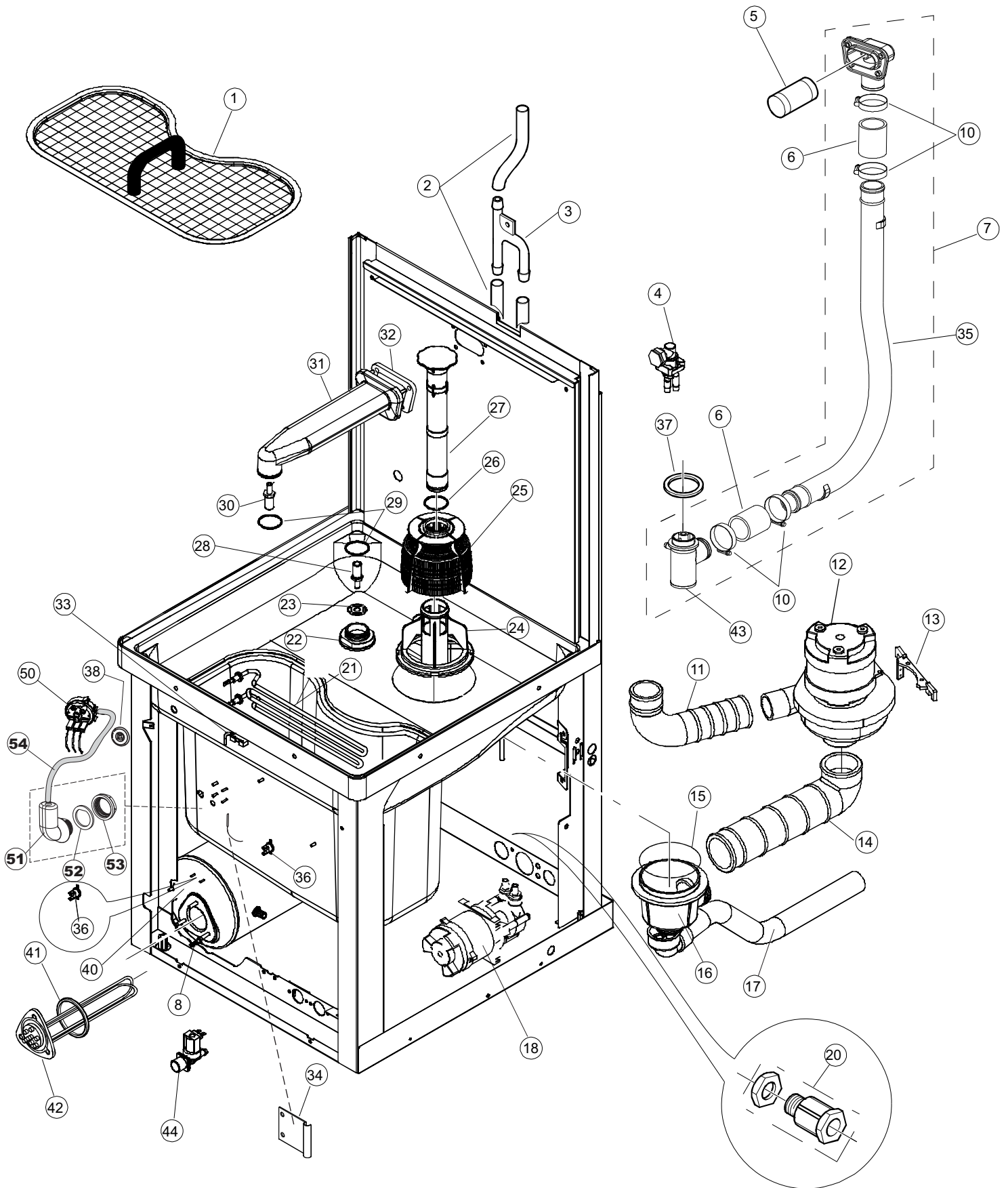
16	80072	PANNELLO LATERALE DX PG FINITO PANEL, SIDE RH PG PLATTE, SEITL. RECHTS PG MASCH. PANNEAU LATERAL DROITE PG FINI PANEL LATERAL DCHA PG ACABADO	
17	926007	MOLLA TRAZ.CAPOTTA f5 100/120/140 SPRING, HOOD TRAZ. f5 100/120/140 SPANNFEDER HAUBE f5 100/120/140 RESSORT TRACT.CAPOT f5 100/120/140 MUELLE TRACC. CAPOTA f5 100/120/140	
18	926009	GANCIO REGOLAZIONE MOLLA 100/120/140 HOOK, ADJUST.SPRING 100/120/140 HAKEN, FEDERREGUL. 100/120/140 CROCHET REGLAGE RESSORT 100/120/140 GANCHO REGULACION MUELLE 100/120/140	
19	80023	SQUADRA BRACKET WINKEL EQUERRE ESCUADRA	
20	69137	PANNELLO ANTERIORE FRONT PANEL FRONTPANEEL PANNEAU AVANT PANEL DELANTERO	
21	73100	PIEDE FOOT FUESS VERRIN PATA REGULABLE X CAPOTA 3LINEA	
22	80078	SQ. FISSAGGIO SOTTOPIANI GOLD PG FINITO BRACK., UNDER-SHELVES FIX. GOLD PG FINISHED BEF.WINKEL, UNTERABLAGEFL.GOLD PG MASCHINENFERTIG EQ. FIXATION SOUS-ETAGERES GOLD PG FINI ESC. FIJACION APOYOS SUPERFICIES GOLD PG	



Listino componenti per pagina 2

1	80459	PANNELLO PROTACOMPONENTI CAPOT PIEGATA FINITA PANEL PANEEL PANNEAU PANEL PORTACOMPONENTES CAPOT PG ACABADO	
2	229036	RELE` FINDER 62.83 16A 230/50 RELAY FINDER 62.83 16A 230/50 RELAIS FINDER 62.83 16A 230/50 RELAIS FINDER 62.83 16A 230/50 VER CODIGO 229040	
3	929115	RELE 16A 230V 62.82 RELAY 16A 230V 62.82 RELAIS 16A 230V 62.82 RELAIS 16A 230V 62.82 RELE 16A 230V 62. 82	
4	220011	* MORSETTIERA 5.POLI + TERRA FV.122 * TERMINAL BOARD, 5-POLES + EARTH FV.122 * KLEMMENBRETT, 5-POLIG + ERDUNG FV.122 * PLAQUE A BORNE 5POLES + TERRE FV.122 * BORNERO 5. POLOS + TIERRA FV. 122	
5	926147	CONTAT.CA4-9.01 230/50-60HZ CONTACT, CA4-9.01 230/50-60HZ KONTAKT, CA4-9.01 230/50-60HZ CONTACT CA4-9.01 230/50-60HZ CONTACT. CA4-9. 01 230/50-60HZ	
6	238073	TIMER 2M-5CAM.230/50 1'2'3'20' TIMER 2M-5CAM.230/50 1'2'3'20' TIMER 2M-5CAM.230/50 1'2'3'20' TEMPORISATEUR 2M-5CAM.230/50 1'2'3'20' TIMER 2M-5CAM. 230/50 1'2'3'20'	
7	236043	TERMOSTATO BOILER TR711 Tf-83ø THERMOSTAT, BOILER TR711 Tf-83ø THERMOSTAT, BOILER TR711 Tf-83ø THERMOSTAT CHAUDIERE TR711 Tf-83ø TERMOSTATO CALENTADOR TR711 Tf-83°	
8	926259	KIT TERMOSTATO VASCA KIT, TANK THERMOSTAT DRT141 KIT, TANKTHERMOSTAT DRT141 KIT THERMOSTAT CUVE KIT TERMOSTATO CUBETA	
9	73350	CONTATTORE 230/50-60HZ CONTACTOR 230-50/60HZ KONTAKT-GEBER 230-50/60HZ CONTACTEUR 230-50/60HZ CONTACTOR	
10	H.228047	* PORTA-FUSIBILE * FUSE-HOLDER * SICHERUNGSTRAGER * PORTE-FUSIBLE * PORTAFUSIBILE	
11	H.228048	* CHIUSURA PORTA-FUSIBILE * CLAMPING FOR FUSE-HOLDER * SICHERUNGSTRAGER-VERSCHLUSS * COUVERTURE PORTE-FUSIBLE * CIERRE PORTAFUSIBILE	
12	228010	FUSIBILE 5X20 4A FAST FUSE SICHERUNG FUSIBLE FUSIBLE 5X20 T4A RETARDADO 250V	
13	231016	SONDA TEMPERATURA TEMP. PROBE KUGEL SONDE SONDA TEMPERATURA (AMPOLLA ACERO)	
14	216025	LAMPADA SPIA SERIE 24.5.0.00.04.78 WARNING LAMP, SERIES 24.5.0.00.04.78 KONTROLL-LAMPE, REIHE 24.5.0.00.04.78 LAMPE-TEMOIN SERIE 24.5.0.00.04.78 LAMPARA TESTIGO SERIE 24. 5. 0. 00. 04.	
15	80804	INTERRUPTORE BIPOLARE CM DEV-DEV (A0537) DOUBLE-POLE SWITCH CM DEV-DEV (A0537) SCHALTER, ZWEIP. CM DEV-DEV (A0537) INTERRUPTEUR BIPOLAIRE CM DEV-DEV (A0537) INTERRUPTOR BIPOLAR CM DESV-DESV (A0537)	

17	69845	POLIESTERE POLYESTER FRONTBLLENDE PANNEAU AVANT MASCARILLA	
18	226126	CORPO PULSANTE GRIGIO RAL7015(D25)) SWITCHCASE DRUCKTASTENGEHAEUSE CORPS DE BOUTON POUSSOIR CUERPO PULS.	
19	227081	TASTO GOFFRATO NERO SERIE D25 LINE BUTTON SCHALTER TOUCHE TECLA GOFRADA NEGRA SERIE D25	
24	69803	CAVO ALIMENTAZIONE POWER CABLE ELEKTRISCH KABEL CÂBLE ÉLECTRIQUE	
25	467012	PROTEZIONE GOMMA PULSANTI PUSHBUTTON RUBBER GUMMIDICHTUNG DRUCKKNOPF JOINT EN GOMME POUSSOIR PROTECCION BOTONERA	
26	926100	TERMOMETRO R076 0/120 THERMOMETER R076 0/120 THERMOMETER R076 0/120 THERMOMETRE R076 0/120 TERMOMETRO R076 0/120	



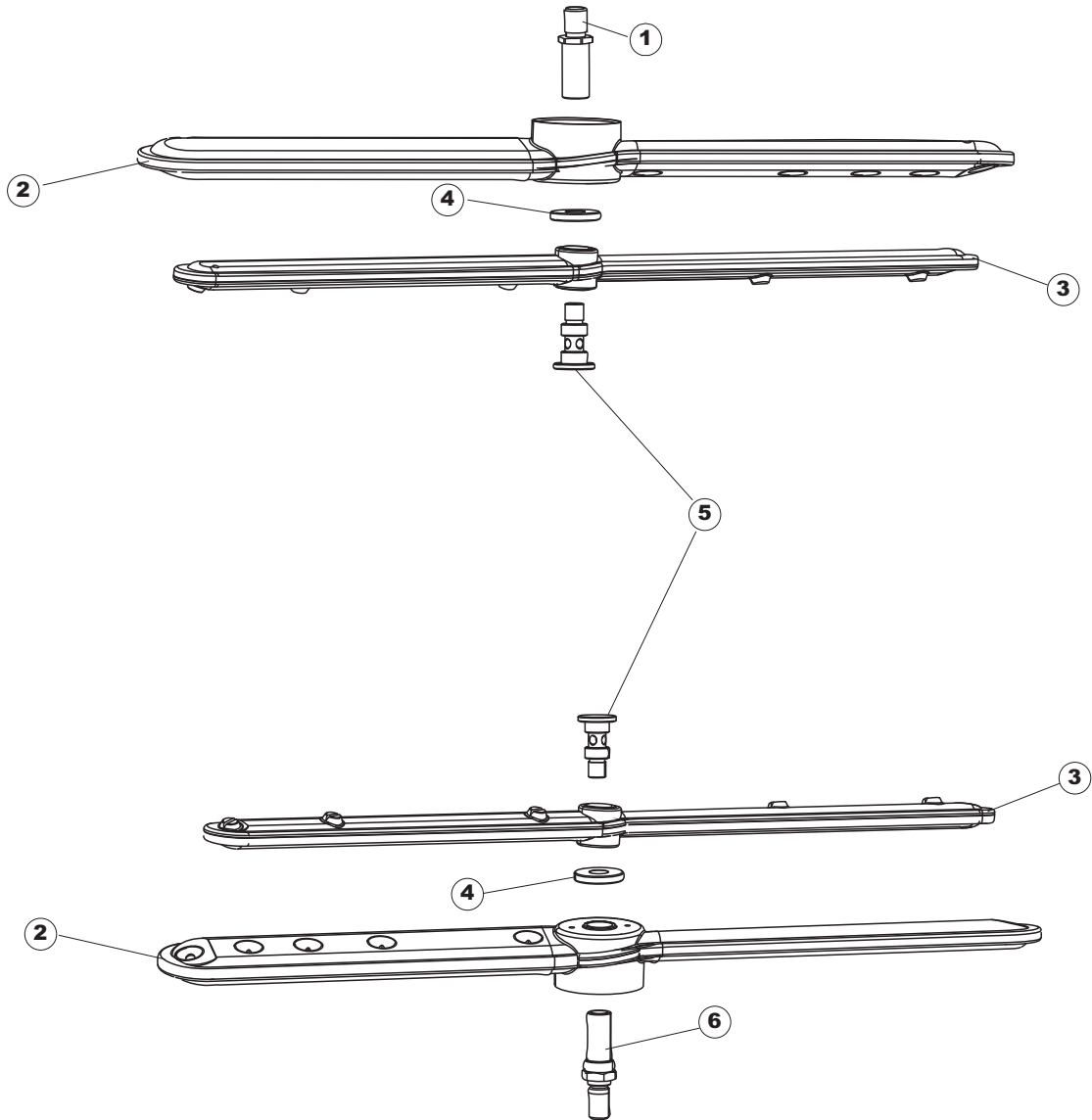
Listino componenti per pagina 3

1	69259	FILTRO IN PLASTICA CAPOT PLASTIC FILTER KUNSTSTOFF FILTER FILTRE EN PLASTIQUE FILTRO DE PLASTICO COMPLETO E78	
2	143010	TUBO PRESS.TP 12X19.5 PIPE, PRESSURE SWITCH TP 12X19.5 ROHR, DRUCKSCHALTER TP 12X19.5 TUYAU PRESS.TP 12X19.5 TUBO PRES. TP 12X19. 5	
3	143173	GIUNZIONE RISC.PLAST.35/40/50 JOINT, RINSE PLAST.35/40/50 VERBIND., NACHSPÜLEN KUNST.35/40/50 JOINT RINC.PLAST.35/40/50 UNION ENJUAGUE PLAST. 35/40/50	
4	144010	DISPOSIT.A/R.(EB) CON RACCORDO SFIATO CHECK VALVE (EB) W/DRAIN UNION RÜCKSCHLAGVORR.(EB) MIT ENTLÜFTUNG DISPOSIT.A/R.(EB) AVEC RACCORD DE VIDANGE DISPOSIT. A/R. (EB) CON EMPALME ALIVIAD.	
5	441009	INSERTO TENUTA D10 COLL.S621- INSERT, SEAL D10 COLL.S621- EINSATZ, DICHT. D10 SAMM.S621- INSERT ETANCHEITE D10 COLL.S621- ELEMENTO ESTANQ. D10 COLECT. S621-	
6	80189	MANICOTTO (X TUBO LAVAGGIO 80237)ART.660 SLEEVE (FOR WASH.TUBE 80237) ART.660 MUFFE (FÜR SPÜLROHR 80237) ART.660 MANCHON (POUR TUYAU LAVAGE 80237)ART.660 MANGUITO (X TUBO LAVADO 80237)ART. 660	
7	80237	CONDOTTA LAVAGGIO PLASTICA RIVER PIPE, WASHING PLASTIC RIVER LEITUNG, SPÜLEN KUNST. RIVER CONDUITE LAVAGE PLASTIQUE RIVER CONDUCTO LAVADO PLASTICO RIVER	
8	75640	TAPPO INOX PER TUBO TAPPO TUBO BOILER PLUG DECKEL TAPON TUBO CALENTADOR	
9	80182	GUARNIZIONE MANDATA INF.CAPOT RV. GASKET, LOW.DELIVERY HOOD RV. DICHTUNG, UNTEN VERSORGUNG DURCHSCHUBSP. RV. JOINT REFOULEMENT INF.CAPOT RV. JUNTA IMPULSION INF. CAPOT RV.	
10	CFS1A	FASCETTA A VITE TORRO W1/W2B 40-60/12 CLAMP, HOSE-TYPE TORRO W1/W2B 40-60/12 SCHELLE, SCHRAUBE TORRO W1/W2B 40-60/12 BANDE DE SERRAGE A VIS TORRO W1/W2B 40-60/12 ABRAZ. CON TORNILLO TORRO W1/W2B 40-60/12	
11	80188	MANICOTTO MANDATA POMPA RIVER 80/81 SLEEVE, PUMP DELIVERY RIVER 80/81 MUFFE, ZUFUHR PUMPE RIVER 80/81 MANCHON REFOUL. POMPE RIVER 80/81 MANGUITO IMPULSION BOMBA RIVER 80/81	
12	80134	ELETTROPOMPA 1100W 220-240V/50HZ PUMP 1100W PUMPE 1100W POMPE 1100W ELECTROBOMBA 1100W	
13	80545	SQ. SUPPORTO POMPA X 80112 & 80114 BRACK., PUMP SUPPORT X 80112 & 80114 WINKEL, HALTER FÜR PUMPE X 80112 & 80114 EQ. SUPPORT POMPE X 80112 & 80114 ESCUADRA SOPORTE BOMBA X 80112 & 80114	
14	80186	MANICOTTO ASPIRAZ.POMPA RIVER SLEEVE, SUCT.PUMP RIVER MUFFE, ABSAUG.PUMPE RIVER MANCHON ASPIRAT.POMPE RIVER MANGUITO ASPIRAC. BOMBA RIVER	
15	456040	OR 201 NBR70 22 O-ring 201 NBR70 22 O-Ring 201 NBR70 22 OR 201 NBR70 22 OR 201 NBR70 22	

16	136020	CORPO ASPIRAZIONE/SCARICO 22/44 INTAKE/DRAIN BODY 22/44 GEHAUSE, EINLASS/ABLASS 22/44 CORPS ASPIRATION/VIDANGE 22/44 CUERPO ASPIRACION/DESCARGA 22/44	
17	143136	TUBO SCARICO VERS.NE INTEGR.22 PIPE, DRAIN - INTEGR. VERSION 22 ABLASSROHR - VOLLST. VERSION 22 TUYAU VIDANGE VERS.NE INTEGR.22 TUBO DESCARGA VERSION INTEGR. 22	
18	DPE127	EL.P 460W 230-50HZ (PPL46) (CHIOC.PLAST) MOTORPUMP 460W 230-50HZ (PPL46) ELEKTROPUMPE 460W 230-50HZ (PPL46) EL.P 460W 230-50HZ (PPL46) ELECTROB. 460W 230-50HZ (PPL46) (ESP. PLAST.)	
20	DEP521	PRESSACAVO PG21 (BER 4721) CABLE GLAND PG21 (BER 4721) KABELSCHELLE PG21 (BER 4721) SERRE CABLE PG21 (BER 4721) SUJETA-CABLE PG21 (BER 4721)	
21	70562	RESISTENZA 3000W 230V MONOFASE TANK HEATING ELEMENT TANK WIEDERSTAND RESISTENCE CUVE	
22	80281	GHIERA LAVAGGIO INFERIORE INTERNO ALTA RING NUT, INSIDE LOWER WASHING, HIGH GEWINDERING, INN. UNT. SPÜLEN, HOCH BAGUE LAVAGE INF. INT. HAUTE VIROLA LAVADO INFERIOR INTERNO ALTA	
23	80316	PARZIALIZZATORE RIVER CAPOT DRAUGHT SHUTTER RIVER CAPOT DROSSELGERAT RIVER-DURCHSCHUBSPÜLAUTOM. ETRANGLEUR RIVER CAPOT PARCIALIZADOR RIVER CAPOT	
24	429038	GHIERA SCARICO 22/44 RING NUT, DRAIN 22/44 GEWINDERING, ABLAUF 22/44 BAGUE VIDANGE 22/44 VIROLA DESCARGA 22/44	
25	121081	FILTRO POMPA GRIGIO 44/TERZ. FILTER, PUMP GREY 44/TERZ. FILTER, PUMPE GRAU 44/TERZ. FILTRE POMPE GRIS 44/TERZ. FILTRO BOMBA GRIS 44/TERZ.	
26	CGR4131NT	O-RING 4131 VITON NERO SH.70 O-ring 4131 BLACK SCREW SH.70 O-RING 4131 SCHWARZE SCHRAUBE SH.70 O-RING 4131 VIS J11312 SH.70 O-RING 4131 VITON NEGRO SH. 70	
27	80249	TROPPO PIENO RIVER 80/81 OVERFLOW RIVER 80/81 ÜBERLAUF RIVER 80/81 TROP-PLEIN RIVER 80/81 REBOSE RIVER 80/81	
28	69785	PERNO LANCIA GIREVOLE REVOLVING ARM SPINDLE DRE HARMSPINDEL PIVOT DE TOURNIQUET PERNO PEINE ENJUAGUE	
29	303037	ANELLO DI TENUTA LAVAGGIO X5 RING RING BAGUE ANILLO DE ESTANQ. LAVADO X5	
30	70283	PERNO IN ACCIAIO INOSSIDABILE PER LANCIA DI LAVAGGIO II PIVOT ZAPFEN PIVOT PERNO INFERIOR LANZA LAVADO ALTO	
31	80177	CONDOTTO LAVAGGIO SUP.RIVER PIPELINE - WASHING, UPPER RIVER LEITUNG - SPÜLEN, OB. RIVER CONDUITE LAVAGE SUP.RIVER CONDUCTO LAVADO SUP. RIVER	

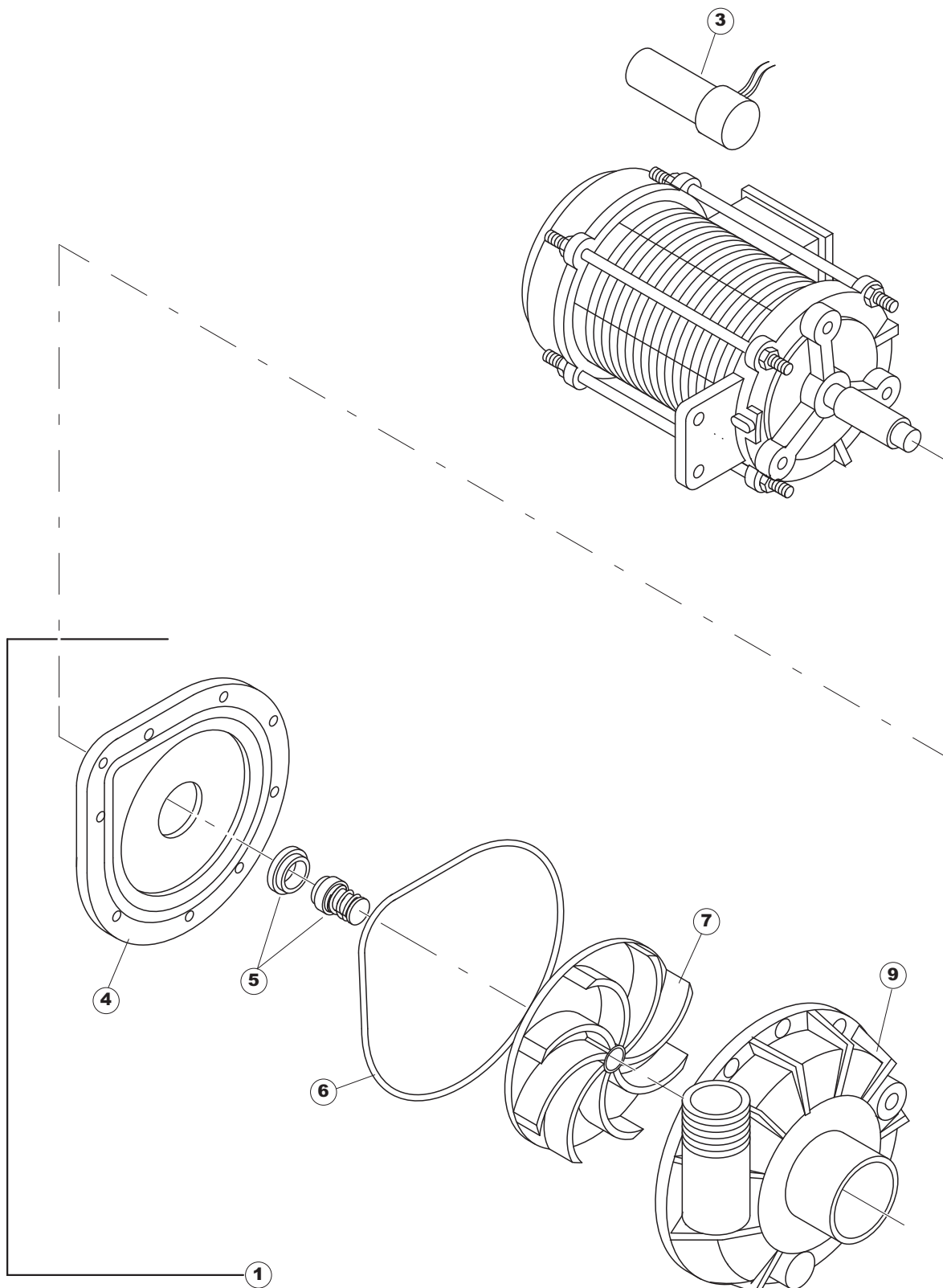
32	80178	GUARNIZIONE GASKET DICHTUNG JOINT JUNTA	
33	80871	MICRO MAGNETICO MAGNETIC DOOR SWITCH TUERKONTAKTSCHALTER CONTACTE MAGNETIQUE CONTACTO MAGNETICO	
34	H.775489-001	CLIP SONDA TEMPERATURA D5 CLIP FOR TEMP.SENSOR D5 KLIPP FÜR TEMP.FÜHLER D5 CLIP SONDE TEMPERATURE D5 CLIP SONDA TEMPERATURA D5	
35	80238	TUBO MANDATA LAVAGGIO CAPOT WASHING PIPE WASCHUNG ROHR TUYAU DE LAVAGE TUBO IMPULSION LAVADO CAPOT	
36	926189	TERMOSTATO BOILER SIC.95ø THERMOSTAT, BOILER, SAF.95ø SICHERHEITSTHERMOSTAT BOILER 95° THERMOSTAT CHAUDIERE SEC. 95ø TERMOSTATO CALENTADOR SEG. 95ø	
37	80182	GUARNIZIONE MANDATA INF.CAPOT RV. GASKET, LOW.DELIVERY HOOD RV. DICHTUNG, UNTEN VERSORGUNG DURCHSCHUBSP. RV. JOINT REFOULEMENT INF.CAPOT RV. JUNTA IMPULSION INF. CAPOT RV.	
38	480153	TAPPO IN GOMMA D.12 RUBBER CAP D.12 VERSCHLUSS AUS GUMMI D.12 BOUCHON EN GOMME D.12 TAPON GOMA D.12	
40	80389	BOILER RIVER CAPOT BOILER RIVER CAPOT BOILER DURCHSCHUBSPÜLAUTOM. RIVER CHAUDIERE RIVER CAPOT CALENTADOR RIVER CAPOT	
41	456002	OR 48x6,2 O-ring 48x6,2 O-Ring 48x6,2 OR 48x6,2 OR 48x6,2	
42	80399C	KIT RESISTENZA 80399 (12KW) READY-TO-ASSEMBLE KIT FOR HEATING ELEMENT 80398 (12K BAUKIT FUER HEIZUNG 80399 (12KW) TROUSSE DE MONTAGE RESISTANCE 80399 (12KW) KIT RESISTENCIA 80399 (12KW)	
43	80179	RACCORDO LAV.INF. EST.GOLD (COL.NEUTRO) UNION, WASH.LOW. OUTS.GOLD (NEUTRAL COL.) VERBINDUNGSST., UNT.SPÜL. AUSS.GOLD (NEUTR. FARBE) RACCORD LAV.INF. EXT.GOLD (COL.NEUTRE) EMPALME LAV. INF. EXT. GOLD (COL. NEUTRO)	
44	240016	VALVOLA DI CARICO 1VIA 3/4 230V PARZ.16L LOADING S.VALVE 1-WAY 3/4 230V PART.16L ZUFLUSSVENTIL 1-WEG 3/4 230V DROSS.16L SOUPAPE DE CHARG. 1VOIE 3/4 230V PARZ.16L VALVULA DE CARGA 1VIA 3/4 230V PARC. 16L	
50	69850	PRESSOSTATO 40/20 PRESSURE SWITCH TYPE 40/20 DRUCKWAECHTER 40/20 PRESSOSTAT 40/20 PRESOSTATO CALIB.40/20	
51	107012	CAMPANA PRESSOSTATO (L) RV40-50-CAPOTE AIR TRAP LUFTFALLE PRISE D'AIR CAMPANA PRESOSTATO (L) RV40-50-CAPOTA	
52	437098	GUARNIZIONE NUOVA CAMP.PRESS. PACKING FOR AIR TRAP OF PRESSURE SWITCH DICHTUNG FUER LUFTFALLE JOINT PRISE D'AIRE PRESSOSTAT JUNTA NUEVA CAMP.PRES.	

53	417120	DADO PLASTICA GRIGIO PLASTIC NUT KUNSTSTOFFMUTTER 1-1/4 ECROU EN PLASTIQUE TUERCA PLASTICO GRIS	
54	143131	TUBO GOMMA PIPE SCHLAUCH FUER DRUCKSCHALTER TUYAU VER CODIGO 143005	



Listino componenti per pagina 4

1	70283	PERNO IN ACCIAIO INOSSIDABILE PER LANCIA DI LAVAGGIO IN PIVOT ZAPFEN PIVOT PERNO INFERIOR LANZA LAVADO ALTO	
2	129083	PETTINE LAV.PLASTICA(7024)CAPOT 1 RINSE COMB. SPUELARM RAMPE DE LAVAGE PEINE LAVADO	
3	129088	PETTINE RISCIAQC.PLASTICA E45/CAPOT RINSE COMB ABWASCHE KAMM PEIGNE RINÇAGE	
4	80697	GHIERA ULTRA RINSE INOX NUT RING BAGUE VIROLA ULTRA RINSE INOX	
5	80700	PERNO RISCIAQUO HINGE STIFT BROCHES PERNO	
6	69785	PERNO LANCIA GIREVOLE REVOLVING ARM SPINDLE DRE HARMSPINDEL PIVOT DE TOURNIQUET PERNO PEINE ENJUAGUE	

**(CAM1733)**

Listino componenti per pagina 5

1	80134	ELETTROPOMPA 1100W 220-240V/50HZ PUMP 1100W PUMPE 1100W POMPE 1100W ELECTROBOMBA 1100W	
3	80191	CONDENSATORE 12,5MF CONDENSER KONDENSATOR 12,5MF DURITE CONDENSADOR DE 12. 5 mF	
4	80196	FLANGIA FLANGE FLANSCH BRIDE BRIDA CON SCUDO E.BOMBA	
5	80193	TENUTA MECCANICA (AC13268B+AB112411T) WASHPUMP SHAFT SEAL MECHANISCHE DICHTUNG FUER MOTORPUMPE ETANCHEITE' POUR MOTOPOMPE ESTANQ. ROTOR BOMBA	
6	80199	CHIOCCIOLA GASKET PUMP PUMPEDICHTUNG JOINT POMPE JUNTA BOMBA	
7	80197	FLANGIA FLANGE FLANSCH BRIDE ROTOR E-BOMBA	
9	80198	CHIOCCIOLA ELECTROPUMP HOUSING PUMPENGEHAUSE VOLUTE POUR MOTOPOMPE ESPIRAL EL-BOMBA	