



CATALOG OF REPLACEMENT PARTS

HL300 SERIES LEGACY MIXER

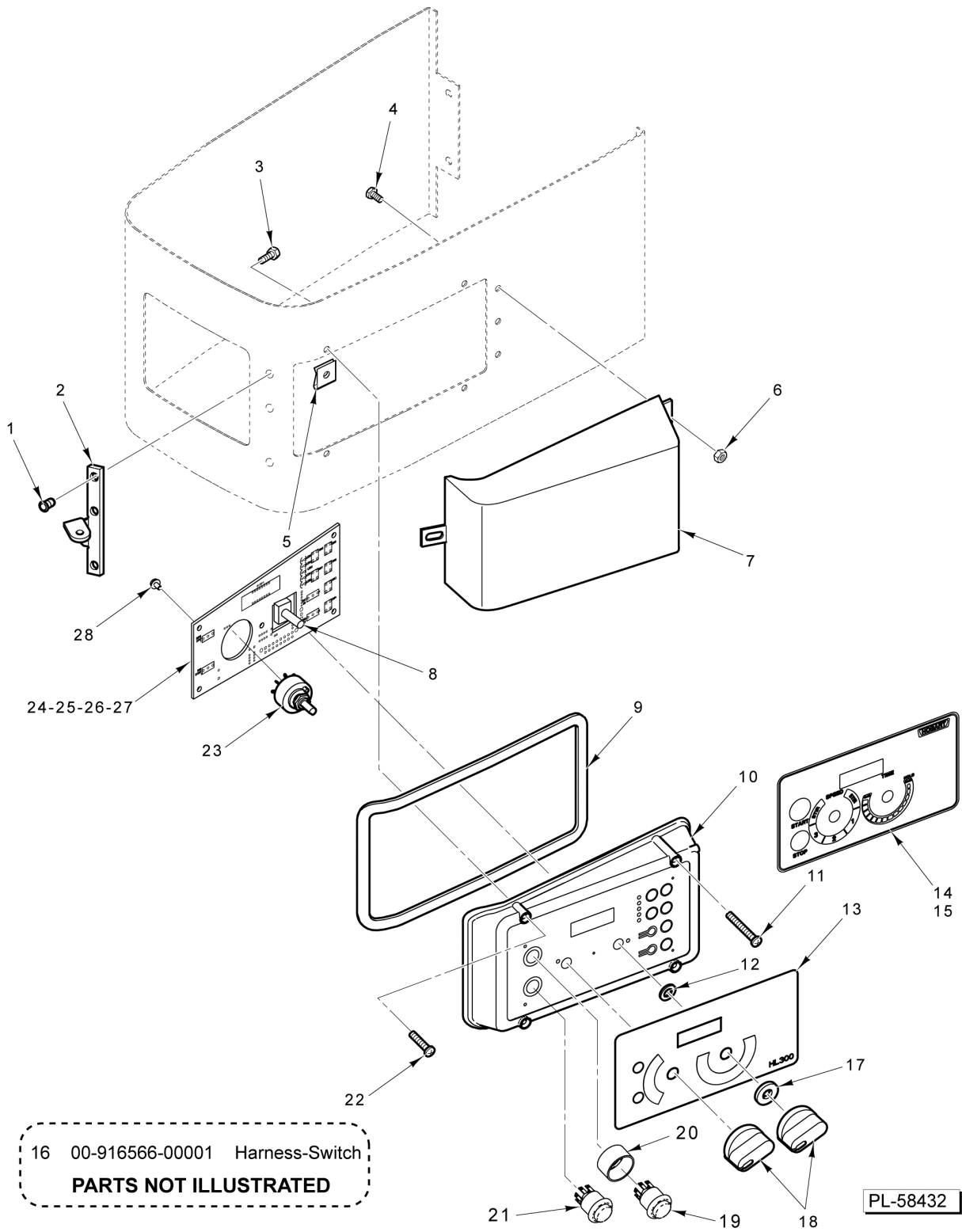


ML-134351
ML-134358
ML-141097

HL300
HL300C
HL300 (Canada)

Table of Contents

5	CONTROL PANEL
7	ELECTRICAL COMPONENTS
9	BASE AND PEDESTAL
11	ATTACHMENT HUB
13	TRANSMISSION CASE AND MOTOR
15	TRANSMISSION
17	PLANETARY
19	BOWL AND BOWL GUARD
21	BOWL SUPPORT
23	AGITATORS AND ACCESSORIES

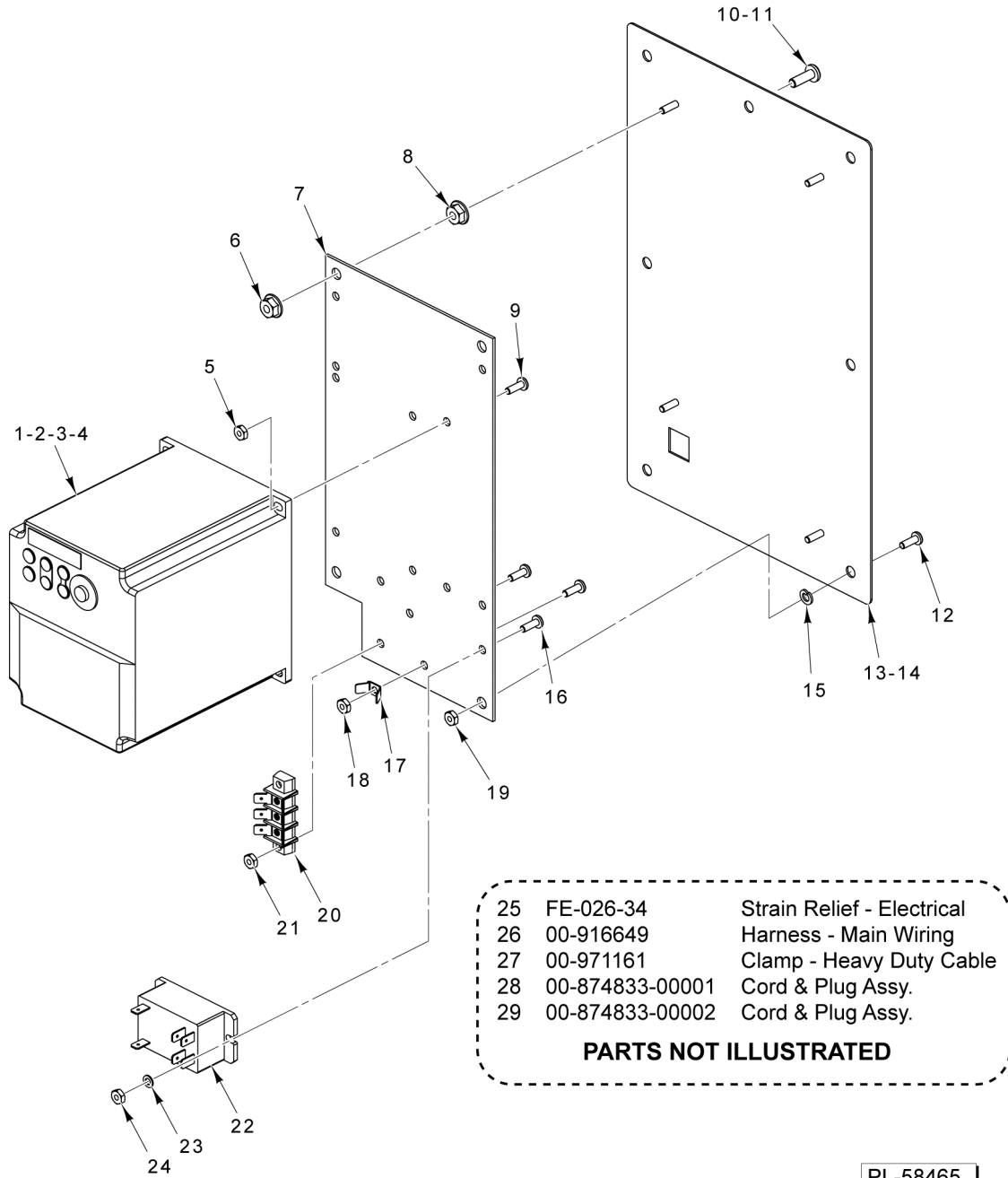


CONTROL PANEL

CONTROL PANEL

ILLUS.	PART NO.	NAME OF PART	AMT.
	PL-58432		
1	00-042648	Insert - Threaded (ML-134358).....	3
2	00-916759	Latch (ML-134358).....	1
3	SC-128-69	Mach. Screw 10-24 x 3/8 Tx. Button Hd. (ML-134358).....	3
4	SC-128-69	Mach. Screw 10-24 x 3/8 Tx. Button Hd. (ML-134358).....	3
5	00-874338	Fastener - Self-Retaining.....	4
6	NS-038-13	Lock Nut 10-24 Hex (ML-134358).....	3
7	00-916760	Cover - Security (ML-134358).....	1
8	00-916594	Potentiometer Assy. (Units Starting S/N 311398262).....	1
9	00-916613	Seal - Control Panel.....	1
*10	00-917302	Panel - Control.....	1
11	SC-128-40	Mach. Screw 8-32 x 2-1/4 Phil. Oval Hd. (SST).....	2
12	00-917313	Spacer (Units Built With S/N from 311398262 to 311422837).....	1
13	00-916766	Overlay - Recipe (4-Position Speed Selector) (Units Before S/N 311422837).....	1
**14	00-937066	Overlay - Standard (6-Position Speed Selector) (Units Starting S/N 311422837).....	1
15	00-937069	Overlay - Recipe (6-Position Speed Selector) (Units Starting S/N 311422837).....	1
16	00-916566-00001	Harness - Switch.....	1
17	WS-031-55	Washer.....	1
18	00-874809	Knob.....	2
19	00-916593	Switch - Sealed Dome (Start).....	1
20	00-916958-00002	Guard - Switch.....	1
21	00-916592	Switch - Sealed Dome (Stop).....	1
22	SC-128-39	Mach. Screw 8-32 x 1-1/2 Phil. Oval Hd. (SST).....	2
****23	00-937061	Switch - Speed Selector Assy. (6-Position) (Units Starting S/N 311422837).....	1
****24	00-917212	PCB Assy. (Standard Timer With Off-Board Potentiometer And 4-Position Speed Selector) (Units Built With S/N from 311398262 to 311422837).....	1
*****25	00-917213	PCB Assy. (Recipe Timer With Off-Board Potentiometer And 4-Position Speed Selector) (Units Built With Serial Numbers from 311398262 to 311422837).....	1
26	00-937135	PCB Assy. (Standard) (6-Position Speed Selector) (Units Starting S/N 311422837).....	1
27	00-937136	PCB Assy. (Recipe Timer) (6-Position Speed Selector) (Units Starting S/N 311422837).....	1
28	SD-039-23	Self-Tapping Screw 6-32 x 1/4 Hex Washer Hd., Type RL.....	5

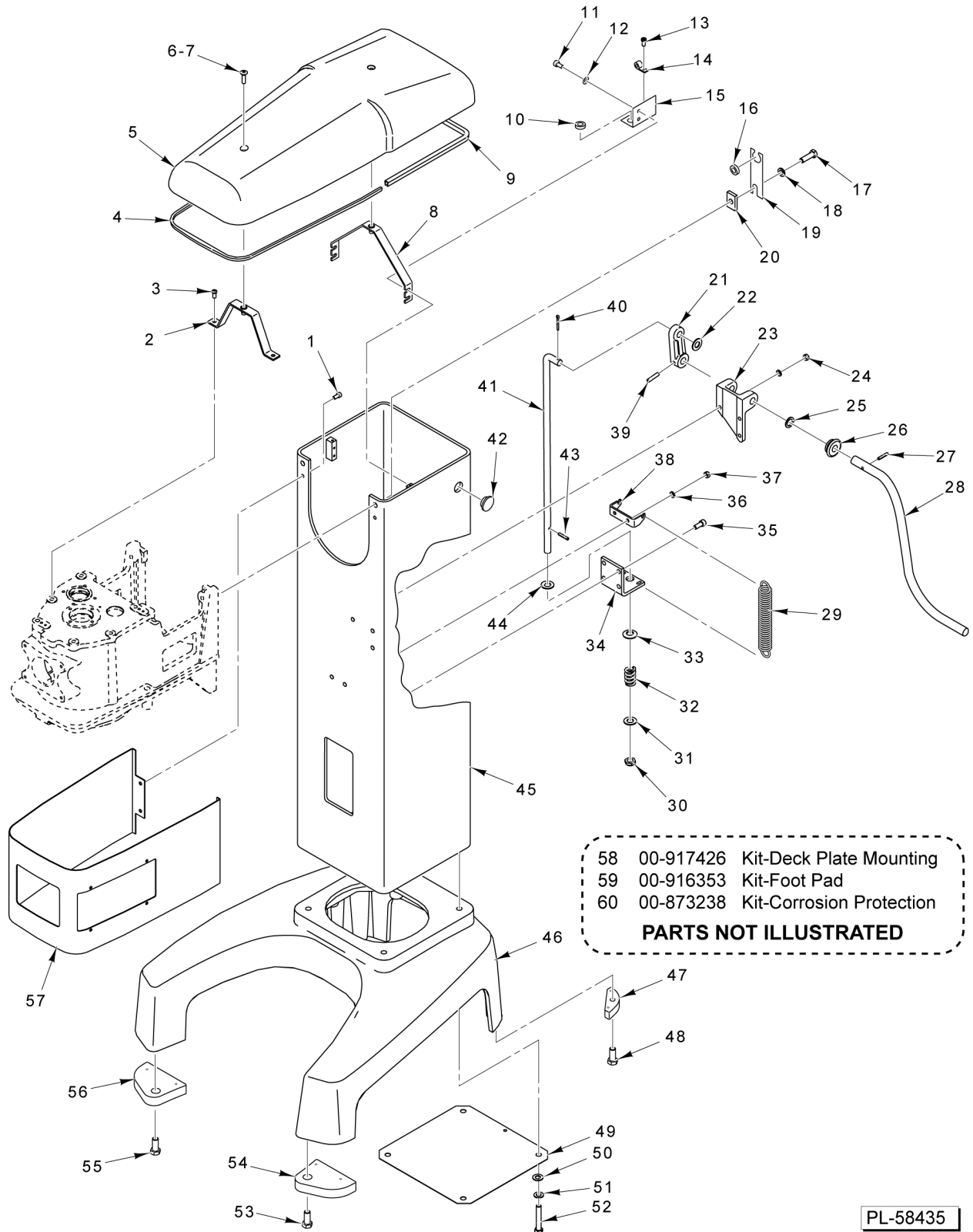
- * (Order panel control upgrade 00-913103-00003 when replacing panel with standard timer, and 4-position speed selector. Order panel control upgrade 00-913103-00007 when replacing panel with variable speed selector, and on-board on/off switches.)
- ** (Order panel control upgrade 00-913103-00003 when replacing standard timer overlay with 4-position speed selector switch.)
- *** (Order panel control upgrade 00-913103-00003 when replacing 4-position speed selector switch with standard timer.)
- **** (Order Items 8, 12, 18 & 24 when replacing standard timer with on-board potentiometer.)
- ***** (Order PCB Assembly 00-913102-00103 when replacing recipe timer with on-board potentiometer.)



ELECTRICAL COMPONENTS

ELECTRICAL COMPONENTS

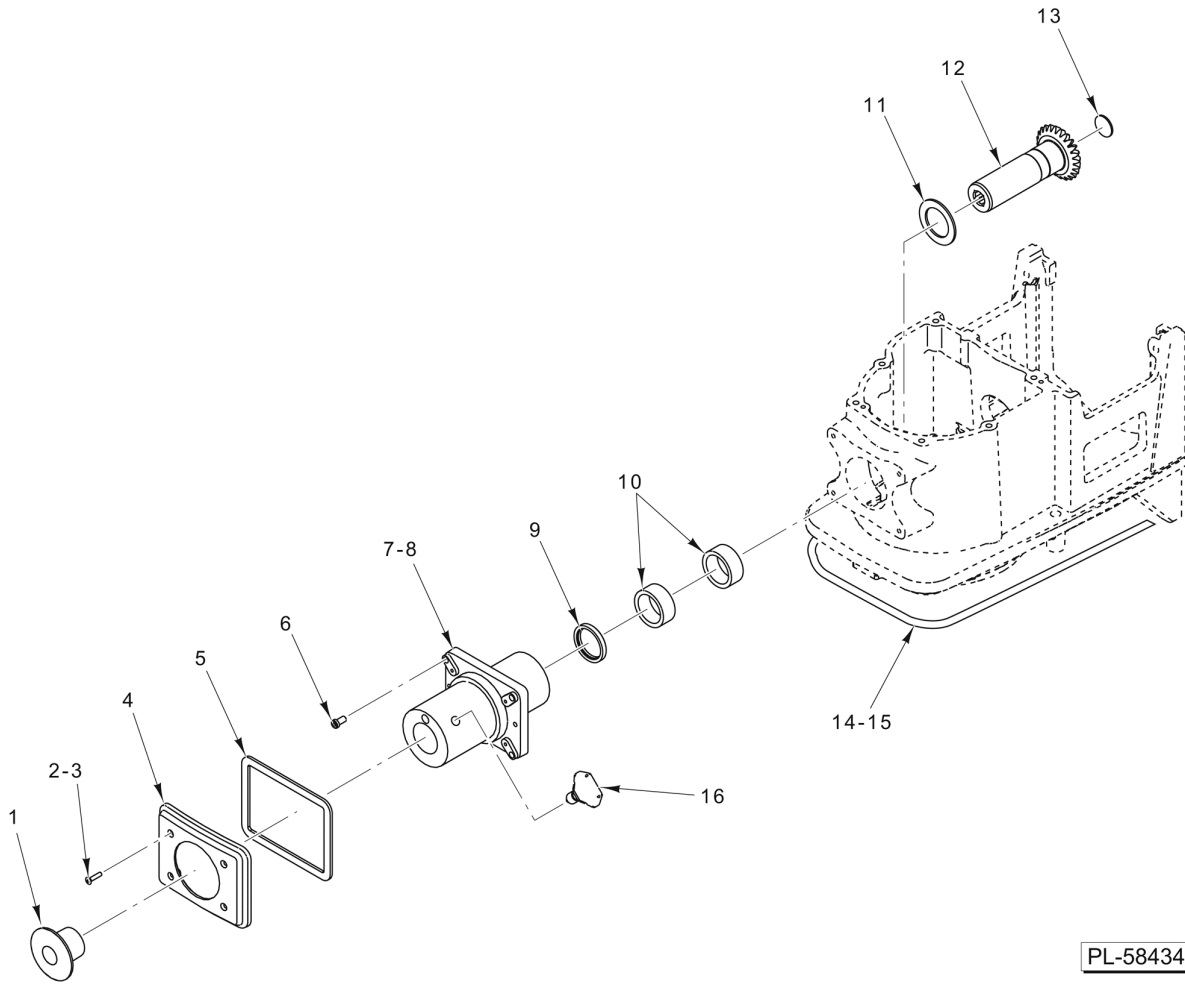
ILLUS.	PART NO.	NAME OF PART	AMT.
PL-58465			
1	00-916761	Controller (100/120 V., 50/60 Hz., 1 Ph.).....	1
2	00-916762	Controller (200/230 V., 50/60 Hz., 1 Ph.).....	1
3	00-916763	Controller (200/230 V., 50/60 Hz., 3 Ph.).....	1
4	00-916764	Controller (380/480 V., 50/60 Hz., 3 Ph.).....	1
5	WS-023-48	Washer.....	4
6	NS-038-04	Lock Nut 1/4-20.....	4
7	00-916871	NLA - Obsolete--Plate - Controller Mounting.....	1
8	NS-038-04	Lock Nut 1/4-20.....	4
9	SC-018-34	Mach. Screw 8-32 x 1/2 Phil. Pan Hd.....	4
10	SC-053-46	Mach. Screw 1/4-20 x 3/4 Slotted Truss Hd. (SST).....	7
11	SC-128-74	Mach. Screw 1/4-20 x 5/8 Tx. Button Hd. (SST) (ML-134358).....	7
12	SC-018-33	Mach. Screw 8-32 x 5/16 Phil. Pan Hd.....	1
13	00-916772-00001	Cover - Back & Studs (100/120 V. & 200/230 V., 1 Ph.).....	1
14	00-916772-00002	Cover - Back & Studs (200/230 V. & 380/480 V., 3 Ph.).....	1
15	WL-003-12	Lockwasher #8 Helical.....	1
16	SC-018-34	Mach. Screw 8-32 x 1/2 Phil. Pan Hd.....	5
17	00-065890-00090	Terminal (2-Tab).....	1
18	NS-009-12	Nut 8-32 Hex.....	1
19	NS-038-04	Lock Nut 1/4-20.....	1
20	00-916269	Block - Terminal.....	1
21	NS-009-12	Nut 8-32 Hex.....	2
22	00-087714-042-5	Relay (2-Pole, 30 Amp.).....	1
23	WS-023-48	Washer.....	2
24	NS-009-12	Nut 8-32 Hex.....	2
25	FE-026-34	Strain Relief - Electrical.....	1
26	00-916649	Harness - Main Wiring.....	1
27	00-971161	Clamp - Heavy Duty Cable.....	1
28	00-874833-00001	Cord & Plug Assy. (120 V.).....	1
29	00-874833-00002	Cord & Plug Assy. (220 V.).....	1



BASE AND PEDESTAL

BASE AND PEDESTAL

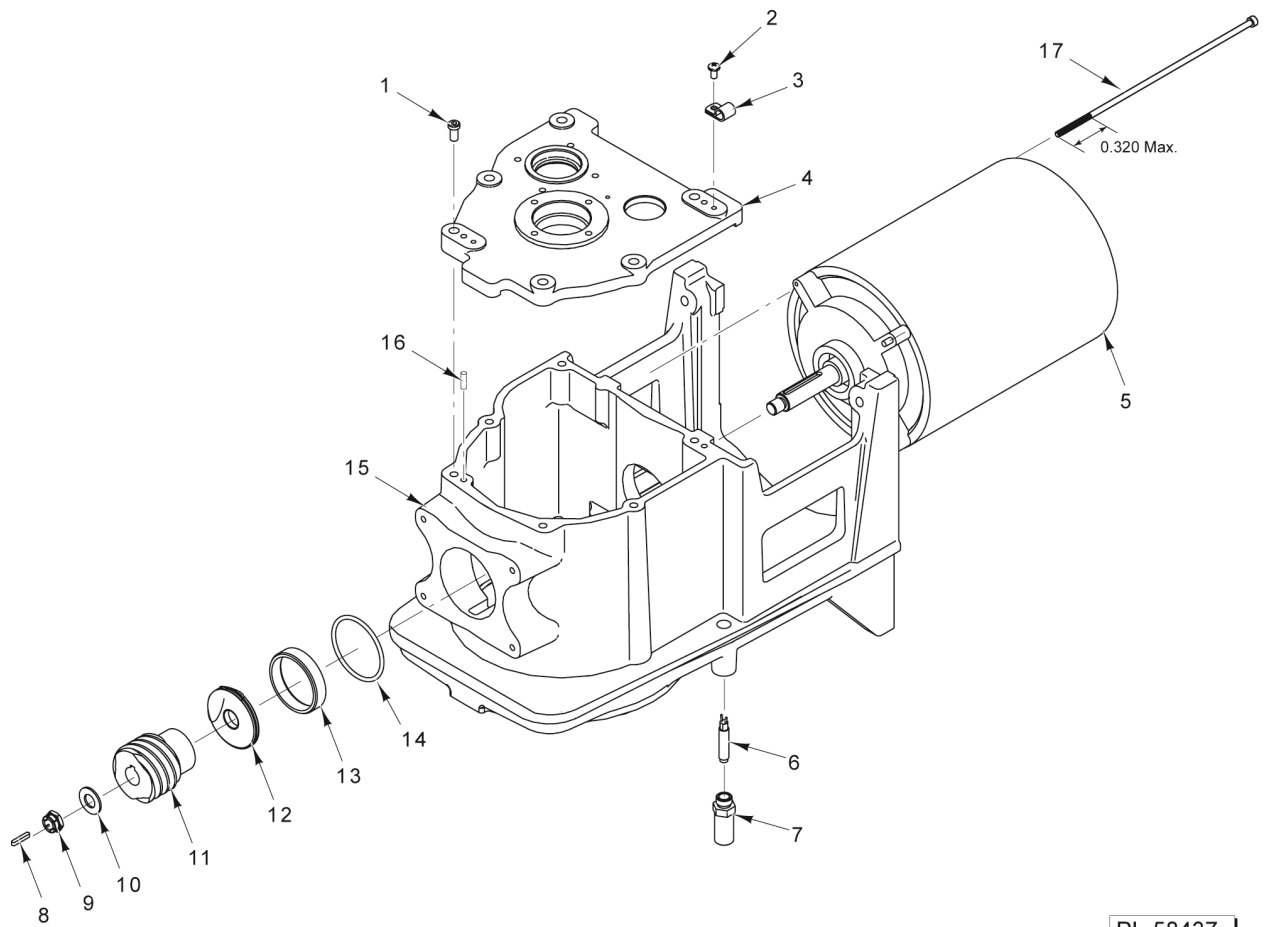
ILLUS. PL-58435	PART NO.	NAME OF PART	AMT.
1	SC-089-01	Cap Screw 1/4-20 x 1/2 Hex Socket Hd.....	2
2	00-916452	Strap - Front Cover Mounting.....	1
3	SC-089-19	Cap Screw 5/16-18 x 1-3/8 Hex Socket Hd.....	2
4	00-874512-00003	Seal - Top Cover.....	1
5	00-913102-00240	Kit - Top Cover & Screws.....	1
6	SC-024-03	Mach. Screw 1/4-20 x 7/8 Slotted Fil. Hd. (SST).....	2
7	SC-121-73	Mach. Screw 1/4-20 x 1 Tx. Button Hd. (SST) (ML-134358).....	2
8	00-916454	Strap - Rear Cover Mounting.....	1
9	00-916535-00001	Seal - Top Cover.....	1
10	FE-021-13	Bushing (Nylon) 1/2 I.D.....	1
11	SC-089-01	Cap Screw 1/4-20 x 1/2 Hex Socket Hd.....	4
12	WS-003-19	Washer.....	4
13	SD-019-23	Self-Tapping Screw 10-16 x 3/8 Phil. Pan Hd., Type B.....	1
14	00-078752-00009	Clamp - Cable.....	1
15	00-937123	Bracket.....	1
16	FE-021-13	Bushing (Nylon) 1/2 I.D.....	1
17	SC-118-09	Cap Screw 3/8-16 x 1-1/4 Hex Hd.....	6
18	WL-004-06	Lockwasher 3/8 Helical.....	6
19	00-916815	Plate - Wire Routing.....	1
20	00-271340	Bar - Reinforcing.....	6
21	00-916467	Arm - Bowl Lift.....	1
22	WS-008-47	Washer.....	1
23	00-916442	Block - Bowl Lift Bearing.....	1
24	NS-013-02	Nut 1/4-20 Hex.....	3
25	WS-020-01	Washer (SST).....	1
26	00-271343	Grommet - Handle.....	1
27	RP-002-25	Roll Pin 1/8 Dia. x 7/8 Lg.....	1
28	00-916482	Handle - Bowl Lift.....	1
29	00-916463	Spring - Bowl Lift.....	2
30	NS-031-39	Stop Nut 1/2-20 "Elastic".....	1
31	WS-008-47	Washer.....	1
32	00-070104	Spring - Bowl Lift.....	1
33	00-070131	Washer - Cup Bowl Lift.....	1
34	00-916469	Bracket - Bowl Lift Support.....	1
35	SC-040-14	Cap Screw 5/16-18 x 3/4 Hex Soc. Hd.....	4
36	WL-003-38	Lockwasher 1/4 Helical.....	2
37	NS-013-02	Nut 1/4-20 Hex.....	2
38	00-916449	Hook - Bowl Lift Spring.....	1
39	PS-004-15	Spiral Pin 1/4 Dia. x 1-1/8 Lg.....	1
40	PC-006-13	Cotter Pin.....	1
41	00-916468	Rod - Bowl Lift.....	1
42	PB-005-30	Plug - Button.....	1
43	RP-002-10	Roll Pin 3/16 Dia. x 1 Lg.....	1
44	WS-008-47	Washer.....	1
45	00-916364-00004	Column.....	1
46	00-916213-00004	Base.....	1
47	00-916309	Pad - Rear.....	2
48	SC-110-36	Cap Screw 3/8-16 x 1 Hex Flat Hd. (SST).....	2
49	00-916987	NLA - Obsolete--Cover - Bottom.....	1
50	WS-018-19	Washer.....	4
51	WL-004-04	Lockwasher 3/8 Helical.....	4
52	SC-118-05	Cap Screw 3/8-16 x 2-3/4 Hex Hd.....	4
53	SC-110-36	Cap Screw 3/8-16 x 1 Hex Flat Hd. (SST).....	1
54	00-916308	Pad - Front (RH).....	1
55	SC-110-36	Cap Screw 3/8-16 x 1 Hex Flat Hd. (SST).....	1
56	00-916307	Pad - Front (LH).....	1
57	00-916387-00002	Wrapper - Transmission.....	1
58	00-917426	Kit - Deck Plate Mounting.....	1
59	00-916353	Kit - Foot Pad (Incls. Items 47, 48, & 52 thru 55).....	1
60	00-873238	Kit - Corrosion Protection.....	1



ATTACHMENT HUB

ATTACHMENT HUB

ILLUS.	PART NO.	NAME OF PART	AMT.
PL-58434			
1	00-917221	Plug - Attachment.....	1
2	SC-079-04	Mach. Screw 8-32 x 3/4 Phil. Oval Hd. (SST).....	4
3	SC-128-65	Mach. Screw 1/4-20 x 1/2 Tx. Button Hd. (SST) (ML-134358).....	4
4	00-917222	Panel - Front.....	1
5	00-875813	Seal - Front Cover.....	1
6	SC-040-09	Cap Screw 1/4-20 x 1-1/4 Hex Socket Hd.....	4
7	00-916662-00002	Hub - Attachment.....	1
8	OR-001-09	O-Ring.....	1
9	00-916733	Seal - Attachment Hub.....	1
10	BN-005-11	Bearing - Needle.....	2
11	00-061920-00009	Washer - Thrust (0.100 Thk.).....	1
12	00-916601-00002	Gear - Drive Attachment (Incls. Item 13).....	1
13	PL-003-17	Plug - Expansion.....	1
14	00-874925-00008	Seal - Neoprene.....	1
15	00-874925-00009	Seal - Neoprene.....	1
16	00-108197-00001	Thumb Screw 1-1/4.....	1



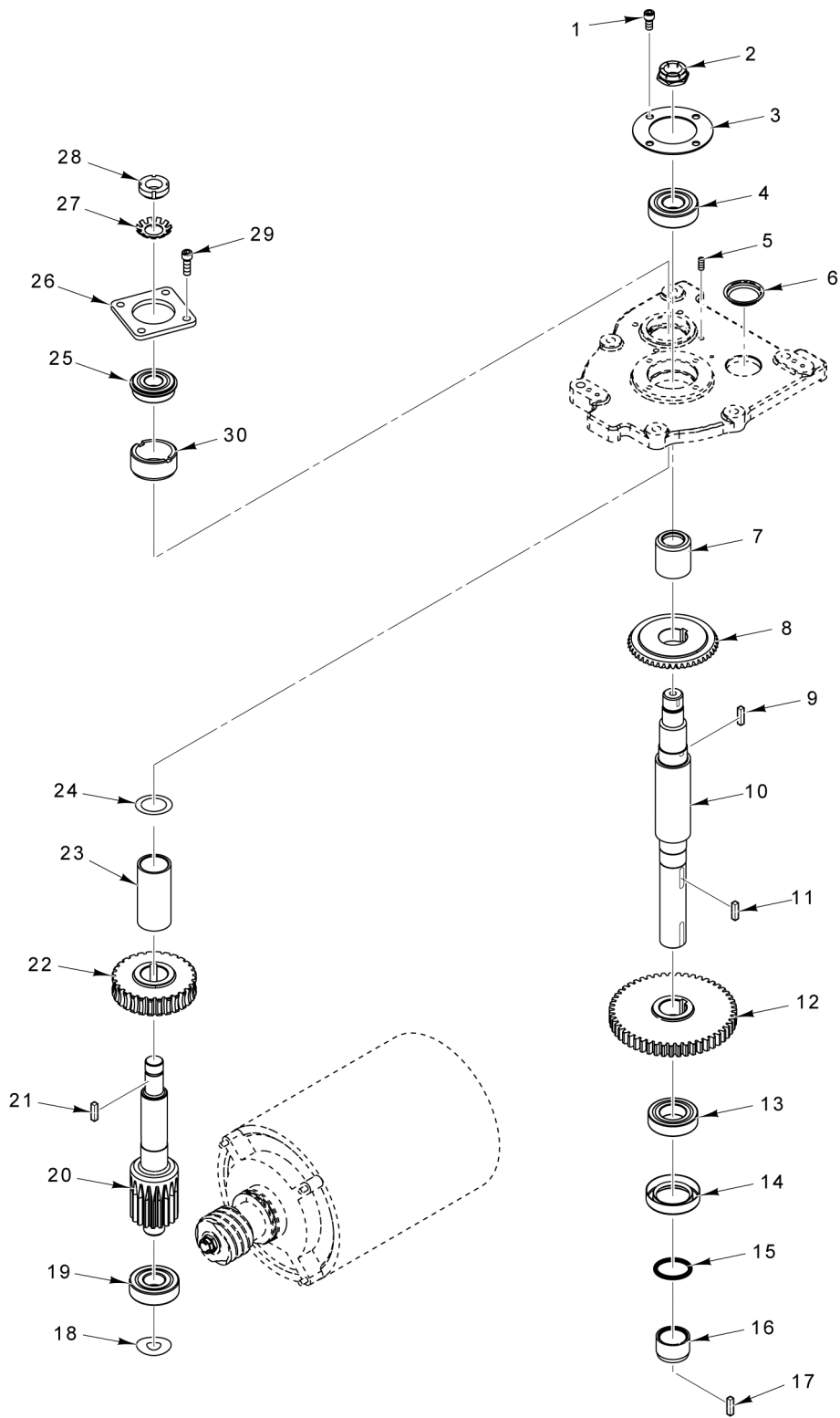
PL-58437

TRANSMISSION CASE AND MOTOR

TRANSMISSION CASE AND MOTOR

ILLUS.	PART NO.	NAME OF PART	AMT.
PL-58437			
1	SC-040-15	Cap Screw 5/16-18 x 1-1/4 Socket Fil. Hd.....	6
2	SC-018-62	Mach. Screw 10-24 x 3/8 Phil. Pan Hd.....	1
3	00-078752-00009	Clamp - Cable.....	1
4	00-916324	Cover - Top.....	1
5	00-916446	Motor.....	1
6	00-087711-00352	Switch - Reed.....	1
7	00-917596	Holder - Reed Switch.....	1
8	00-012430-00069	Key 3/16 x 3/16 x 1-39/64.....	1
9	NS-032-23	Lock Nut 7/16-20 Special.....	1
10	WS-021-08	Washer.....	1
11	00-916338	Worm - Motor.....	1
12	00-937535	Deflector - Grease (RH).....	1
13	00-916445	Bushing - Motor.....	1
14	00-067500-00057	O-Ring.....	1
15	00-916326-00003	Transmission.....	1
16	00-011800-00187	Dowel.....	2
*17		Screw - UNF-2A 10-32 x 10" (Ref. Only).....	4

* 0.320 Max Thread Extension

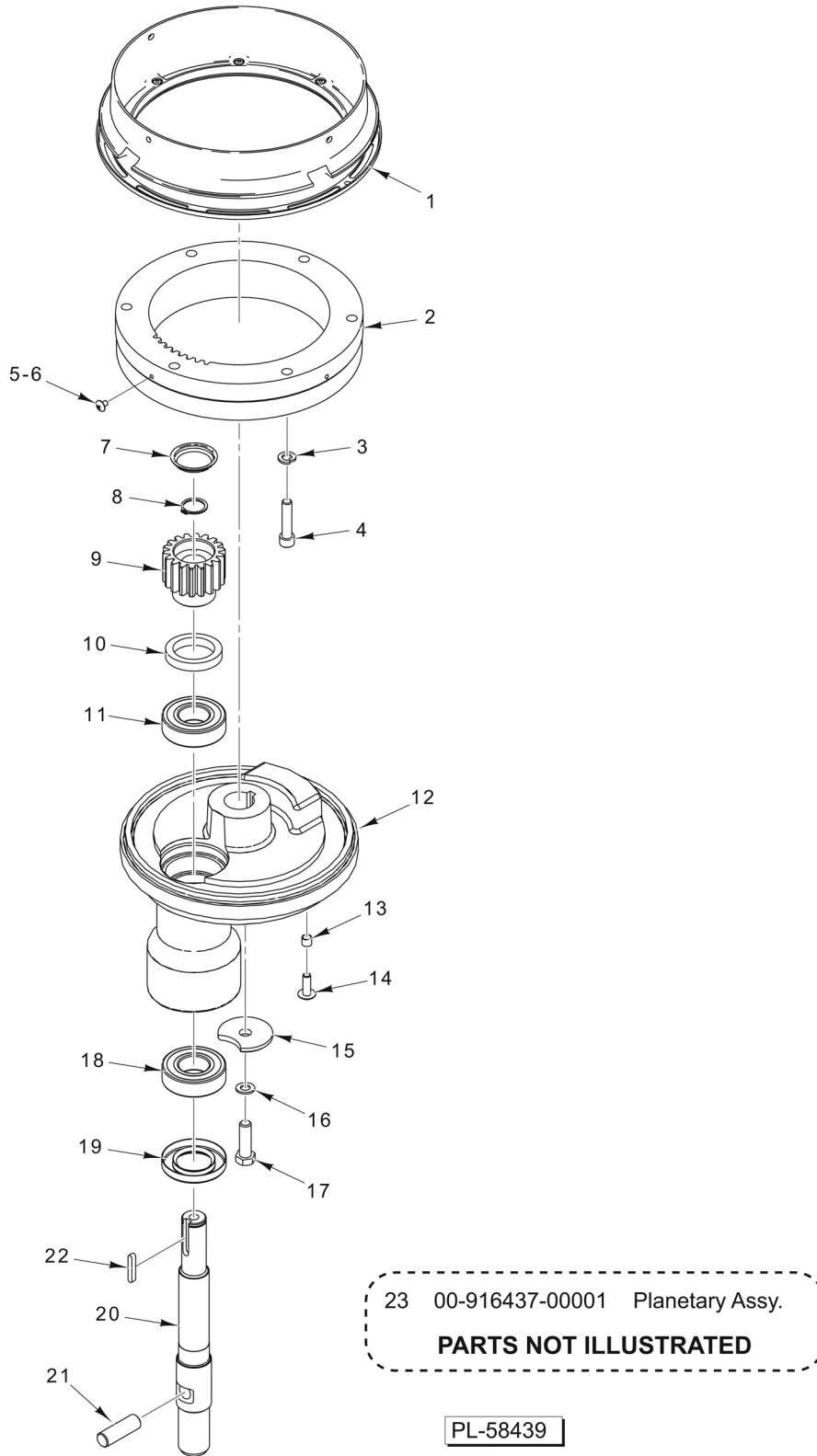


PL-58438

TRANSMISSION

TRANSMISSION

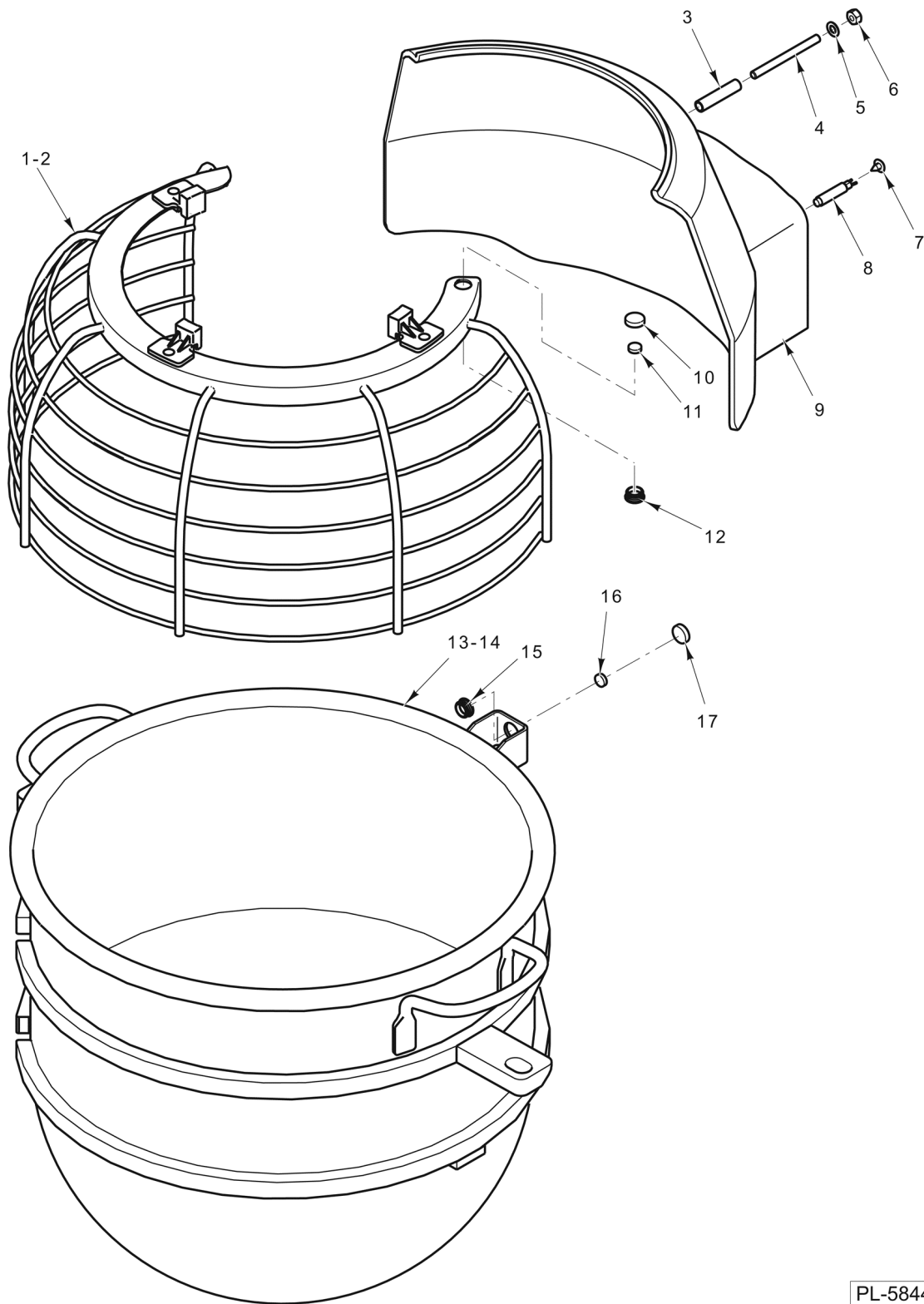
ILLUS.	PART NO.	NAME OF PART	AMT.
PL-58438			
1	SC-089-01	Cap Screw 1/4-20 x 1/2 Hex Socket Hd.....	4
2	00-937473	Nut 3/4-16 (LH Thread).....	2
3	00-916439-00002	Retainer - Planetary.....	1
4	BB-005-34	Bearing - Ball.....	1
5	SC-047-09	Set Screw 1/4-20 x 1/4 Hex Hdls., Cup Pt.....	AR
6	00-064871	Plug - Friction.....	1
7	00-916665	Spacer - Upper Planetary.....	1
8	00-070020-00002	Gear - Bevel (46T).....	1
9	00-012430-00134	Key.....	1
10	00-916667	Shaft - Planetary.....	1
11	00-012430-00136	Key.....	1
12	00-916666	Gear - Helical (51T).....	1
13	BB-015-08	Bearing - Ball.....	1
14	00-110334	Seal - Planetary.....	1
15	00-067500-00068	O-Ring.....	1
16	00-916663	Spacer - Lower Planetary.....	1
17	00-012430-00158	Key.....	1
18	SL-005-04	Spring - Loading.....	1
19	BB-005-34	Bearing - Ball.....	1
20	00-916340	Shaft - Worm Gear.....	1
21	00-012430-00138	Key 1/4 Sq. x 3/4 Lg.....	1
22	00-916339	Gear - Worm.....	1
23	00-916357	Spacer - Input Shaft.....	1
24	00-916358	Spacer - Upper Input Shaft.....	1
25	BB-021-21	Bearing - Ball.....	1
26	00-916438	Retainer - Wormwheel.....	1
27	WL-012-04	Lockwasher N.D. #W-03.....	1
28	NS-034-04	Lock Nut N.D. #N-03.....	1
29	SC-089-02	Cap Screw 1/4-20 x 3/4 Hex Socket Hd.....	4
30	00-271301-00002	Sleeve - Worm Gear Adjustment.....	AR



PLANETARY

PLANETARY

ILLUS.	PART NO.	NAME OF PART	AMT.
PL-58439			
1	00-916363	Flange - Dripcup.....	1
2	00-916416-00001	Gear - Internal.....	1
3	WL-003-48	Lockwasher 5/16 High Collar.....	6
4	SC-089-19	Cap Screw 5/16-18 x 1-3/8 Hex Socket Hd.....	6
5	SC-066-13	Mach. Screw 8-32 x 1/4 Phil. Truss Hd. (SST).....	3
6	SC-128-73	Mach. Screw 8-32 x 1/4 Tx. Button Hd. (SST) (ML-134358).....	3
7	00-064871	Plug - Friction.....	1
8	RR-004-06	Retaining Ring.....	1
9	00-916461	Pinion - Agitator Shaft.....	1
10	00-916563	Seal - Upper Agitator Shaft.....	1
11	BB-020-06	Ball Bearing (Fafnir 204KDFA51580).....	1
12	00-916435	Planetary.....	1
13	00-874770	Spacer - Bowl Scraper.....	2
14	SC-053-46	Mach. Screw 1/4-20 x 3/4 Slotted Truss Hd. (SST).....	2
15	00-917743	Washer - Planetary Assy.....	1
16	WL-006-27	Lockwasher 3/8 Helical (SST).....	1
17	SC-062-58	Cap Screw 3/8-24 x 1-1/4 Hex Hd.....	1
18	BB-017-36	Ball Bearing - SKF #6205Z.....	1
19	00-110335	Seal - Agitator Shaft.....	1
20	00-916457	Shaft - Agitator.....	1
21	00-070019	Pin - Agitator.....	1
22	00-012430-00142	Key 1/4 x 1/4 x 1.....	1
23	00-916437-00001	Planetary Assy. (Incls. Items 7 thru 14 & 18 thru 21).....	1

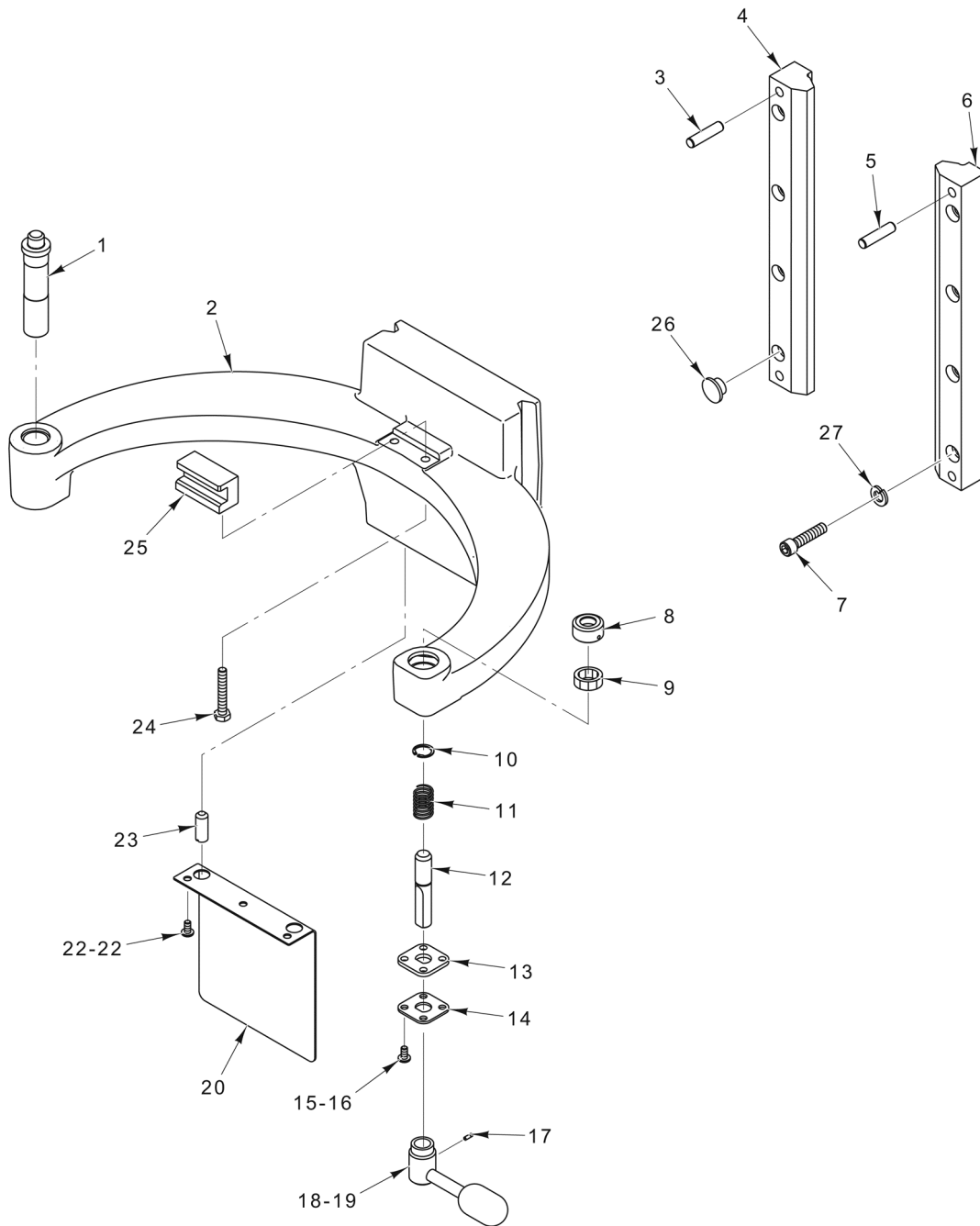


PL-58440

BOWL AND BOWL GUARD

BOWL AND BOWL GUARD

ILLUS.	PART NO.	NAME OF PART	AMT.
PL-58440			
1	00-937210-00001	Wire Cage Assy. (Incls. Items 10, 11, & 12) (ML-134351 & ML-141097).....	1
2	00-937210-00002	Wire Cage Assy. (Incls. Items 10, 11, & 12) (ML-134358).....	1
3	00-916610	Spacer - Splash Guard.....	4
4	00-916671	Rod - Splash Guard.....	4
5	WS-003-19	Washer.....	4
6	NS-013-02	Nut 1/4-20 Hex.....	4
7	SD-034-19	Self-Tapping Screw 10-16 x 3/8 Phil. Truss Hd., Type AB.....	1
8	00-087711-00352	Switch - Reed.....	1
9	00-917228	Guard - Splash Back.....	1
10	00-917357	Holder - Magnet (Upper).....	1
11	00-874875	Magnet - Disc.....	1
12	00-917358	Holder - Magnet (Lower).....	1
13	00-916617	Bowl Assy. (20 Qt.).....	1
14	00-916616	Bowl Assy. (30 Qt.).....	1
15	00-917358	Holder - Magnet (Lower).....	1
16	00-874875	Magnet - Disc.....	1
17	00-917357	Holder - Magnet (Upper).....	1

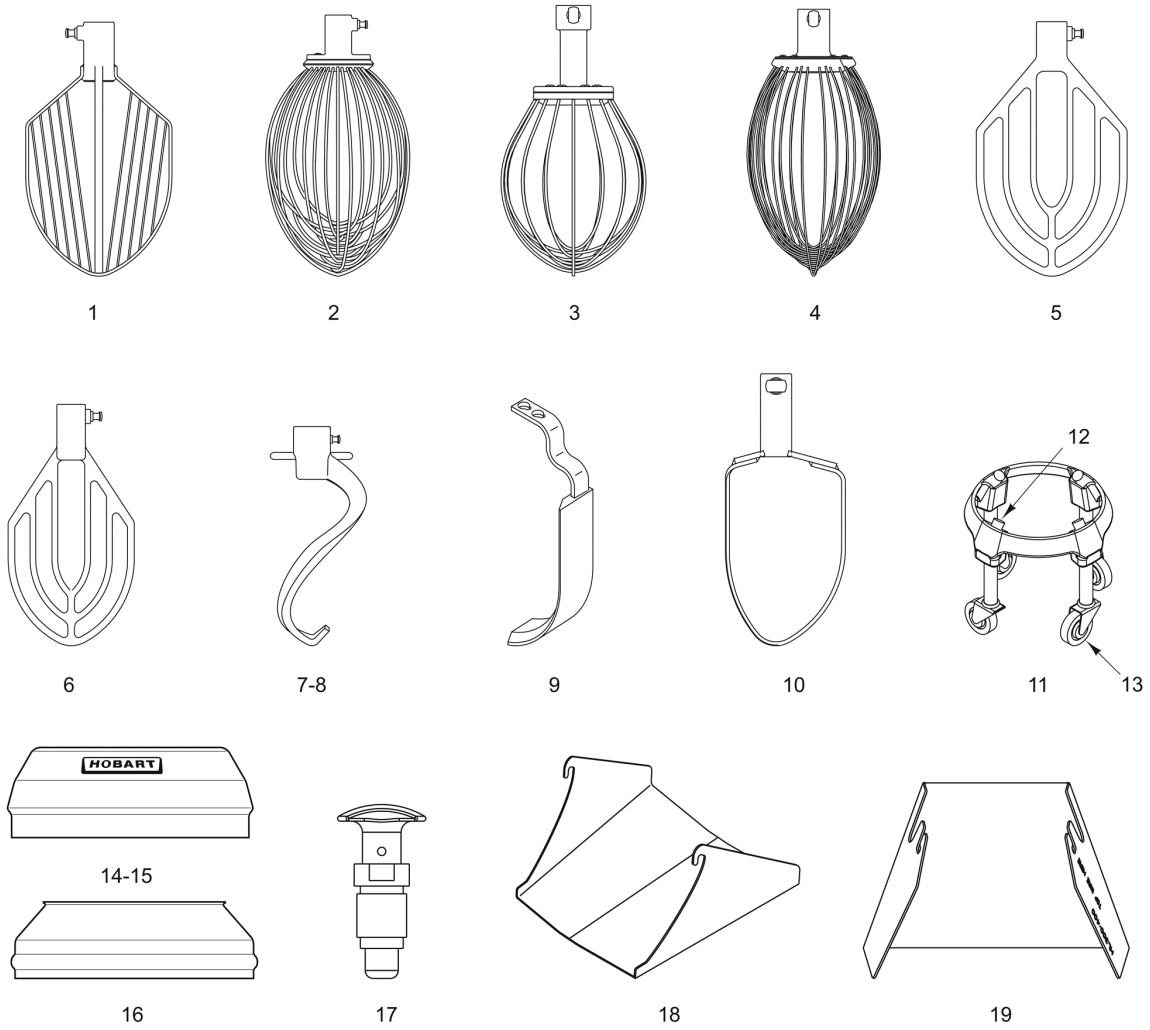


PL-58436

BOWL SUPPORT

BOWL SUPPORT

ILLUS.	PART NO.	NAME OF PART	AMT.
PL-58436			
1	00-916516	Pin - Bowl (LH).....	1
2	00-916497	Support - Bowl.....	1
3	00-011800-00141	Dowel 1/16 x 1-3/16.....	2
4	00-916365-00001	Slideway - Bowl Lift (LH).....	1
5	00-011800-00141	Dowel 1/16 x 1-3/16.....	2
6	00-916365-00002	Slideway - Bowl Lift (RH).....	1
7	SC-089-19	Cap Screw 5/16-18 x 1-3/8 Hex Socket Hd.....	8
8	00-916501	Ramp.....	1
9	00-916502	Bushing - Split.....	1
10	RR-012-47	Retaining Ring SST.....	1
11	00-916488	Spring - Compression.....	1
12	00-916505	Pin - Bowl (RH).....	1
13	00-916550	Glide - Bowl Release.....	1
14	00-916506	Plate - Bowl Release.....	1
15	SC-093-23	Mach. Screw 10-24 x 3/8 Phil. Pan Hd.....	4
16	SC-128-64	Mach. Screw 1/4-20 x 1 Tx. Flat Hd. (SST) (ML-134358).....	4
17	SC-047-74	Set Screw 8-32 x 1/4 Hdls. Cup Pt.....	1
18	00-916504-00002	Handle - Security Bowl Release (ML-134358).....	1
19	00-916504-00001	Handle - Bowl Release (ML-134351 & ML-141097).....	1
20	00-916470	Apron - Lower.....	1
21	SC-093-23	Mach. Screw 10-24 x 3/8 Phil. Pan Hd.....	3
22	SC-128-69	Mach. Screw 10-24 x 3/8 Tx. Button Hd. (ML-134358).....	3
23	SC-129-59	Set Screw 3/8-16 x 1.....	2
24	SC-097-15	Cap Screw 1/4-20 x 1-5/8 Hex Hd.....	2
25	00-916515	Catch - Rear Bowl.....	1
26	PB-004-96	Cap.....	8
27	WL-003-48	Lockwasher 5/16 High Collar.....	8



PL-58466

AGITATORS AND ACCESSORIES

AGITATORS AND ACCESSORIES

ILLUS.	PART NO.	NAME OF PART	AMT.
PL-58466			
1	00-916573	"C" Wire Whip (30 & 40 Qt.) (Packaged) (Incls. Item 17).....	1
2	00-916598	"D" Wire Whip (20 Qt.) (Packaged) (Incls. Item 17).....	1
3	00-916520	"I" Wire Whip (30 & 40 Qt.) (Packaged) (Incls. Item 17).....	1
4	00-916421	"D" Wire Whip (30 & 40 Qt.) (Packaged) (Incls. Item 17).....	1
5	00-916372	"B" Beater (30 & 40 Qt.) (Packaged) (Incls. Item 17).....	1
6	00-916582	"B" Flat Beater (20 Qt.) (Packaged) (Incls. Item 17).....	1
7	00-916827	"ED" Dough Arm (20 Qt.) (Packaged) (Incls. Item 17).....	1
8	00-916618-00001	"ED" Hook (30 & 40 Qt.) (Packaged) (Incls. Item 17).....	1
9	00-916838	Bowl Scraper (30 Qt.) (Packaged).....	1
10	00-916481	"P" Pastry Knife (30 & 40 Qt.) (Packaged) (Incls. Item 17).....	1
11	00-916883	Bowl Truck Assy.....	1
12	00-018682-00001	Foot.....	4
13	00-087668-00002	Caster.....	4
14	00-438079	Splash Cover & Bowl Extension (20 Qt.) (Packaged) (Lexan).....	1
15	00-438080	Splash Cover Assy. - 30 Qt. (Packaged) (Lexan).....	1
16	00-875677	Splash Cover (20 Qt.) (Packaged) (SST).....	1
17	00-874753	Plunger Assy.....	1
18	00-916684	Ingredient Chute (20 Qt.) (Packaged).....	1
19	00-438607	Ingredient Chute (30 Qt.) (Packaged).....	1

