

# **AM50E DISHWASHERS**

## **PARTS MANUAL**



HOBART FOOD EQUIPMENT CO.,LTD

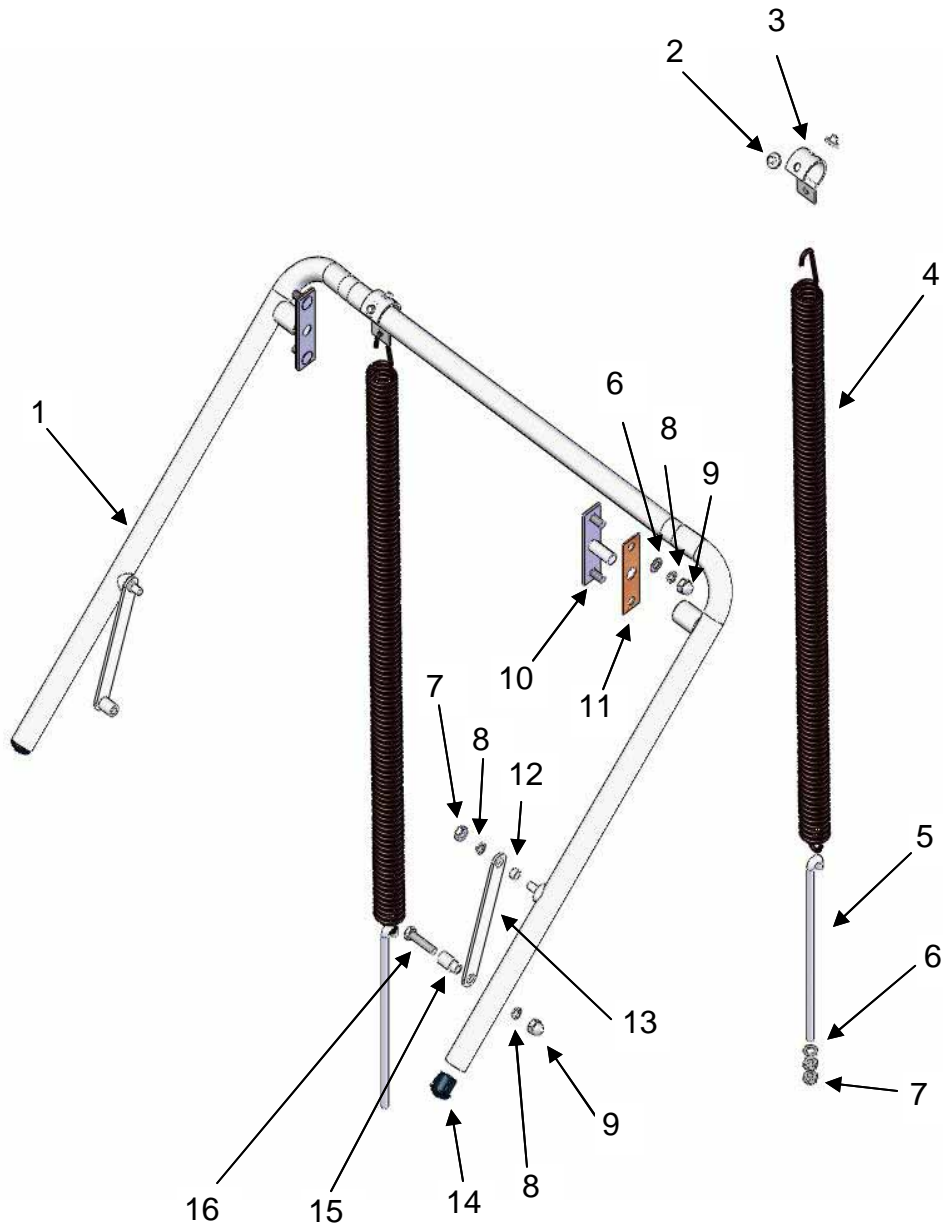
FORM 7153072E

# CONTENTS

DOOR LIFT.....	1
WASH CHAMBER AND DOORS.....	3
WASH AND RINSE SYSTEM.....	5
WASH TANK.....	7
LOWER FRAME ASSEMBLY.....	9
WATER INLET AND BOOSTER.....	11
WATER INLET AND BOOSTER (WITH RINSE PUMP).....	13
CONTROL BOX.....	15
ENCLOSURE PANELS.....	17
SPARE PARTS.....	19

---

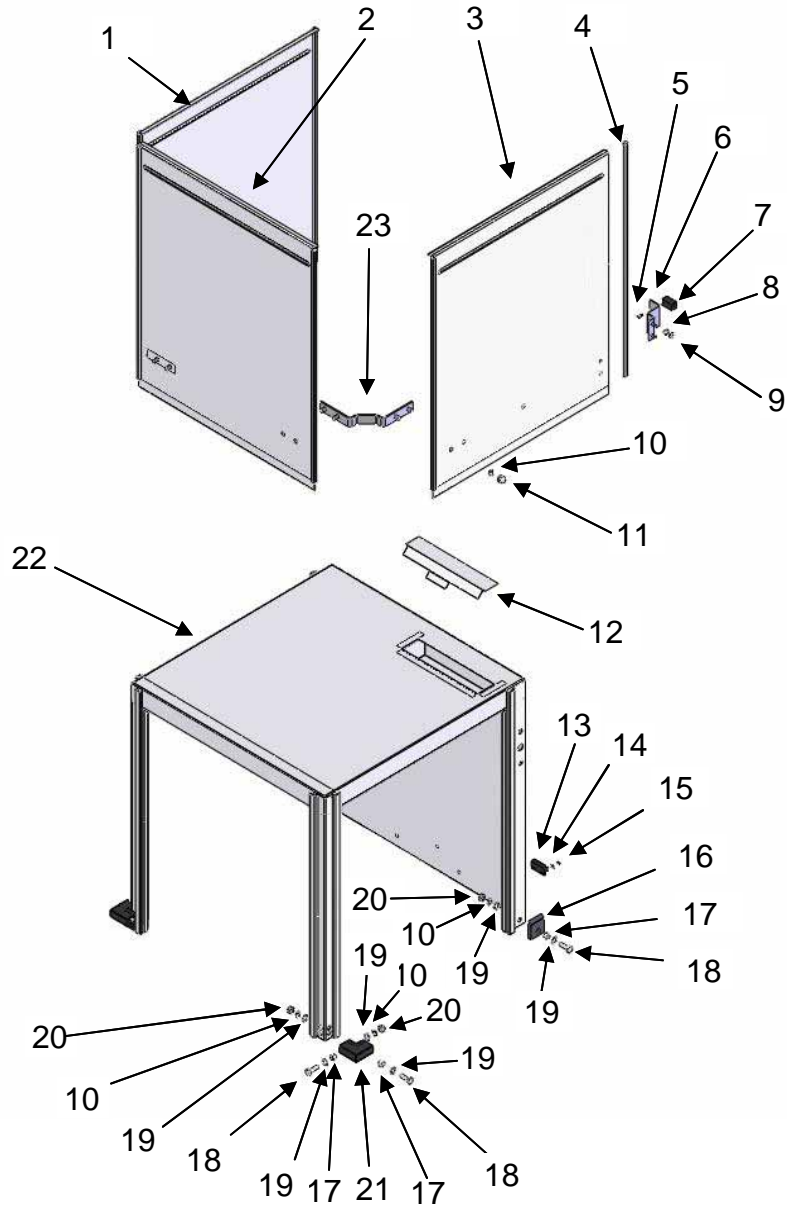
# DOOR LIFT



## DOOR LIFT

	<b>PART NO.</b>	<b>NAME OF PART</b>	<b>AMT.</b>
1	743251	Door Lift Assy	1
2	119055	Button-Bearing	4
3	79008	Hanger-Spring	2
4	743258	Spring	2
5	743282	Hook-Spring	2
6	WS-M8	Washer M8	34
7	NS-M8	Nut M8	20
8	WL-M8	Lock Washer M8	24
9	NC-M8	Nut M8 Crown	14
10	743268	Bearing Bracket & Pin Assy	2
11	473432	Gasket-Door Lift	2
12	74068	Spacer-Door	2
13	119011	Link-Door	2
14	474831	Plug-Handle	2
15	119046	Pin-Door Lift	2
16	SCH-M8-35	Bolt M8x35	2

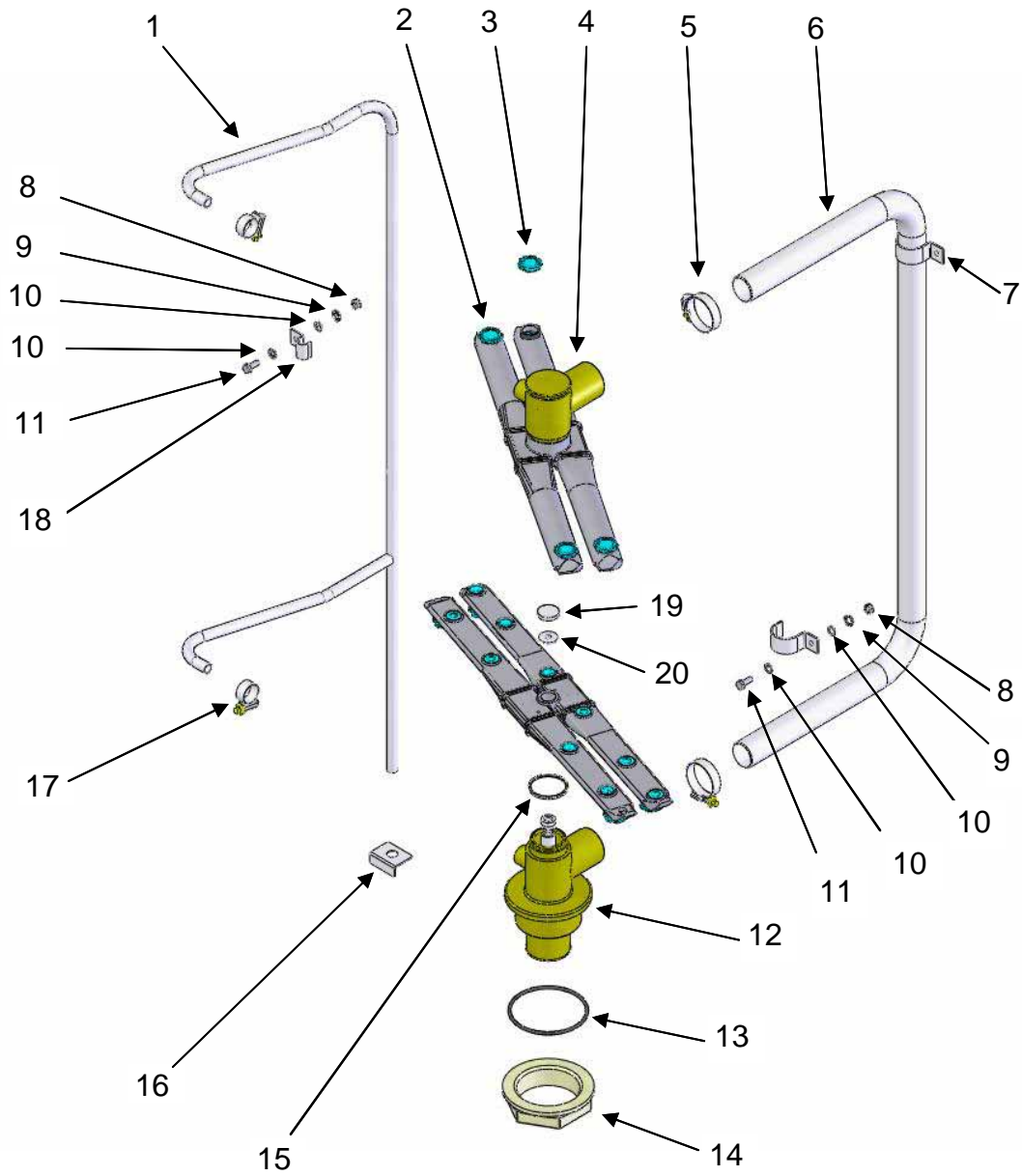
# WASH CHAMBER AND DOORS



## WASH CHAMBER AND DOORS

	<b>PART NO.</b>	<b>NAME OF PART</b>	<b>AMT.</b>
1	743256	Door-Left	1
2	743250	Door Front	1
3	743257	Door-Right	1
4	112378-23	Guide-Door	7
5	SDT-M3-12	Bolt Self Screw M3x12	2
6	743368	Bracket-Magnet	1
7	743269	Magnet	1
8	WL-M6	Lock Washer M6	12
9	NS-M6	Nut M6	20
10	WL-M8	Lock Washer M8	24
11	NC-M8	Nut M8 Crown	14
12	7153041	Vent Flapper	1
13	743271	Reed Switch-Door	1
14	WS-M3	Washer M3	2
15	NS-M3	Nut M3	2
16	743316	Insert- Tank Corner (Rear)	2
17	743306	Spacer-Tank & Chamber	6
18	SCH-M8-25	Bolt M8x25	10
19	WS-M8	Washer M8	34
20	NS-M8	Nut M8	20
21	7153035	Insert- Tank & Chamber (Front)	2
22	743252	Chamber	1
23	743305	Bracket-Door Lift	2

# WASH AND RINSE SYSTEM

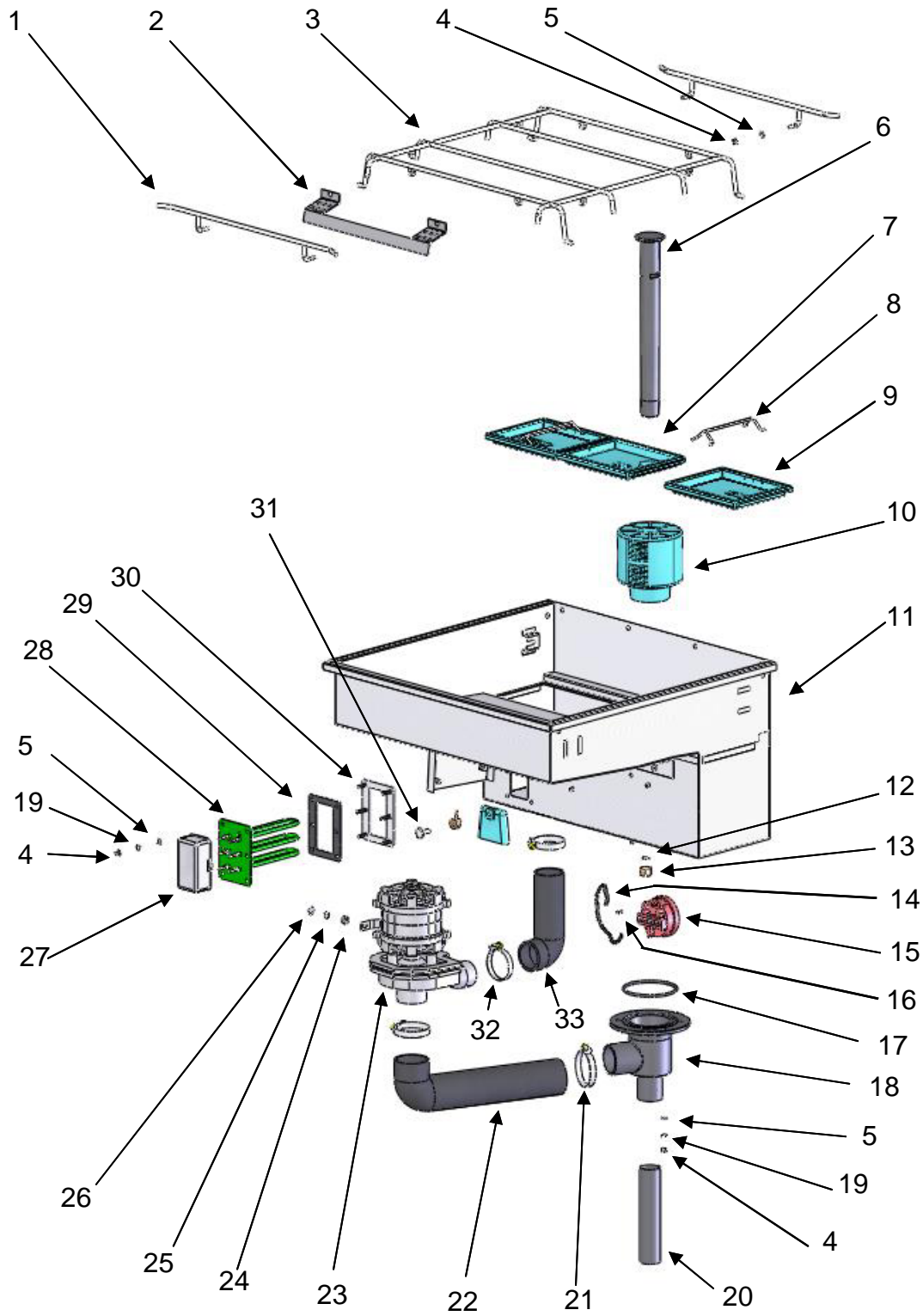


## WASH AND RINSE SYSTEM

	<b>PART NO.</b>	<b>NAME OF PART</b>	<b>AMT.</b>
1	7153009	Rinse Piping Assy	1
2	7153042	Wash/Rinse Arm Assy	2
3	7153048	Cleaning Plug	4
4	7153000	Upper Manifold/Shaft Assy	1
5	7153074	Clamp- 40mm	3
6	7153060	Wash Pipe	1
7	743263	Clamp- Wash Piping	2
8	NS-M6	Nut M6	20
9	WL-M6	Lock Washer M6	13
10	WS-M6	Washer M6	61
11	SCH-M6-15	Bolt M6x15	13
12	7153003	Lower Manifold/Shaft Assy	1
13	7153062	"O" ring 3.55x84.6	1
14	473460	Nut-Manifold	1
15	775736-001	Ring-Arm	2
16	7153053	Cover Piece-Rinse Piping	1
17	7153073	Clamp-30mm	2
18	743263-1	Clamp-Rinse Piping	1
19	775757-001	Bolt-Arm	2
20	7153001	Washer-Arm Bolt	2



# WASH TANK

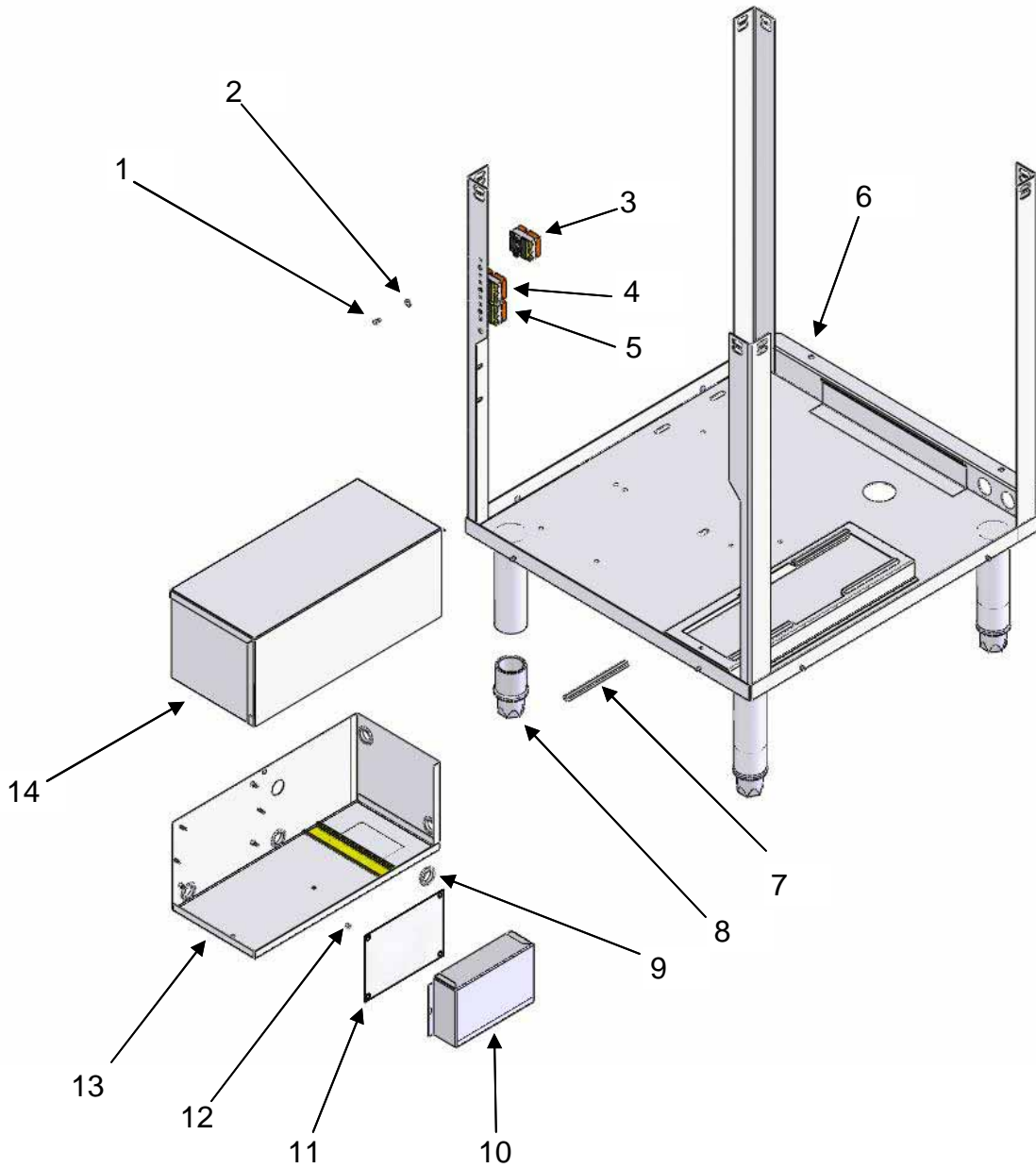


---

## WASH TANK

	<b>PART NO.</b>	<b>NAME OF PART</b>	<b>AMT.</b>
1	743295	Track-Side Rail	2
2	743270	Plate-Splash Protection	1
3	743265	Rack-Rack	1
4	NS-M6	Nut M6	55
5	WS-M6	Washer M6	75
6	743302	Overflow Pipe	1
7	7153005	Strainer Pan-Middle	1
8	7153054	Handle-Strainer Pan	4
9	7153006	Strainer Pan-Side	2
10	7153008	Strainer-Pump Intake	1
11	7153026	Tank	1
12	67500-6	"O" Ring 12.5x1.8	1
13	743293	Nut-Sealed	1
14	743303	Pressure Switch Tube	1
15	231981-1	Pressure Switch	1
16	SDT-M4-12	Bolt-Self Screw M3x12	1
17	7153066	"O" Ring 5.3x99.6	1
18	7153007	Drain Flange	1
19	WL-M6	Lock Washer M6	54
20	7153058	Drain Tube	1
21	538412	Clamp-70mm	2
22	7153051	Hose-Wash Pump Inlet	1
23	7153055	Wash Pump (200-220V/50/1)	1
	7153055-1	Wash Pump (200-220V/60/1)	
24	NS-M8	Nut M8	20
25	WL-M8	Lock Washer M8	24
26	WS-M8	Washer M8	34
27	743313	Cover-Heater Terminal	3
28	743278	Tank Heater (220/380V 2kW)	1
	743278-2	Tank Heater (220/380V 3kW)	
	743278-4	Tank Heater (200V 3kW)	
	743278-5	Tank Heater (200V 2kW)	
29	743312	Gasket-Heater	3
30	743279	Plate-Heater Mounting	1
31	324858	Air Chamber	1
32	521687	Clamper-50mm	2
33	7153052	Hose-Wash Pump Outlet	1

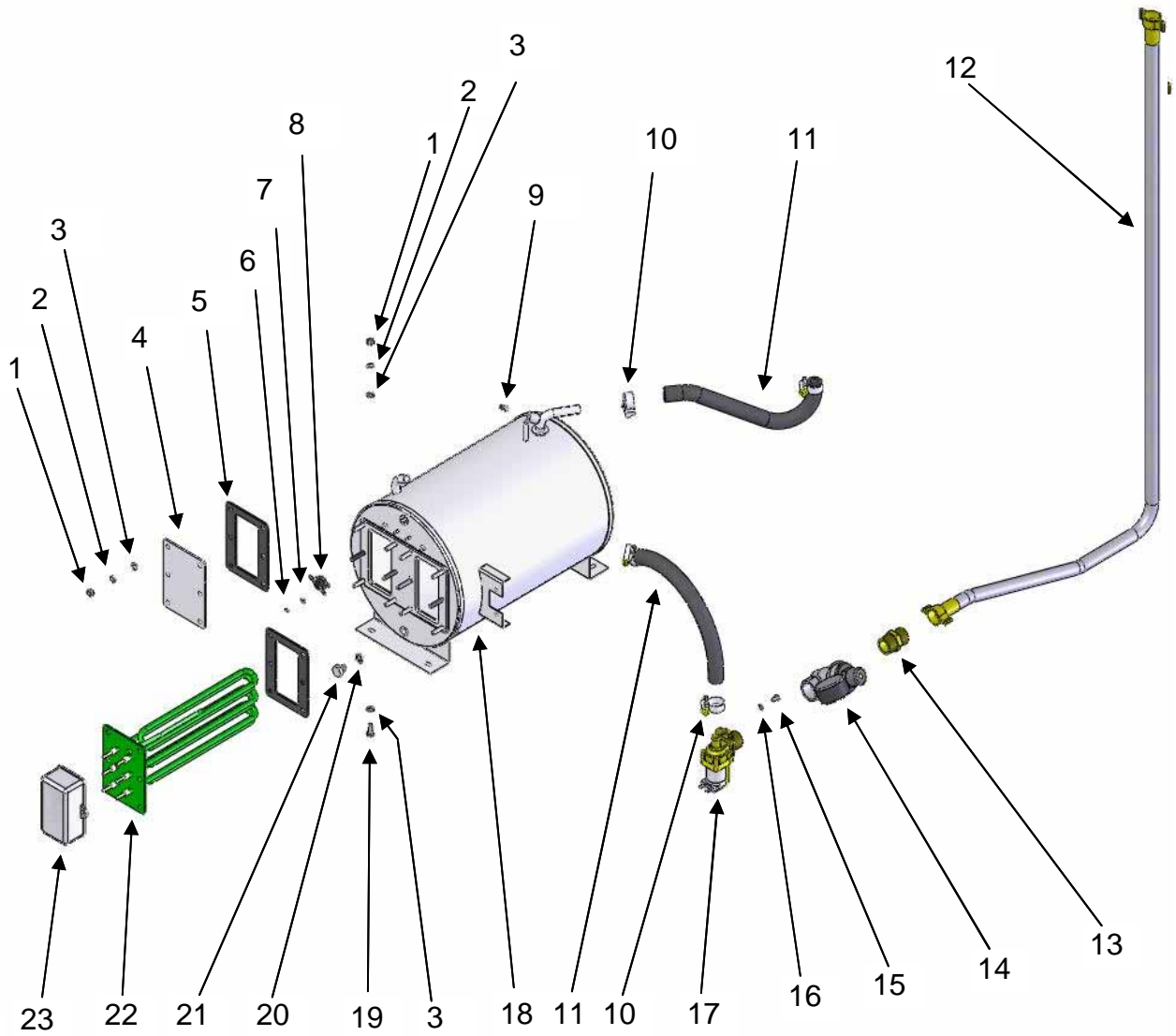
# LOWER FRAME ASSEMBLY



## LOWER FRAME ASSEMBLY

	<b>PART NO.</b>	<b>NAME OF PART</b>	<b>AMT.</b>
1	SCT-M4-6	Bolt M4x6	6
2	WS-M4	Washer M4	6
3	7112001	Thermostat 86C	1
4	743310	Thermostat 70C	1
5	743310-1	Thermostat 82C	1
6	743254	Lower Frame Assy	1
7	112378-23	Guide Bar	7
8	743255	Foot 2"	4
9	15260151	Rubber Ring	5
10	743370	Hood-Control Board	1
11	743370-1	Plate-Insulation	1
12	743374	Supporter-Control Board	4
13	743366	Control Box	1
14	743365	Cover-Control Box	1

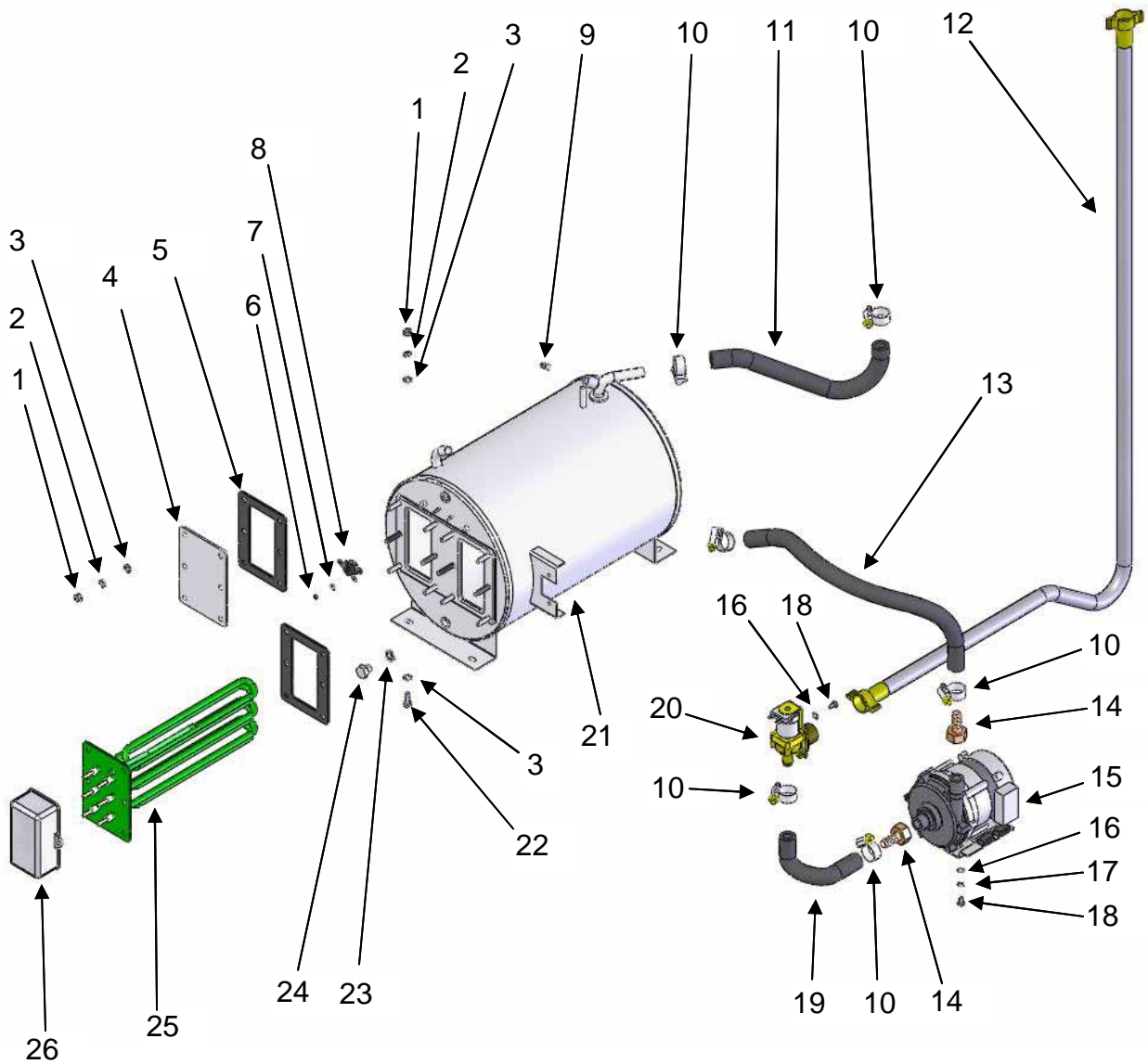
# WATER INLET AND BOOSTER



**WATER INLET AND BOOSTER**

	<b>PART NO.</b>	<b>NAME OF PART</b>	<b>AMT.</b>
1	NS-M8	Nut M8	20
2	WL-M8	Lock Washer M8	24
3	WS-M8	Washer M8	34
4	743318	Cover-Booster Heater	1
5	743312	Gasket-Heater	3
6	NS-M3	Nut M3	4
7	WS-M3	Washer M3	3
8	7153078	High Limit	1
9	743338	Pipe Plug 1/8"	2
10	743315	Clamp-25mm	4
11	7153013	Hose-Booster	2
12	324088-1	Fill hose	1
13	743268	Screw-G3/4"	1
14	743859	Reducer Value	1
15	SCT-M5-10	Bolt M5x10	2
16	WS-M5	Washer M5	8
17	324207-1	Inlet Valve	1
18	7153014	Booster	1
19	SCH-M6-20	Bolt M6x20	4
20	743311	Washer-Combination M10	1
21	SCH-M10-10	Bolt M10x10	1
22	743314-2	Booster Heater (220/380V 6kW)	1
23	743313	Cover-Heater Terminal	2

# WATER INLET AND BOOSTER (WITH RINSE PUMP)



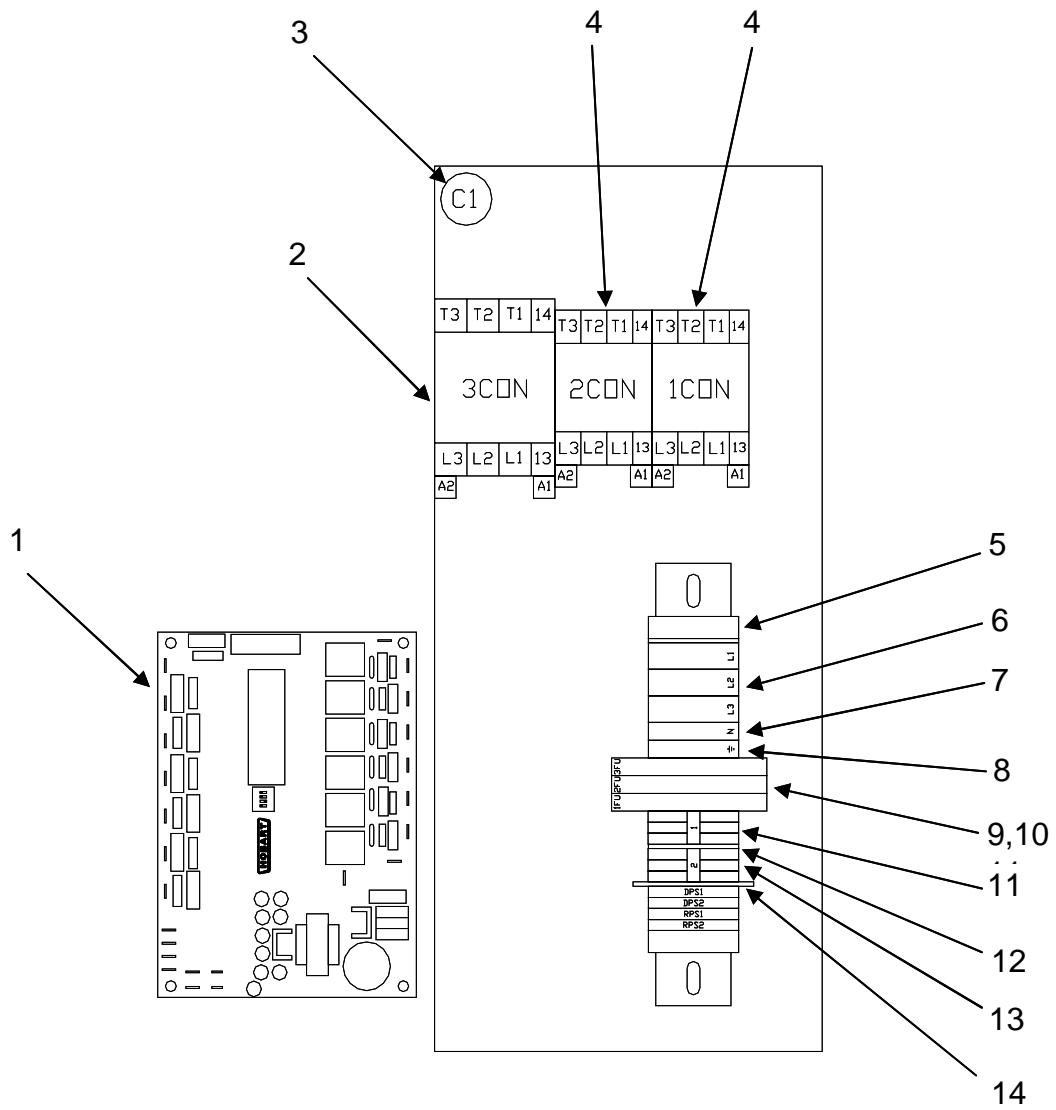
---

## WATER INLET AND BOOSTER (WITH RINSE PUMP)

	<b>PART NO.</b>	<b>NAME OF PART</b>	<b>AMT.</b>
1	NS-M8	Nut M8	20
2	WL-M8	Lock Washer M8	24
3	WS-M8	Washer M8	34
4	743318	Cover-Booster Heater	1
5	743312	Gasket-Heater	3
6	NS-M3	Nut M3	4
7	WS-M3	Washer M3	3
8	7153078	High Limit	1
9	743338	Pipe Plug 1/8"	2
10	743315	Clamp-25mm	4
11	7153013	Hose-Booster	2
12	324088-1	Fill Hose	1
13	7153013-2	Hose-Rinse Pump Outlet	1
14	7618010	Connecter-Rinse Pump	2
15	7618008	Rinse Pump (220V 50/60Hz)	1
16	WS-M5	Washer M5	12
17	WL-M5	Lock Washer M5	4
18	SCT-M5-10	Bolt M5x10	6
19	7153013-1	Hose-Rinse Pump Inlet	1
20	324207-1	Fill Valve	1
21	7153014	Booster	1
22	SCH-M6-20	Bolt M6x20	4
23	743311	Washer-Combination M10	1
24	SCH-M10-10	Bolt M10x10	1
25	743314-2	Booster Heater (220/380V 6kW)	1
26	743313	Cover-Heater Terminal	2



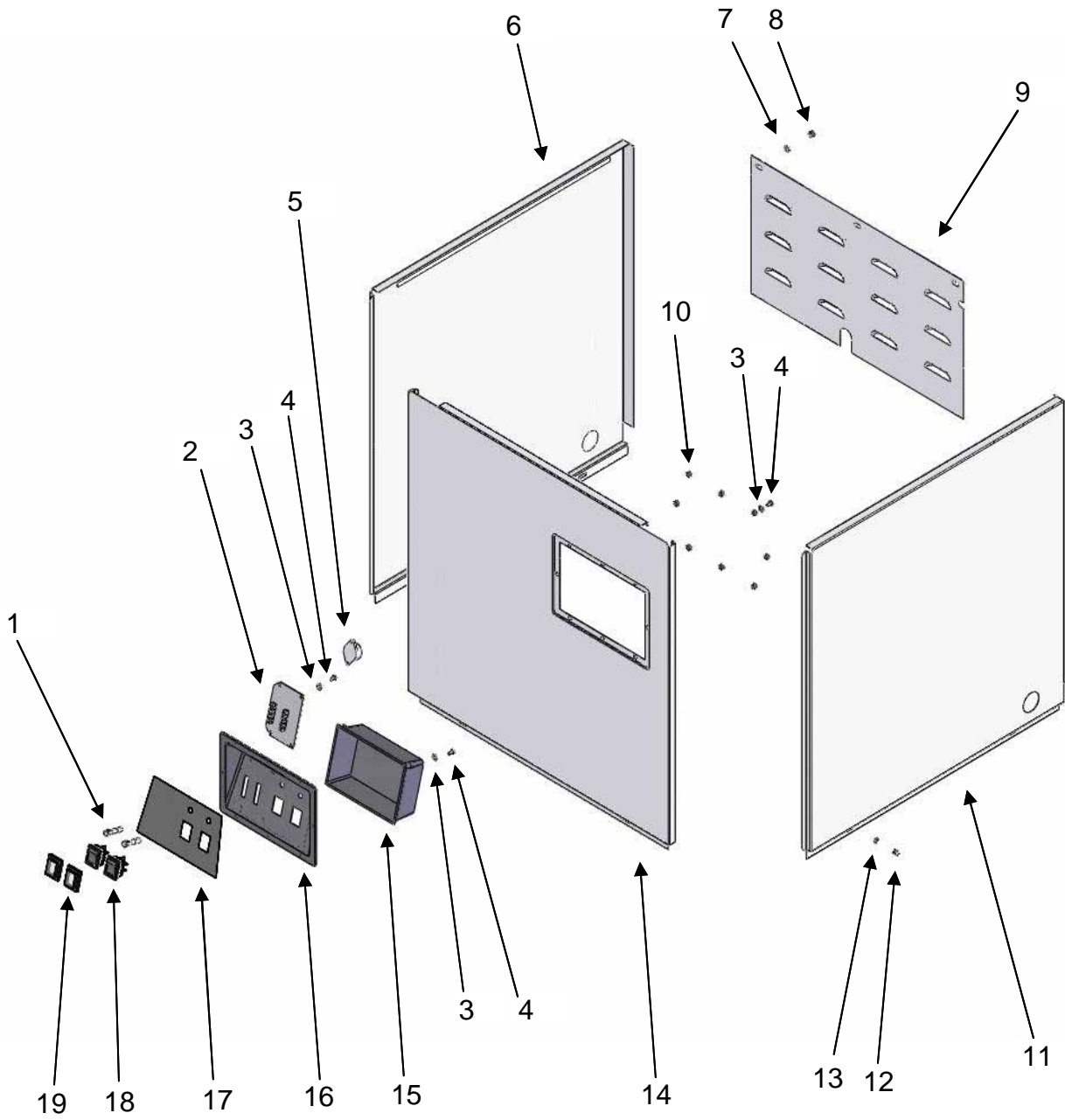
# CONTROL BOX



## CONTROL BOX

	<b>PART NO.</b>	<b>NAME OF PART</b>	<b>AMT.</b>
1	743448T	Control Board	1
2	743401	Contactor32 (For 3853, 2263, 2260)	1
	743403-1	Contactor32 (For 2053, 2063)	
3	743436-1	Capacitor-Wash Pump	1
4	743402	Contactor09 (For 3853, 2263, 2260)	2
	743402-1	Contactor09 (For 2053, 2063)	
5	743431	Holder-Side	2
6	743408	Terminal 6N	3
7	743408-1	Terminal 6N (Blue)	1
8	743406	Terminal-Ground	1
9	743405	Terminal-Fuse	3
10	743407	Fuse 5A 5x20	3
11	743410	Terminal 3N	3
12	743441	Plate-Side	1
13	743410-1	Terminal 3N (Blue)	3
14	743412	Plate-Division	1

# ENCLOSURE PANELS



## ENCLOSURE PANELS

	<b>PART NO.</b>	<b>NAME OF PART</b>	<b>AMT.</b>
1	743432	Indicator Lights	2
2	743379-1	Thermometer	1
3	WS-M4	Washer M4	40
4	SDT-M4-12	Bolt-Self Screw M4x12	12
5	7153084	Beeper	1
6	743259-1	Panel -Left	1
7	WS-M6	Washer M6	26
8	NS-M6	Nut M6	20
9	7163036	Panel-Rear	1
10	743426-4	Washer-Control Panel	8
11	743259	Panel-Right	1
12	NC-M5	Nut M5 Crown	6
13	WS-M5	Washer M5	8
14	743253	Panel-Front	1
15	743426-2	Control Panel-Interior Cover	1
16	743426-1	Control Panel-Exterior Face	1
17	7153057	Faceplate	1
18	743429	Switch	2
19	743431	Switch Cover-Water Protection	2

---

## SPARE PARTS

	<b>PART NO.</b>	<b>NAME OF PART</b>	<b>AMT.</b>
1	775736-001	Ring-Arm	2
2	775757-001	Bolt-Arm	2
3	7153001	Washer-Arm Bolt	2
4	7153013	Hose-Booster	2
5	7153005	Strainer Pan-Middle	1
6	7153006	Strainer Pan-Side	2
7	7153041	Vent Flapper	1
8	7153042	Wash/Rinse Arm Assy	2
9	7153048	Cleaning Plug	4
10	743302	Overflow Pipe	1
11	7153051	Hose-Wash Pump Inlet	1
12	7153052	Hose-Wash Pump Outlet	1
13	743312	Gasket-Heater	3
14	743314-2	Booster Heater (220/380V 6kW)	2
15	743278	Tank Heater (220/380V 2kW)	1
	743278-2	Tank Heater (220/380V 3kW)	
	743278-4	Tank Heater (200V 3kW)	
	743278-5	Tank Heater (200V 2kW)	
16	743313	Cover-Heater Terminal	2
17	324207-1	Inlet Valve	1
18	743859	Reducer	1
19	231981-1	Pressure Switch	1
20	324858	Air Chamber	1
21	743303	Pressure Switch Tube	1
22	743269	Magnet	1
23	743271	Reed Switch-Door	1
24	7153055	Wash Pump (200-220V/50/1)	1
	7153055-1	Wash Pump (200-220V/60/1)	
25	743426-1	Control Panel-Exterior Face	1
26	7153057	Faceplate	1
27	743426-4	Washer-Control Panel	8
28	743429	Switch	2
29	743432	Indicator Lights	2
30	743431	Switch Cover-Water Protection	2
31	743426-2	Control Panel-Interior Cover	1
32	743379-1	Thermometer	1
33	743310	Thermostat 70C	1
34	7112001	Thermostat 86C	1
35	743310-1	Thermostat 82C	1
36	324088-1	Fill Hose	1
37	7153078	High Limit	1

---

**SPARE PARTS**

	<b>PART NO.</b>	<b>NAME OF PART</b>	<b>AMT.</b>
38	7618008	Rinse Pump (220V 50/60Hz)	1
39	7618010	Connecter-Rinse Pump	2
40	7153013-1	Hose-Rinse Pump Inlet	1
41	7153013-2	Hose-Rinse Pump Outlet	1
42	67500-6	"O" Ring 12.5x1.8	1
43	7153065	"O" Ring 2.65x75	1
44	7153066	"O" Ring 5.3x99.6	1
45	521687	Clamp 50mm	2
46	538412	Clamp 70mm	2
47	743315	Clamp 25mm	4
48	7153073	Clamp 30mm	2
49	7153074	Clamp 40mm	3
50	743407	Fuse 5A 5x20	3
51	743448T	Control Board	1
52	7153084	Beeper	1
53	743401	Contactor32 (For 3853, 2263, 2260)	1
	743401-1	Contactor32 (For 2053, 2063)	
54	743402	Contactor09 (For 3853, 2263, 2260)	2
	743402-1	Contactor09 (For 2053, 2063)	
55	743370-1	Plate-Insulation	1