

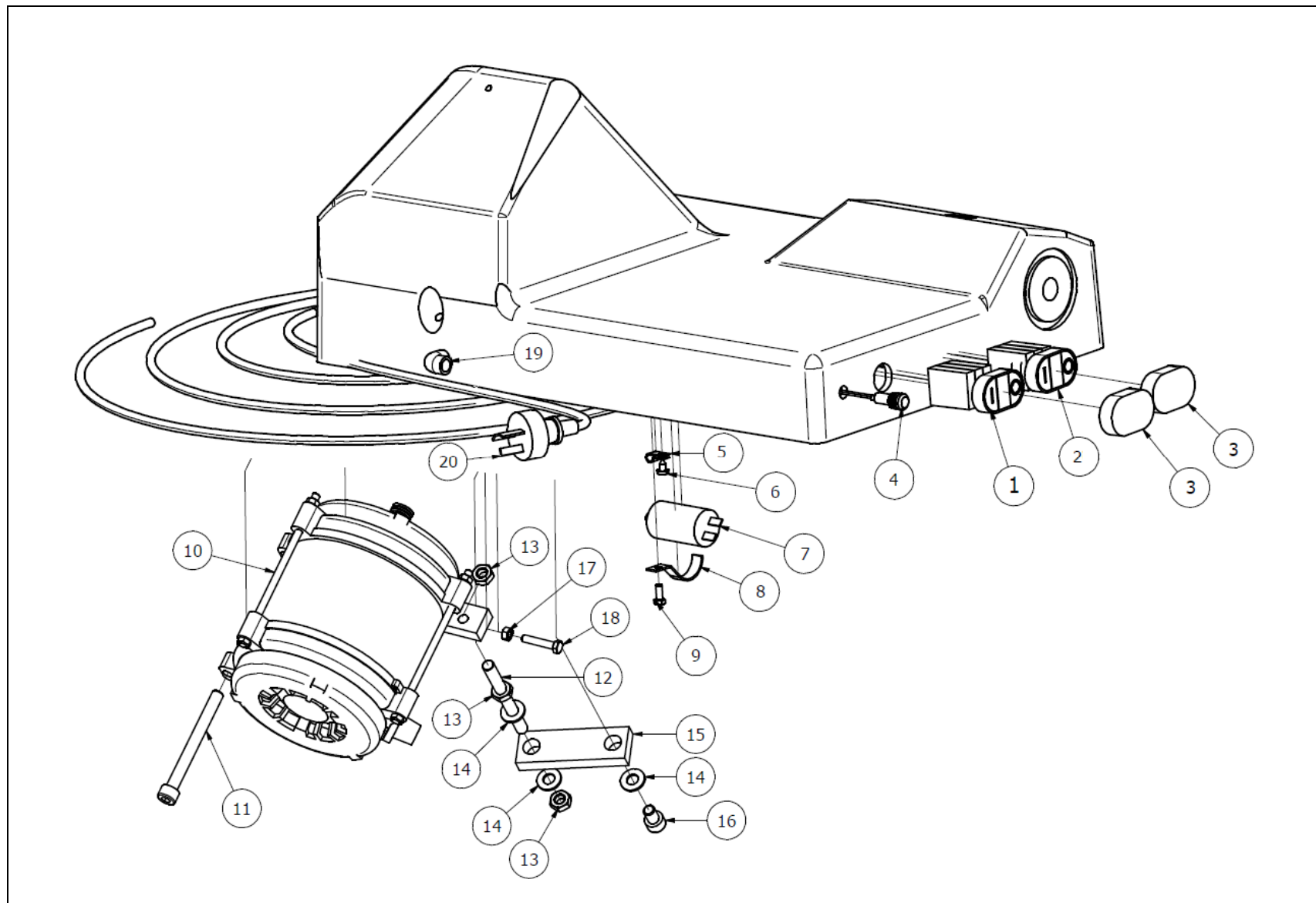
EDGE13A

Automatic slicer

<i>Tab.1 – ELECTRICAL COMPONENTS 1</i>	<i>2</i>
Exploded diagram (Tab.1)	2
Part list (Tab.1)	3
<i>Tab.2 – ELECTRICAL COMPONENTS 2</i>	<i>4</i>
Exploded diagram (Tab.2)	4
Part list (Tab.2)	5
<i>Tab.3 – TRASMISSION, KNIFE AND BASE ASSEMBLY.....</i>	<i>6</i>
Exploded diagram (Tab.3)	6
Part list (Tab.3)	7
<i>Tab.4 – GAUGE PLATE AND INDEX ASSEMBLY.....</i>	<i>8</i>
Exploded diagram (Tab.4)	8
Part list (Tab.4)	9
<i>Tab.5 – CARRIAGE TRANSMISSION</i>	<i>10</i>
Exploded diagram (Tab.5)	10
Part list (Tab.5)	11
<i>Tab.6 – PRODUCT TRAY AND MEAT GRIP</i>	<i>14</i>
Exploded diagram (Tab.6)	14
Part list (Tab.6)	15
<i>Tab.6 – SHARPENER ASSEMBLY</i>	<i>16</i>
Exploded diagram (Tab.6)	16
Part list (Tab.6)	17

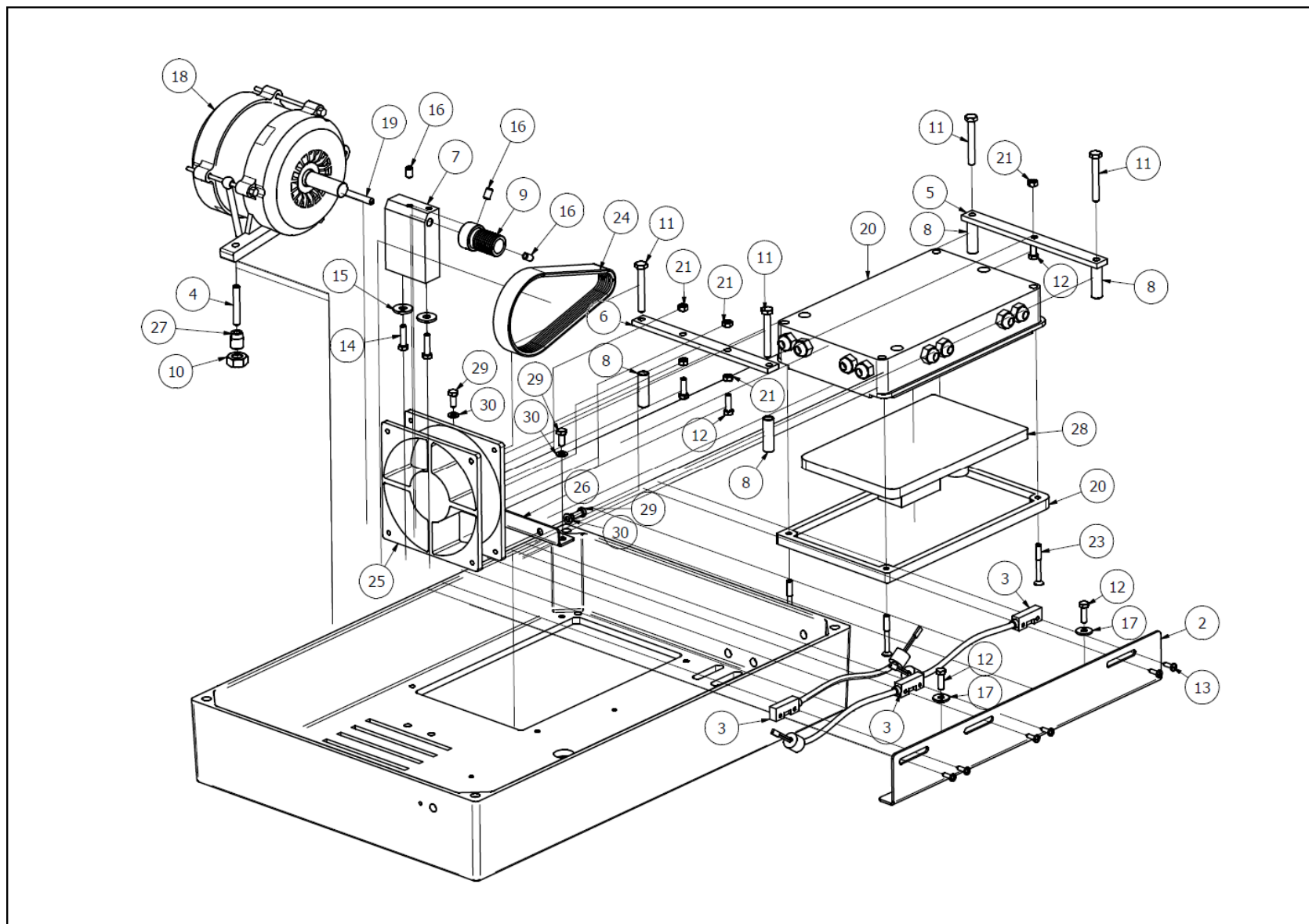
Tab.1 – ELECTRICAL COMPONENTS 1

Exploded diagram (Tab.1)



Part list (Tab.1)

Ref.	Q.ty	Code	Description
1 - tab.1	1	251ACE902	On/off button (black and white)
2 - tab.1	1	251BCE902	On/off button (red and green)
3 - tab.1	1	221ACE253	Cover on7off button
4 - tab.1	1	251A00041A	Pilot light V.110
5 - tab.1	1	6001003	Locking plate
6 - tab.1	1	6954 4.7 12	Screw
7 - tab.1	1	3002003	Capacitor
8 - tab.1	1	22100043	Capacitor fixing plate
9 - tab.1	1	5739 5 12	Screw
10 - tab.1	1	30100048-2	Motor
11 - tab.1	1	5931 8 110	Screw
12 - tab.1	1	30100053	Tie rod motor
13 - tab.1	3	5589 8	Nut
14 - tab.1	3	6592 8 24	Washer
15 - tab.1	1	22100055	Plate
16 - tab.1	1	5931 8 14	Screw
17 - tab.1	1	5588 5	Nut
18 - tab.1	1	5739 5 25	Screw
19 - tab.1	1	6001005	Locking plate
20 - tab.1	1	3004902	Cable+plug

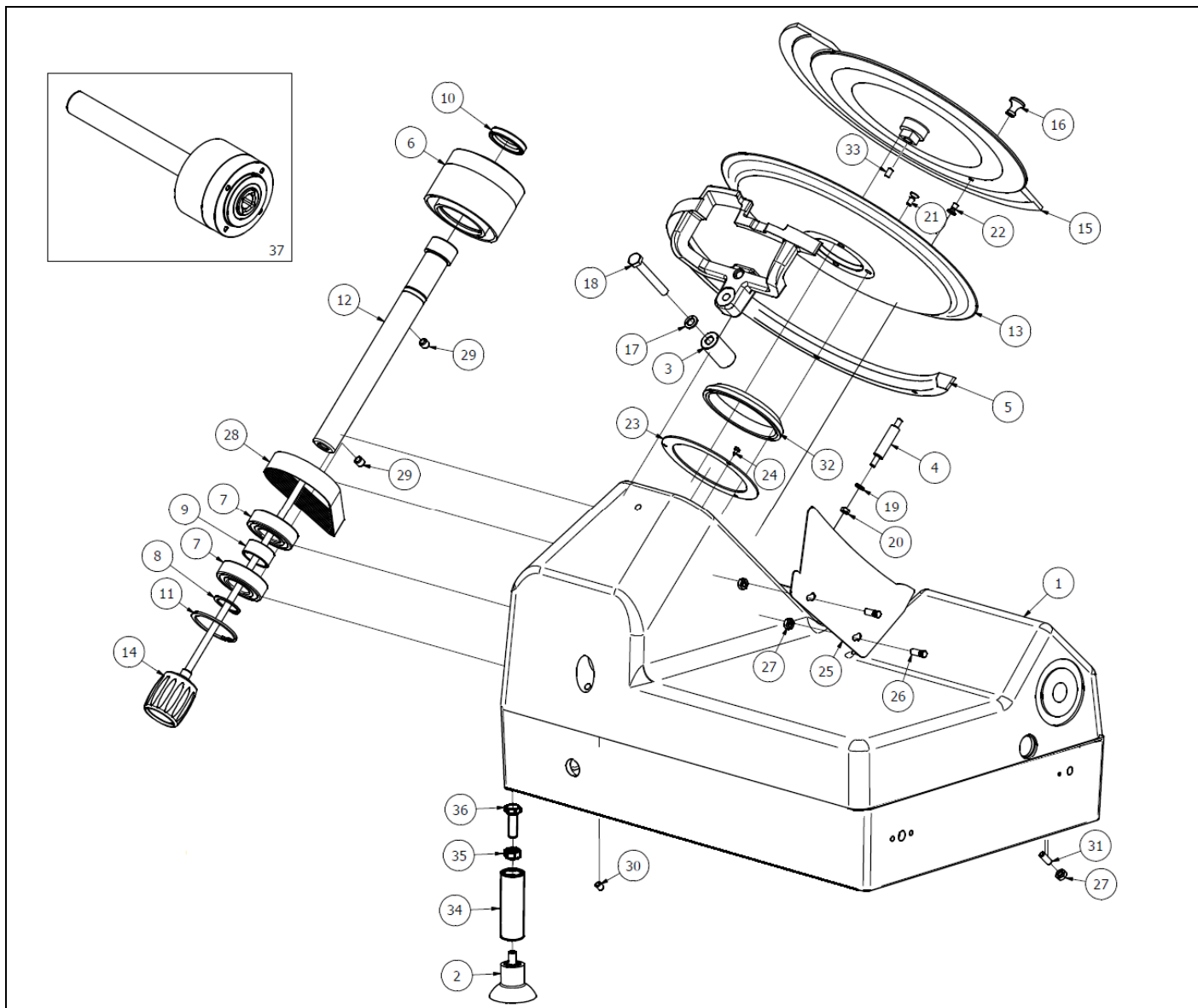
Tab.2 – ELECTRICAL COMPONENTS 2**Exploded diagram (Tab.2)**

Part list (Tab.2)

Ref.	Q.ty	Code	Description
2 - tab.2	1	A301A00246	Magnetic sensor support
3 - tab.2	3	A30100245	Magnetic sensor usually closed
4 - tab.2	1	5923 8 40	Grub screw
5 - tab.2	1	A30100264	Plate
6 - tab.2	1	A30100265	Plate
7 - tab.2	1	A30100266	Motor support
8 - tab.2	4	A30100221	Spacer
9 - tab.2	1	A35100032	Motor pulley
10 - tab.2	1	5588 10	Nut
11 - tab.2	4	5739 6 45	Screw
12 - tab.2	5	5739 5 16	Screw
13 - tab.2	6	6954 3,5 13	Screw
14 - tab.2	2	5739 5 20	Screw
15 - tab.2	2	6593 6 18	Washer
16 - tab.2	3	5923 6 10	Grub screw
17 - tab.2	2	6593 5 15	Washer
18 - tab.2	1	A25100048B	Motor
19 - tab.2	1	30500060	Motor pin
20 - tab.2	1	355CE136	Electric box
21 - tab.2	5	5588 5	Nut
23 - tab.2	4	6109 5 40	Screw
24 - tab.2	1	A30100066	Belt
25 - tab.2	1	A30100248D	Fan V.110
26 - tab.2	1	A30100249	Platefor fan
27 - tab.2	1	35500200	Bushing
28 - tab.2	1	A33100125	Circuit board
29 - tab.2	4	5739 5 12	Screw
30 - tab.2	4	6592 5	Washer

Tab.3 – TRASMISSION, KNIFE AND BASE ASSEMBLY

Exploded diagram (Tab.3)

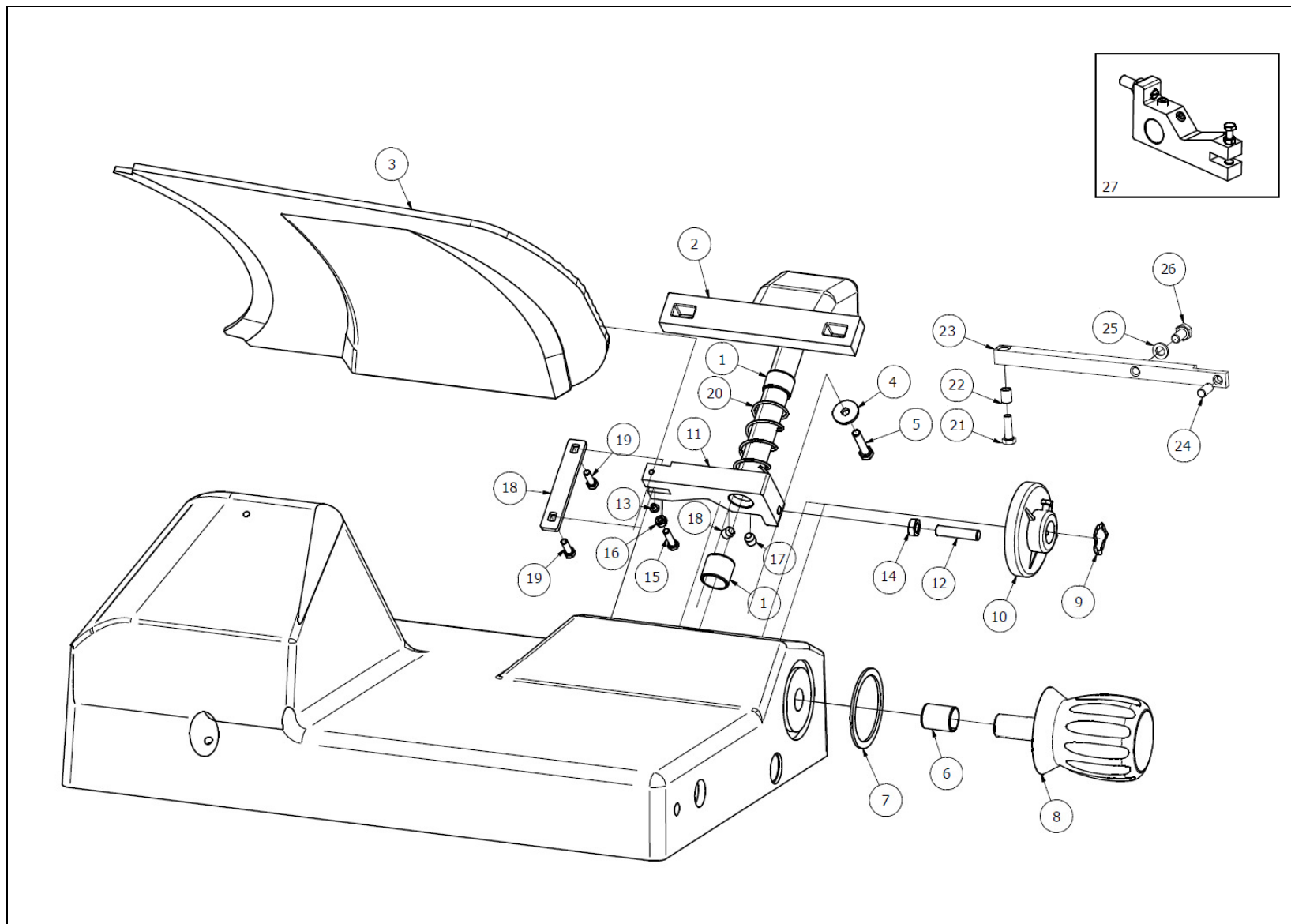


Part list (Tab.3)

Ref.	Q.ty	Code	Description
1 - tab.3	1	A331BCE201	Casing
2 - tab.3	4	30100093	Rubber foot
3 - tab.3	1	33100101	Guard ring support
4 - tab.3	2	37003003259	Ring spacer
5 - tab.3	1	331E00257	Knife guard ring
6 - tab.3	1	357A00067	Pulley
7 - tab.3	2	3001004	Bearing
8 - tab.3	1	743525	Circlip
9 - tab.3	1	30100070	Spacer
10 - tab.3	1	1001002	Rubber ring
11 - tab.3	1	743752	Circlip
12 - tab.3	1	35700068	Pulley shaft
13 - tab.3	1	33100073SK	Knife 330mm
14 - tab.3	1	357BCE501E	Grey tie rod
15 - tab.3	1	331E00002	Knife cover 330mm
16 - tab.3	1	30500195	Aluminium cover knob
17 - tab.3	1	6592 8/A2	Washer
18 - tab.3	1	5739 8 85/A2	Screw
19 - tab.3	2	6592 5/A2	Washer
20 - tab.3	2	5588 5/A2	Nut
21 - tab.3	4	6109 5 12/A2	Screw
22 - tab.3	1	5923 5 12/A2	Screw
23 - tab.3	1	357ACE160	Stainless steel flange
24 - tab.3	3	6954 2.9 6.5	Screw
25 - tab.3	1	331A00011	Slice deflector
26 - tab.3	2	351D00091	Pin for slice deflector
27 - tab.3	4	5589 6	Nut
28 - tab.3	1	3005004	Belt
29 - tab.3	2	5923 8 8	Grub screw
30 - tab.3	1	5923 6 8	Grub screw
31 - tab.3	2	5923 6 16	Grub screw
32 - tab.3	1	1001003	Rubber V-ring
33 - tab.3	1	9001002IX	Stainless steel insert
34 - tab.3	4	A33100092	Spacer
35 - tab.3	4	5588 8	Nut
36 - tab.3	4	5739 8 25	Screw
37 - tab.3		35700502	Pulley assembly

Tab.4 – GAUGE PLATE AND INDEX ASSEMBLY

Exploded diagram (Tab.4)

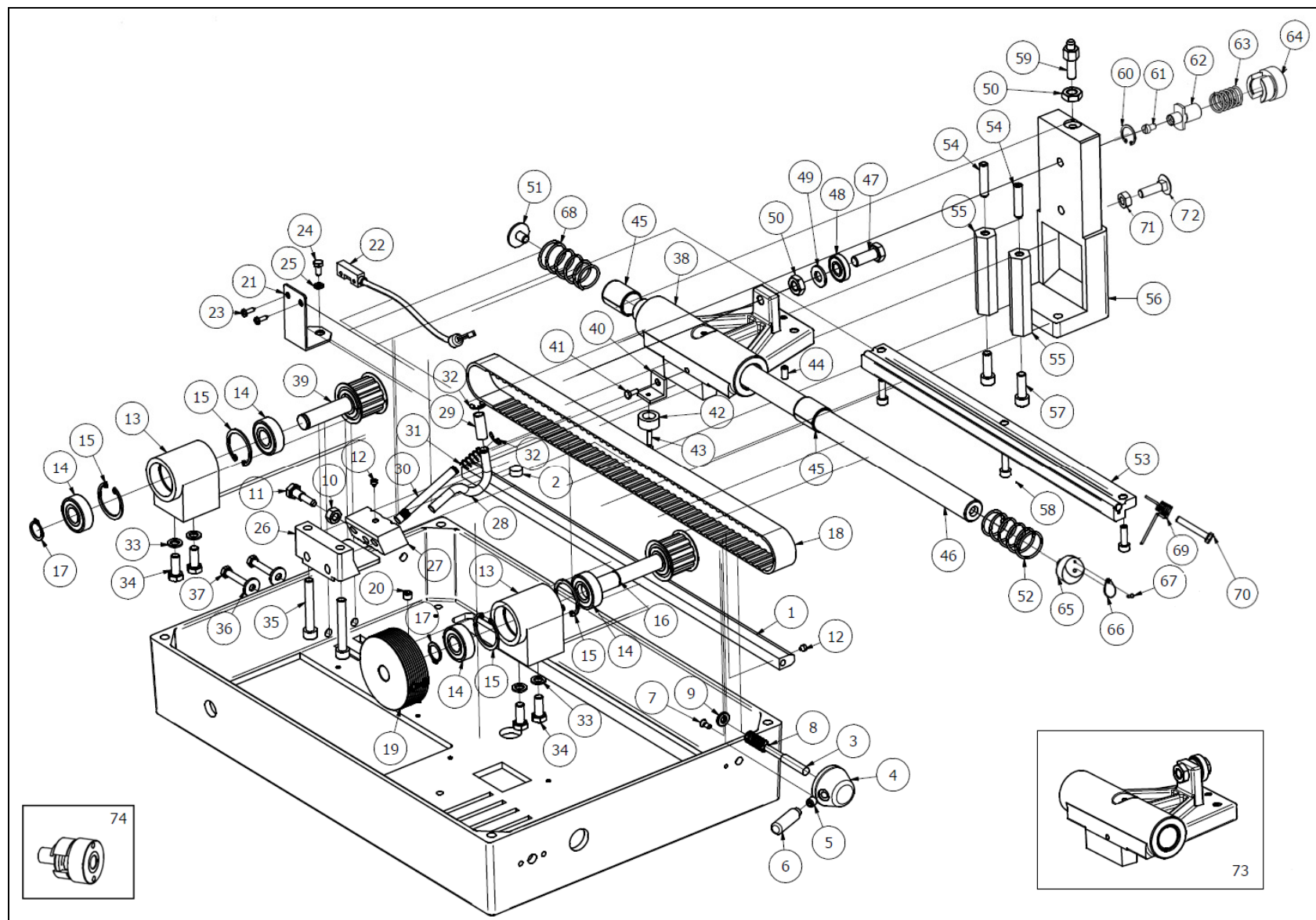


Part list (Tab.4)

Ref.	Q.ty	Code	Description
1 - tab.4	2	2001003	Bushing
2 - tab.4	1	301A00004	Gauge plate support
3 - tab.4	1	331E00003	Gauge plate
4 - tab.4	2	6602A 6 18/A2	Aluminium washer
5 - tab.4	2	5739 6 30/A2	Screw
6 - tab.4	1	2001015	Bushing
7 - tab.4	1	GR-35001027	Delrin washer
8 - tab.4	1	351C00035E	Grey graduated knob
9 - tab.4	1	315VCE095	Washer
10 - tab.4	1	301CE702	Cam assembly
11 - tab.4	1	30100022	Support
12 - tab.4	1	30100027	Cam pin
13 - tab.4	1	22100030	Plastic tap
14 - tab.4	1	5589 8	Nut
15 - tab.4	1	5739 5 20/O	Brass screw
16 - tab.4	1	5588 5	Nut
17 - tab.4	2	5929 8 10	Grub screw
18 - tab.4	1	22100026	Plate
19 - tab.4	2	5739 5 12	Screw
20 - tab.4	1	30100024	Spring
21 - tab.4	1	6109 5 16	Screw
22 - tab.4	1	301BCE255	Bushing
23 - tab.4	1	301CE254	Plate
24 - tab.4	1	301CE277	Pin
25 - tab.4	1	6592 6 12	Washer
26 - tab.4	1	5739 6 10/A2	Screw
27 - tab.4		30100701	Support assembly

Tab.5 – CARRIAGE TRANSMISSION

Exploded diagram (Tab.5)



Part list (Tab.5)

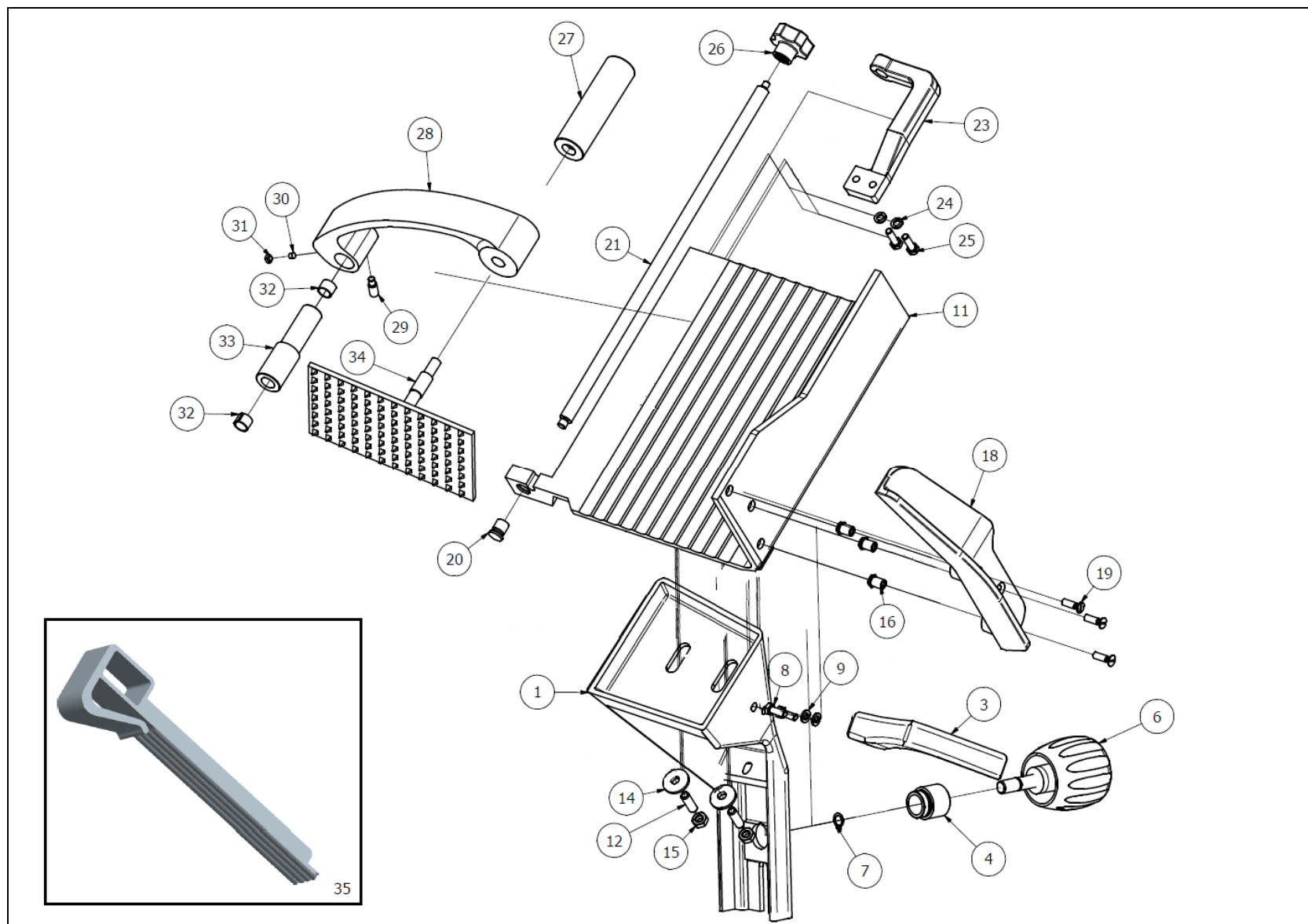
<i>Ref.</i>	<i>Q.ty</i>	<i>Code</i>	<i>Description</i>
1 - tab.5	1	A30100213	Unlock rod
2 - tab.5	1	A30100263	Magneto D.12X6
3 - tab.5	1	A30100268	Pin
4 - tab.5	1	A30100271	Knob
5 - tab.5	1	5923 8 8	Grub screw
6 - tab.5	1	A30100269	Knob pin
7 - tab.5	1	6109 4 10/A2	Screw
8 - tab.5	1	A30100216	Spring
9 - tab.5	1	22100016	Washer
10 - tab.5	1	5588 8/A2	Nut
11 - tab.5	1	A30100214	Screw
12 - tab.5	2	5929 6 6	Grub screw
13 - tab.5	2	A301A00207	Pulley support
14 - tab.5	4	3001001	Bearing
15 - tab.5	4	743735	Circlip
16 - tab.5	1	A30100206	Toothed pulley h.121
17 - tab.5	2	743515	Circlip
18 - tab.5	1	A30100205	Toothed belt
19 - tab.5	1	A301A00215	Pulley
20 - tab.5	1	5927 8 8	Grub screw
21 - tab.5	1	A30100242	Sensor support plate
22 - tab.5	1	A30100241	Magnetic sensor usually open (black)
23 - tab.5	2	6954 3.5 13	Screw
24 - tab.5	1	5739 5 10/A2	Screw
25 - tab.5	1	6592 5/A2	Washer
26 - tab.5	1	A301B00204	Carriage conveyor
27 - tab.5	1	A30100212	Belt unlock
28 - tab.5	1	A30100211	Belt unlock lever
29 - tab.5	0.03	18002006	Plastic tube
30 - tab.5	2	A30100209	Belt unlock guide
31 - tab.5	2	A30100208	Spring
32 - tab.5	3	67997	Circlip
33 - tab.5	4	6592 8 24/A2	Washer
34 - tab.5	4	5739 8 20/A2	Screw

Ref.	Q.ty	Code	Description
35 - tab.5	2	5931 8 55	Screw
36 - tab.5	2	6602A 6 18/A2	Washer
37 - tab.5	2	5739 6 30/A2	Screw
38 - tab.5	1	A301D00012	Carriage
39 - tab.5	1	A30100202	Toothed pulley h.88
40 - tab.5	1	A30100201	Magneto support
41 - tab.5	1	5739 4 10/A2	Screw
42 - tab.5	1	A30100203	Magneto
43 - tab.5	1	6109 4 20/A2	Screw
44 - tab.5	1	35001064	Grub screw
45 - tab.5	2	2001004	Bushing
46 - tab.5	1	30100013	Round bar
47 - tab.5	1	5739 10 25	Screw
48 - tab.5	1	3001006	Bearing
49 - tab.5	1	6592 10 20	Washer
50 - tab.5	2	5589 10	Nut
51 - tab.5	1	30100050	Screw
52 - tab.5	1	A30100020	Spring
53 - tab.5	1	301CCE014	Square bar
54 - tab.5	2	5923 8 35/A2	Grub screw
55 - tab.5	2	A30100262	Hexagonal spacer
56 - tab.5	1	A301A00261	Support
57 - tab.5	2	5931 8 25	Screw
58 - tab.5	3	5931 6 20	Screw
59 - tab.5	1	301ECE128	Distanziale carrello
60 - tab.5	1	743722	Circlip
61 - tab.5	1	6107 6 10/N	Screw
62 - tab.5	1	221CE270	Bushing D.29
63 - tab.5	1	221CE269	Spring
64 - tab.5	1	221CE268	Bushing D.35
65 - tab.5	1	30100099	Oil screw
66 - tab.5	1	30100097	Oil plate
67 - tab.5	1	30100096	Rivet
68 - tab.5	1	A301B00020	Spring
69 - tab.5	1	301CE273	Spring
70 - tab.5	1	5739 5 20	Screw
71 - tab.5	1	5589 10/A2	Nut

<i>Ref.</i>	<i>Q.ty</i>	<i>Code</i>	<i>Description</i>
72 - tab.5	1	603 10 35/A2	Screw
73 - tab.5		A301D00601	Carriage assembly
74 - tab.5		221CE650	CE block assembly

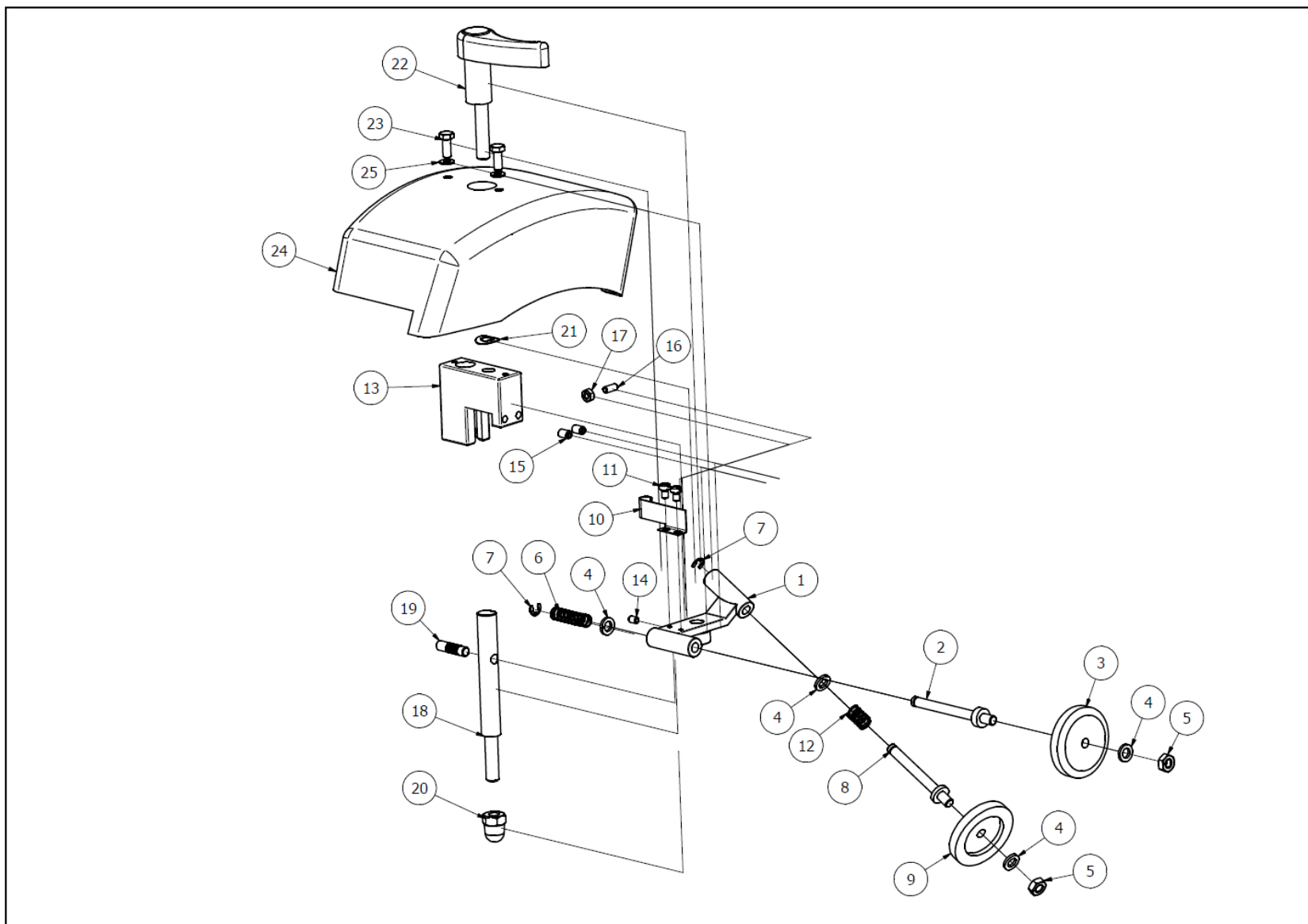
Tab.6 – PRODUCT TRAY AND MEAT GRIP

Exploded diagram (Tab.6)



Part list (Tab.6)

Ref.	Q.ty	Code	Description
1 - tab.6	1	331ACE007	Meat table support
3 - tab.6	1	35005009E	Tray support handle
4 - tab.6	1	302CE290	Bushing
6 - tab.6	1	302ACE040E	Grey carriage knob
7 - tab.6	1	743510	Seeger
8 - tab.6	2	5739 6 14	Screw
9 - tab.6	2	1751 6	Washer
11 - tab.6	1	301E00008	Tray
12 - tab.6	2	5923 8 25/A2	Grub screw
14 - tab.6	2	6593 8/A2	Washer
15 - tab.6	2	5589 8/A2	Nut
16 - tab.6	3	30100227	Standoff insert
18 - tab.6	1	00-915268	Thumb guard
19 - tab.6	3	6109 6 20/A2	Screw
20 - tab.6	1	30100083	Bushing
21 - tab.6	1	301A00084	Rod
23 - tab.6	1	301A00226E	Grey extension
24 - tab.6	2	6592 6/A2	Washer
25 - tab.6	2	5923 6 25/A2	Screw
26 - tab.6	1	30100102E	Grey knob
27 - tab.6	1	A33100080	Handgrip knob
28 - tab.6	1	A33100186	Arc
29 - tab.6	1	301CE248	Antirotation pin
30 - tab.6	1	5927 5 6	Grub screw
31 - tab.6	1	18001005	Plastic tap
32 - tab.6	2	2001021	Bushing
33 - tab.6	1	A33100187	Tube
34 - tab.6	1	00-915257	Meat grip
35 - tab.6	1	00-915266	Fence

Tab.6 – SHARPENER ASSEMBLY**Exploded diagram (Tab.6)**

Part list (Tab.6)

Ref.	Q.tà	Cod. N°	Description
1 - tab.6	1	00-479338	Sharpener body
2 - tab.6	1	00-479340	Shaft – Truing
3 - tab.6	1	30100112	Wheel – Truing
4 - tab.6	4	6592 6/A2	Washer
5 - tab.6	2	5589 6/A2	Nut
6 - tab.6	1	00-479345	Spring
7 - tab.6	2	6799 5	Circlip
8 - tab.6	1	00-479339	Shaft – Grinding
9 - tab.6	1	33100111	Wheel – Grinding
10 - tab.6	1	00-479344	Spring – return
11 - tab.6	2	6107 4 6/A2	Screw
12 - tab.6	1	00-479400	Spring
13 - tab.6	1	00-479337	Mount – sharpener
14 - tab.6	1	5923 4 6/A2	Grub screw
15 - tab.6	2	5923 5 8/A2	Grub screw
16 - tab.6	1	5927 4 10/A2	Grub screw
17 - tab.6	1	5588 4/A2	Nut
18 - tab.6	1	00-479343	Sharpener shaft
19 - tab.6	1	30100103	Pin
20 - tab.6	1	5721 8/A2	Nut
21 - tab.6	1	SL-005-09	Spring – loading
22 - tab.6	1	00-479347	Knob sharpener
23 - tab.6	2	5739 4 14/A2	Screw
24 - tab.6	1	00-479342	Sharpener cover
25 - tab.6	2	6592 4/A2	Washer