

WAREWASHING



Hood-type Dishwasher

PROFI AMX
PROFI AMXX
PREMAX AUP
PROFI AM900

Spare Parts Catalogue

EN

Valid for the following models:

AMX-10A	AMX-20A	AMXX-10A	AUP-10A
AMXS-10A	AMXR-10A	AMXXS-10A	AUPS-10A
AMXHL-10A	AMXRS-10A	AMXXR-10A	AUP-90A
AMX-13A	AMX-90A	AMXXRS-10A	
AMX-30A			

Note

For other voltages or electric components, refer to the wiring diagram shipped with the machine. Observe wiring diagram.

Legend

Recommended spare parts



Wearing parts

Publisher

HOBART GmbH
Robert-Bosch-Str. 17
77656 Offenburg

Telephone +49(0)781.600-0
Fax +49(0)781.600-23 19

E-Mail: info@hobart.de
Internet: www.hobart.de

Product liability

Installations and repairs which are carried out by non-authorized technicians or the use of other than original spare parts, and any technical alterations to the machine, may affect the warranty set out in the standard conditions of sale.

As continued product improvement is a policy of HOBART, specifications are subject to change without notice.

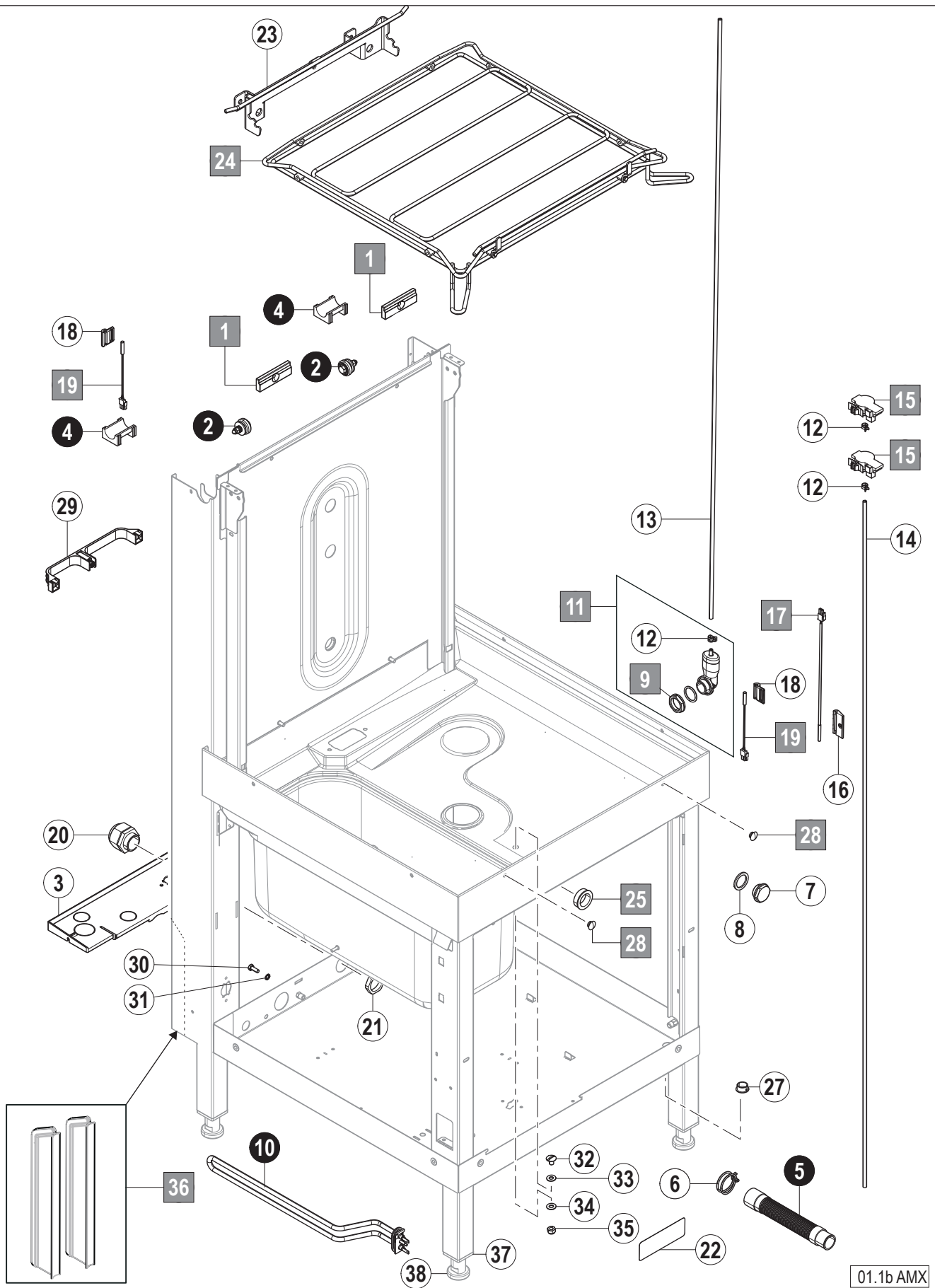
Detailed information can be obtained from your distributor, or from:

SERVICE Tel. 01803 45 62 58
Internet: www.hobart.de
E-Mail: info@hobart.de (innerhalb Deutschland)

© HOBART GmbH, Offenburg 2015

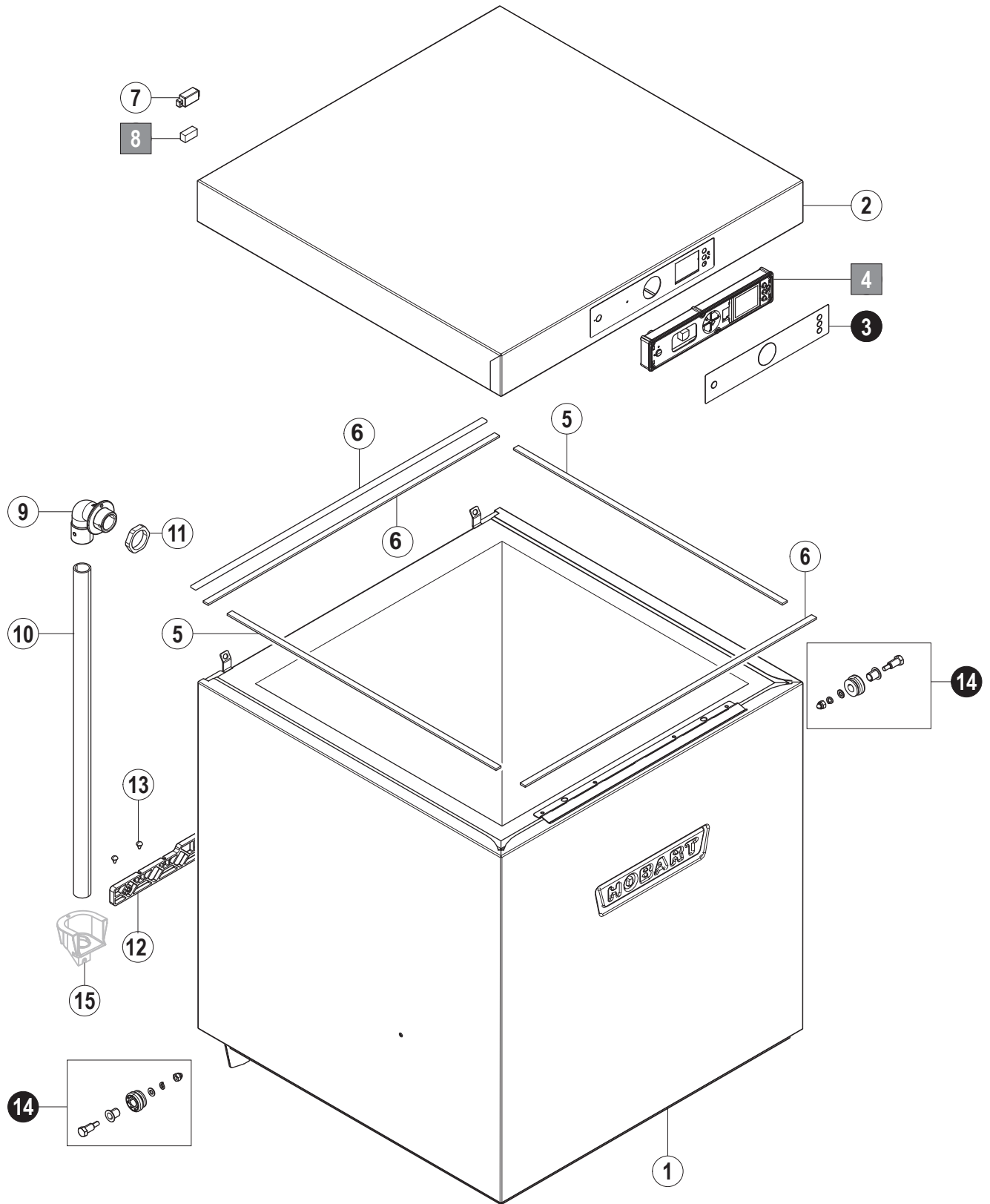
Page	Chapter	Contents
4	1.	Base frame
6	2.	Hood
8	3.	Hood with Vapostop (Option)
10	4.	Hoodlift handle Profi/Premax models
12	5.	Hoodlift handle AM900
14	6.	covering
16	7.	Filling without Softener
18	8.	Filling with Softener
20	9.	Drain system
22	10.	PROFI strainer system
24	11.	PREMAX strainer system
26	12.	Strainer System AM900
28	13.	Wash system AMX
30	14.	Wash system AMXX, AUP
32	15.	Wash pump AMX
34	16.	Wash pump AMXX
36	17.	Wash pump AUP
38	18.	Wash pump AM900-30A
40	19.	Hot water tank 6,15 kW
42	20.	Hot water tank 12,3 kW
44	21.	Switch box
46	22.	Dosage
48	23.	Waste water heat recovery
50	24.	ASR
54	25.	Hoodlift

1. Base frame



Pos. no.	Part no.	Part name	Remarks
1	01-246900-001	Distance block	
2	01-515688-001	Roller compl.	
3	01-515789-001	Cover back side	
4	00-898024-001	Bearing	
5	00-323801-001	drain hose	AM900-30A only
6	00-324510-372	hose clip	AM900-30A only
7	01-297500-001	Cover	AM900-30A only
8	00-775305-001	sealing	AM900-30A only
9	00-324384-000	nut	
10	00-883423-001	Tank heater	
11	01-515334-001	Air chamber, replacement kit	incl. Pos. 9 + 12
12	01-246214-003	hose clip	
13	00-324402-022	hose	
14	00-324402-023	hose	
15	00-775866-202	pressure transmitter	
16	01-297719-001	Bracket temperature sensor	
17	00-775612-001	temperature sensor	
18	01-515259-001	Bracket gas reed switch	
19	01-515276-001	reed switchreed switch	
20	00-695661-005	cable fitting	
21	00-695664-005	counter nut	
22	01-240359-001	Adhesive label - warning	
23	01-539589-001	Bracket rack frame	
24	01-539519-003	Rack frame	
25	00-886756-002	Insulation bushing	
26	01-515897-001	hose guidance rail	
27	00-895609-001	Cover cap	
28	00-886859-001	plug	
29	01-539512-001	hose guidance rail	
30	00-602570-000	Screw	
31	00-605283-001	Fan washer	
32	00-603654-000	Screw	Without detergent dosing only
33	00-172986-010	sealing	Without detergent dosing only
34	00-602287-000	Washer	Without detergent dosing only
35	00-602503-000	nut	Without detergent dosing only
36	01-539610-001	Spare parts kit cover U-Profil	
37	00-325008-001	Impact part adjustable foot	
38	00-325007-001	Screw-in adjustable foot	

2. Hood

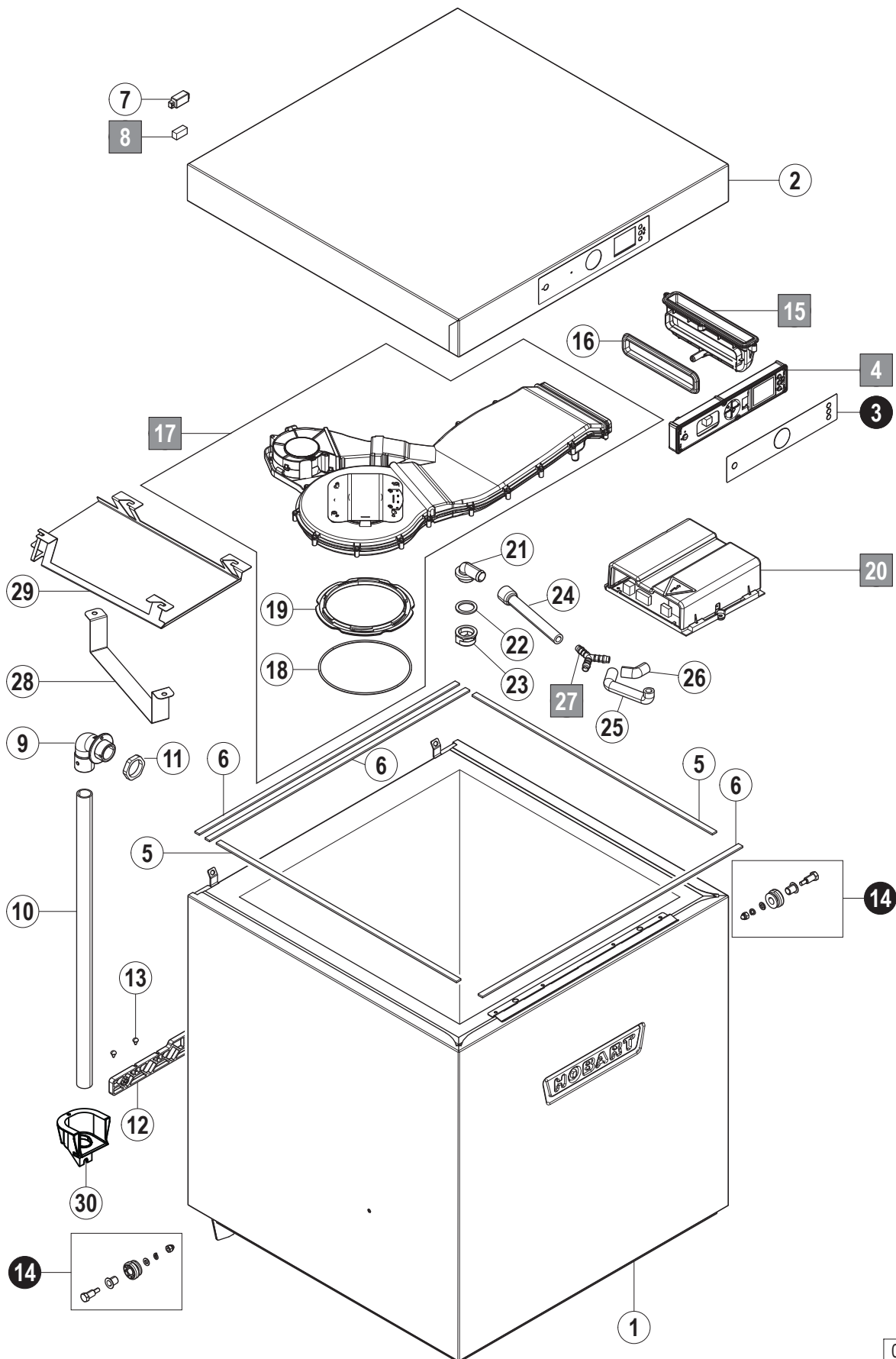


01.2 AMX

Pos. no.	Part no.	Part name	Remarks
1	01-515530-001	Hood with insulation	
	01-515530-003	Hood without insulation	AM900 only
2	01-515556-001	Cover Hood	
3	01-515045-001	PROFI film keypad	PROFI only
	01-515046-001	PREMAX film keypad	PREMAX only
4	01-515040-001	Operating and display unit	
5	00-883777-014	Gasket	
6	00-883777-011	Gasket	
7	00-883746-001	Magnet retainer	
8	00-775860-001	magnet	
9	00-883498-001	Flange	
10	00-775924-001	Cable protection pipe	
11	00-695664-005	counter nut	
12	01-297717-001	Block	
13	00-228828-000	Stopper	
14	01-515688-001	Roller compl.	
15	01-539639-001	Cover cable tube	

Hood with Vapostop (Option)

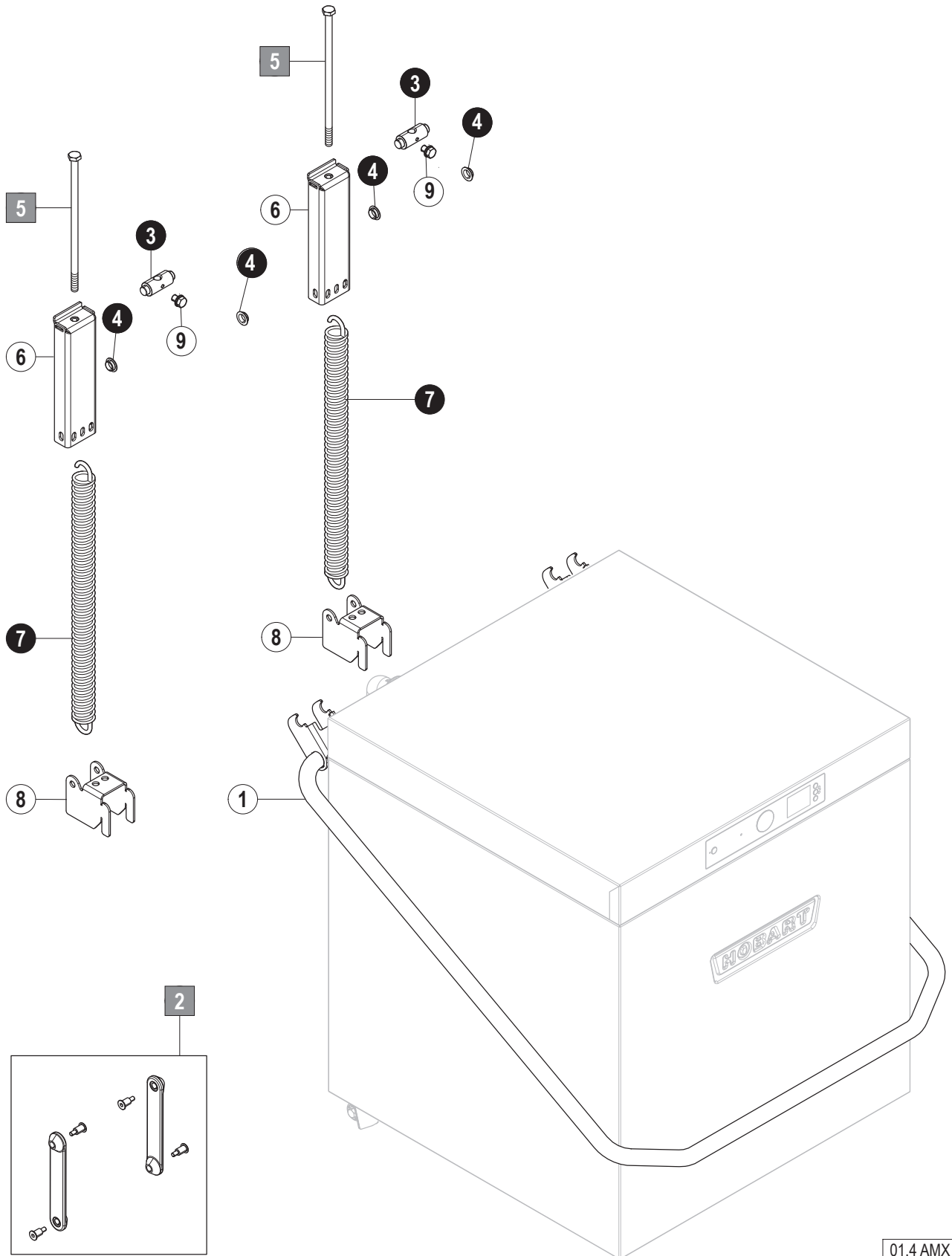
3. Hood with Vapostop (Option)



01.3 AMX

Pos. no.	Part no.	Part name	Remarks
1	01-515530-002	Hood with insulation	
2	01-515556-002	Cover Hood	
3	01-515045-001	PROFI film keypad	PROFI only
	01-515046-001	PREMAX film keypad	PREMAX only
4	01-515040-001	Operating and display unit	
5	00-883777-014	Gasket	
6	00-883777-011	Gasket	
7	00-883746-001	Magnet retainer	
8	00-775860-001	magnet	
9	00-883498-001	Flange	
10	00-775924-001	Cable protection pipe	
11	00-695664-005	counter nut	
12	01-297717-001	Block	
13	00-228828-000	Stopper	
14	01-515688-001	Roller compl.	
15	01-515996-001	Front panel	
16	01-240121-001	Sealing pipe cover plate	
17	01-240261-001	Fan unit, compl.	incl. Pos. 18 + 19
18	01-240272-001	sealing	
19	01-240267-001	Bayonet nut	
20	01-240262-001	Fan control	
21	00-324097-000	filler piece	
22	00-775305-001	sealing	
23	00-324183-000	nut	
24	01-297678-001	hose	
25	01-297687-001	hose	
26	01-297689-001	hose	
27	00-174047-002	Hose connection	
28	01-297670-001	Handle	
29	01-539543-001	Cover fan unit	
30	01-539639-001	Cover cable tube	

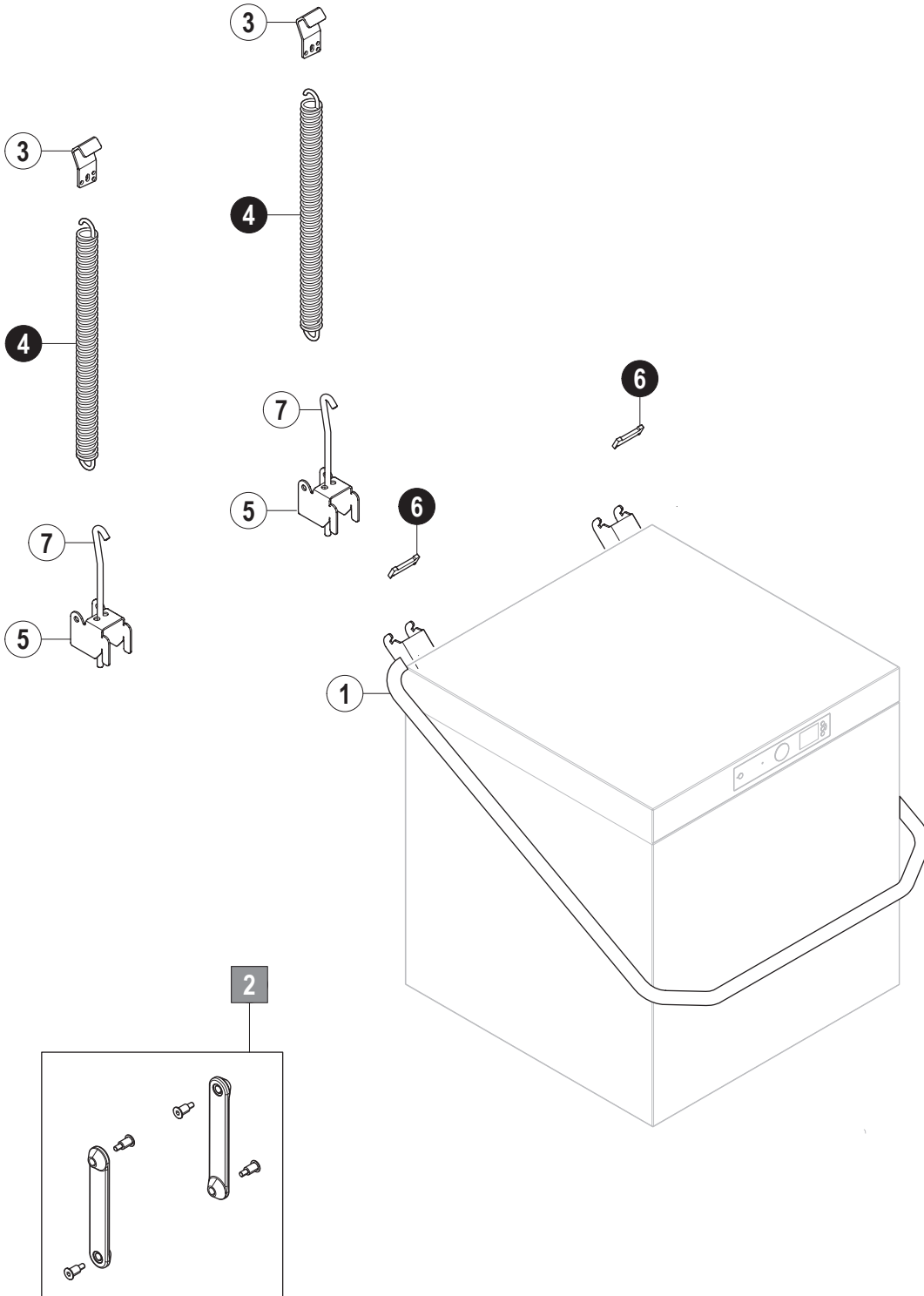
4. Hoodlift handle Profi/Premax models



01.4 AMX

Pos. no.	Part no.	Part name	Remarks
1	01-515644-001	Hoodlift handle	
2	00-883947-001	Spare parts kit hood link	
3	01-515693-001	Spring retaining bolt	
4	01-515302-002	Slide bearings	
5	00-605253-001	Screw	
6	01-539540-001	Spring braket	
7	01-515929-001	Spring	
8	01-539539-001	Mounting braket spring	
9	00-602567-000	Screw	

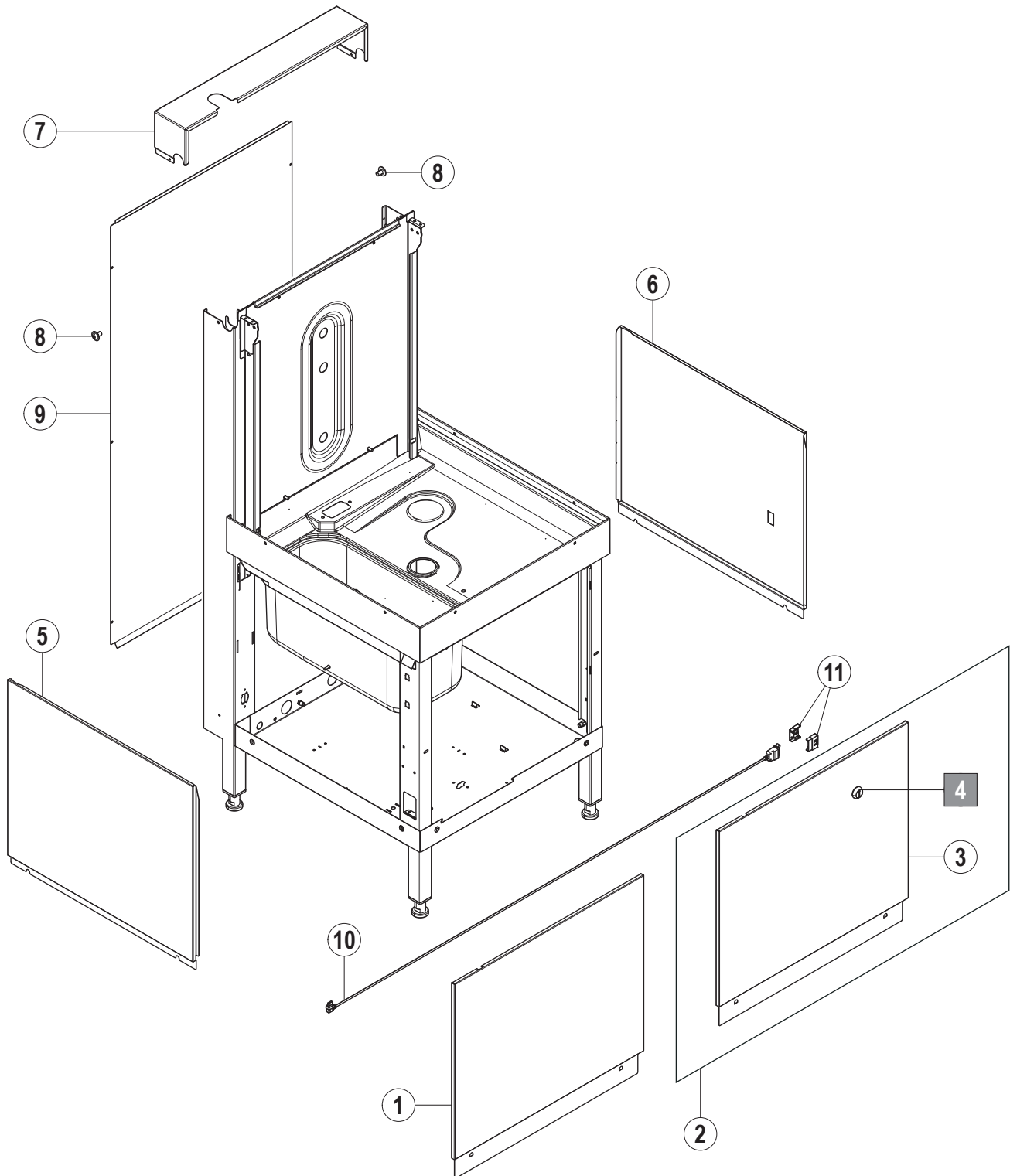
5. Hoodlift handle AM900



01.5 AM900

Pos. no.	Part no.	Part name	Remarks
1	01-515644-002	Hoodlift handle	
2	00-883947-001	Spare parts kit hood link	
3	00-883631-001	Spring retaining bolt	
4	00-898028-001	Spring	
5	01-539539-001	Bracket tension spring	
6	00-883683-002	Spring retaining bolt	
7	00-883931-001	Mounting braket spring	

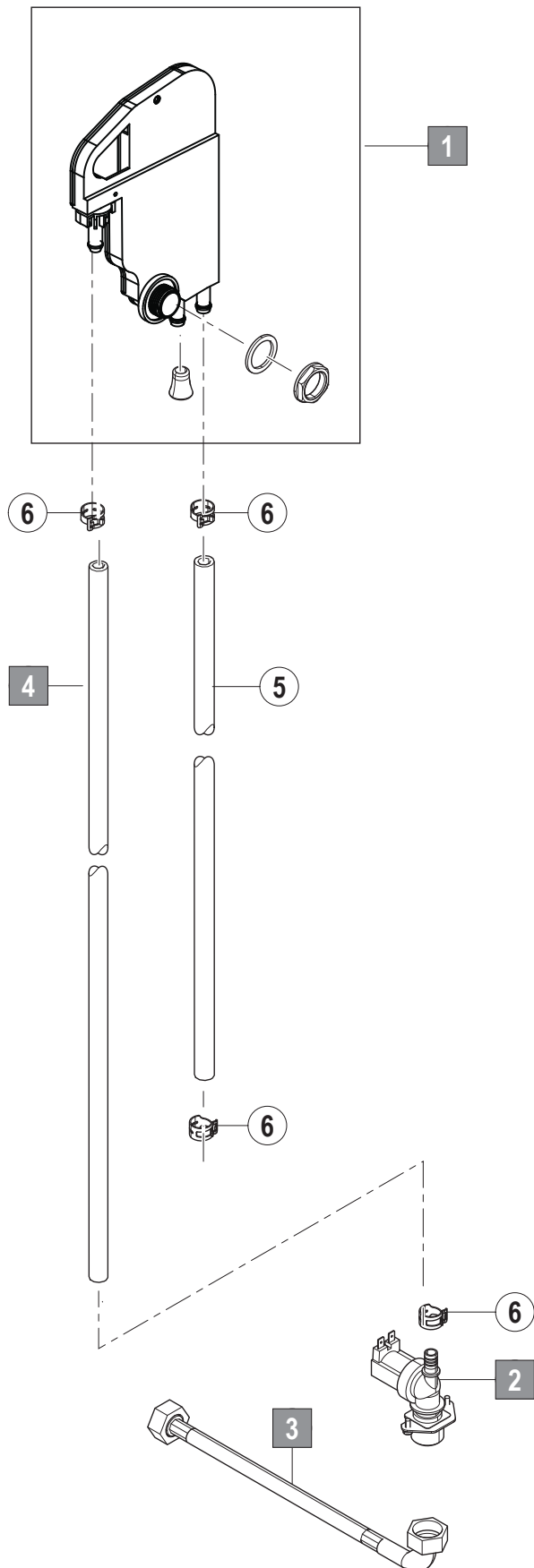
6. Covering



01.5 AMX

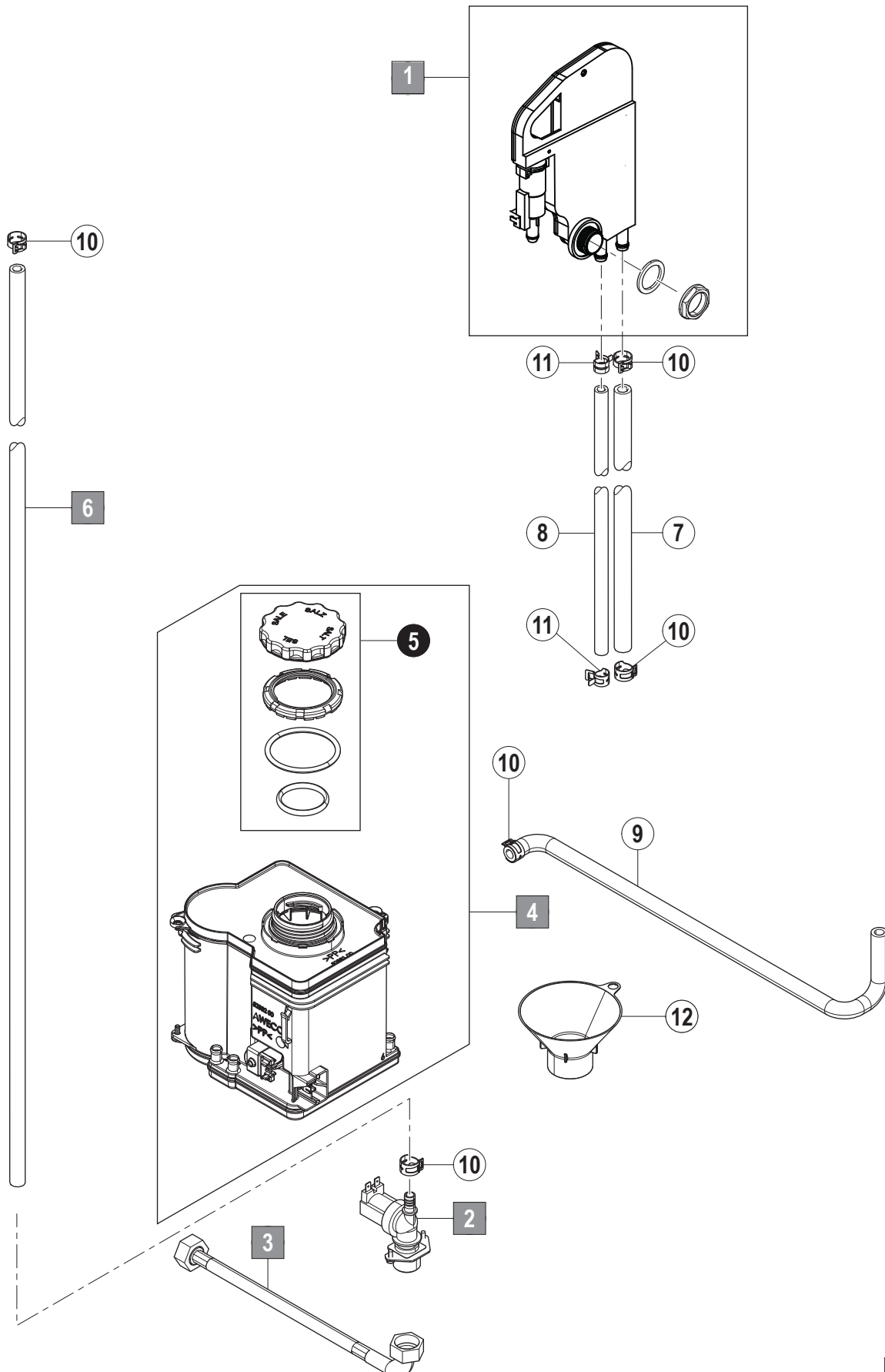
Pos. no.	Part no.	Part name	Remarks
1	01-515958-001	Covering front side	
2	01-515954-001	Covering front side compl.	Hoodlift only, incl. Pos. 3 + 4
3	01-515958-004	Covering front side	
4	00-883959-001	Push button	
5	01-515959-001	Covering left	
6	01-515925-001	Covering right	
7	01-515852-001	Back cover	
	01-515852-002	Back cover	Hoodlift only
8	00-883731-001	Screw	
9	01-515960-001	back covering	Optional only
10	01-515064-001	USB port	
11	01-539527-001	USB adapter	

7. Filling without Softener



Pos. no.	Part no.	Part name	Remarks
1	01-515331-001	Spare parts kit waterbreak	
2	00-883658-001	filling valve	
3	01-240316-003	water supply hose	
	01-510262-003	water supply hose	Australia only
4	01-246371-015	hose	
5	01-297802-008	hose	
6	01-246214-002	hose clip	

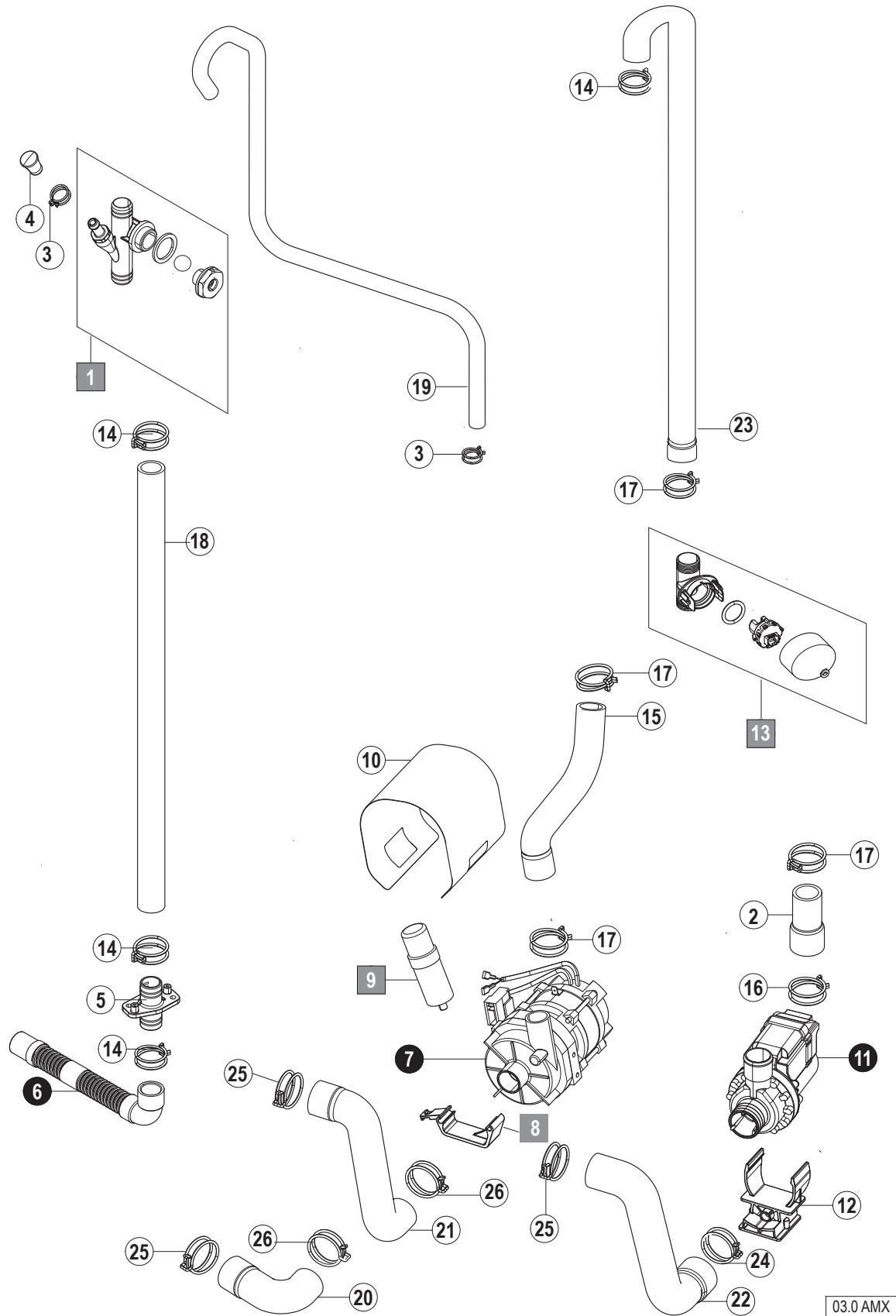
8. Filling with Softener



02.2 AMX

Pos. no.	Part no.	Part name	Remarks
1	01-515331-002	Spare parts kit waterbreak	
2	00-883658-001	filling valve	
3	01-240316-003	water supply hose	
4	01-515030-001	softener	incl. Pos. 5
5	01-515030-050	spare parts kit softener cover lid	
6	01-246371-015	hose	
7	01-297802-008	hose	
8	00-775611-010	hose	
9	01-515867-001	hose	
10	01-246214-002	hose clip	
11	01-246214-008	hose clip	
12	01-515277-001	funnel	

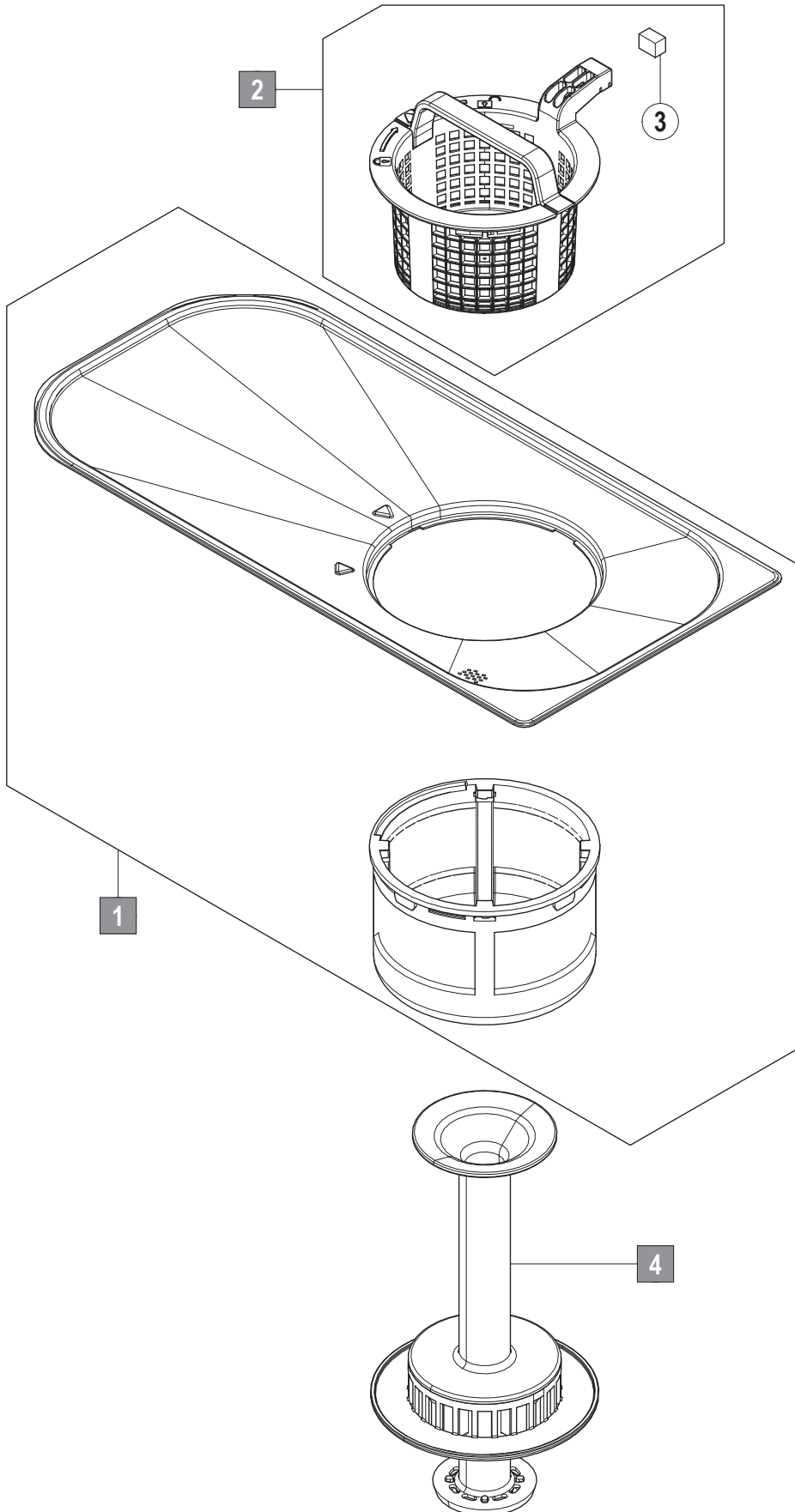
9. Drain system



03.0 AMX

Pos. no.	Part no.	Part name	Remarks
1	01-515775-001	Ventilation valve, compl.	incl. Pos. 2 + 3
2	01-515970-001	hose	AMX only
3	00-324510-372	hose clip	
4	00-775531-001	blind plug	Without softener only
5	01-240159-001	Drain connection	
6	00-883961-002	drain hose	
7	00-775854-003	drain pump	AMXR, AMXX(R), AUP only
8	01-515154-001	Bracket rinse pump	
9	00-226568-002	condensor	
10	01-515763-001	Cover	
11	01-297707-002	drain pump	AMX only, without heat recovery
12	01-515923-001	Bracket pump	
13	01-515022-002	Turbidity sensor compl.	
14	00-324510-287	hose clip	
15	01-515969-001	hose	AMXX, AUP only
16	00-324510-372	hose clip	
17	00-324510-327	hose clip	
18	01-515856-001	hose	
19	01-515868-001	hose	With softener only
20	01-515933-001	hose	AMXX, AUP only
21	01-515934-001	hose	nur mit Ablaufpumpe 00-775854-003
22	01-515937-001	hose	nur mit Ablaufpumpe 01-297707-002
23	01-515968-001	hose	
	01-515935-001	hose	AM900 only
24	00-324510-429	hose clip	
25	00-324510-388	hose clip	
26	00-324510-356	hose clip	

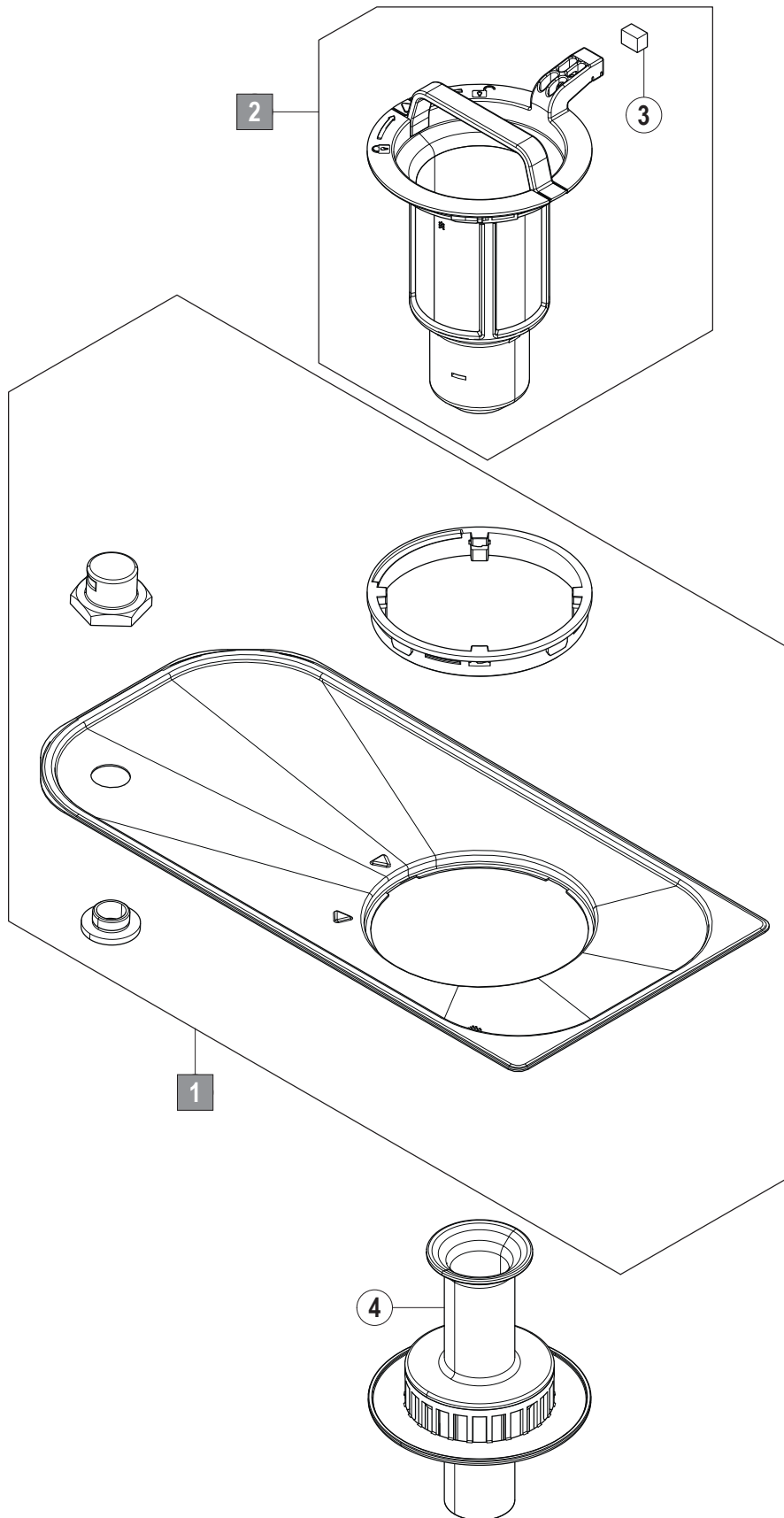
10. PROFI strainer system



04.1 AMX

Pos. no.	Part no.	Part name	Remarks
1	01-515598-001	Tank cover strainer	
2	01-515594-001	Strainer basket, compl.	incl. Pos. 3
3	01-515145-001	magnet	
4	00-883550-001	Riser	AMXX
	00-883550-003	Riser	AMX

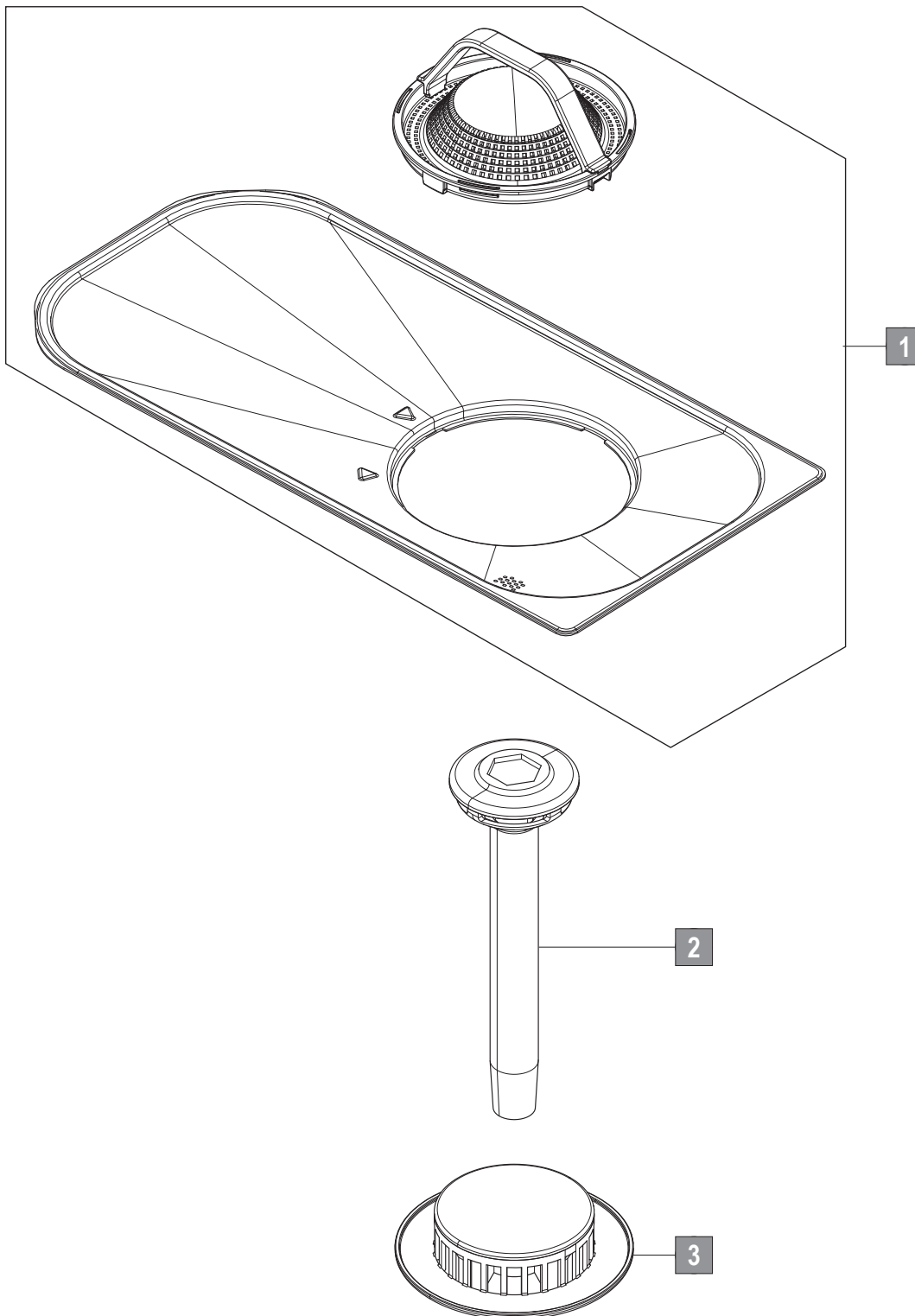
11. PREMAX strainer system



10.0 AMX

Pos. no.	Part no.	Part name	Remarks
1	01-515598-002	Tank cover strainer, compl.	
2	01-515782-001	Strainer basket, compl.	incl. Pos. 3
3	01-515145-001	magnet	
4	01-515780-001	Riser	

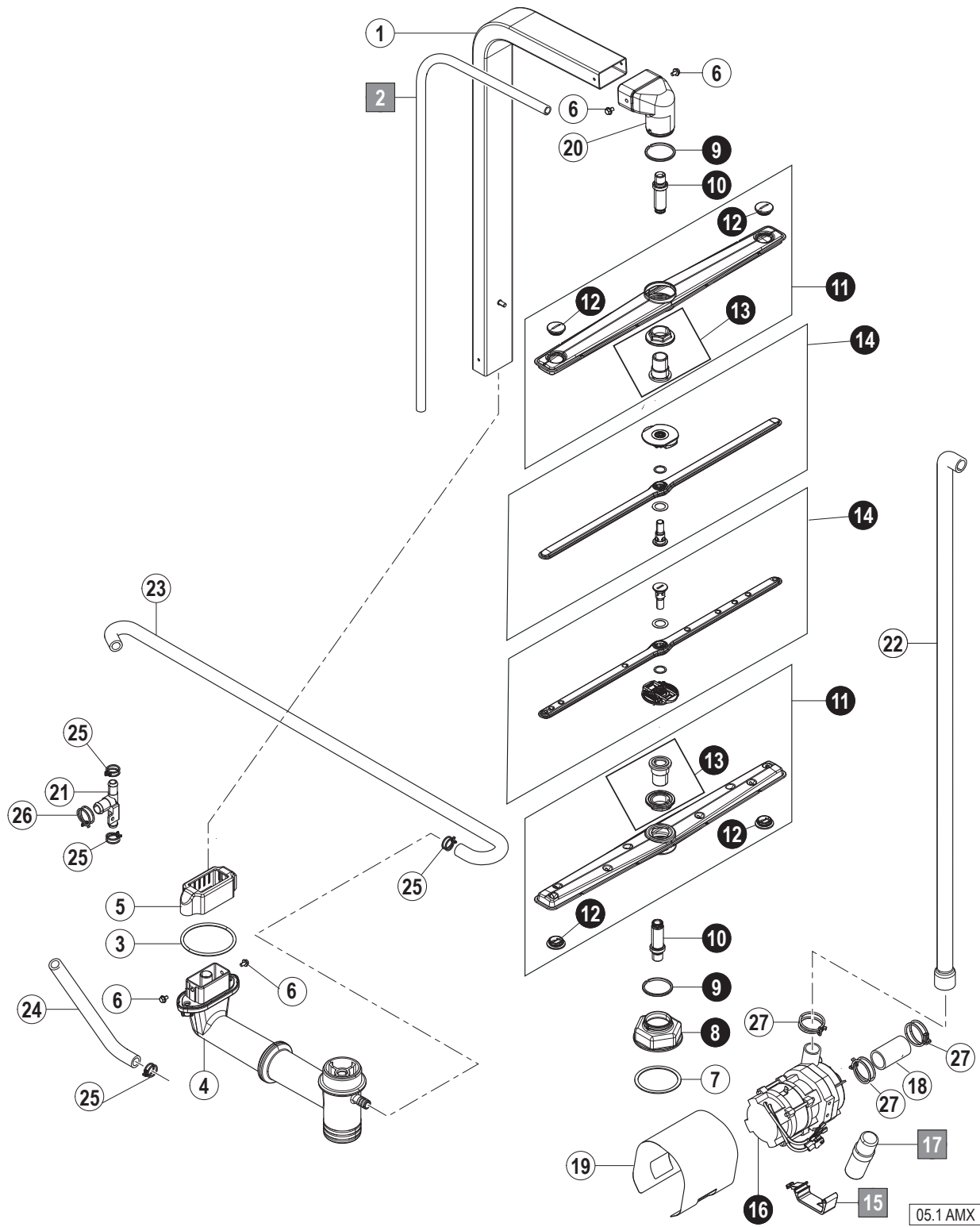
12. Strainer System AM900



04.2 AMX

Pos. no.	Part no.	Part name	Remarks
1	01-539544-001	Strainer system compl.	
2	00-883737-001	Riser	AM900-30A only
3	00-883733-001	Drain strainer	
	00-883733-002	Drain strainer	AM900-30A only

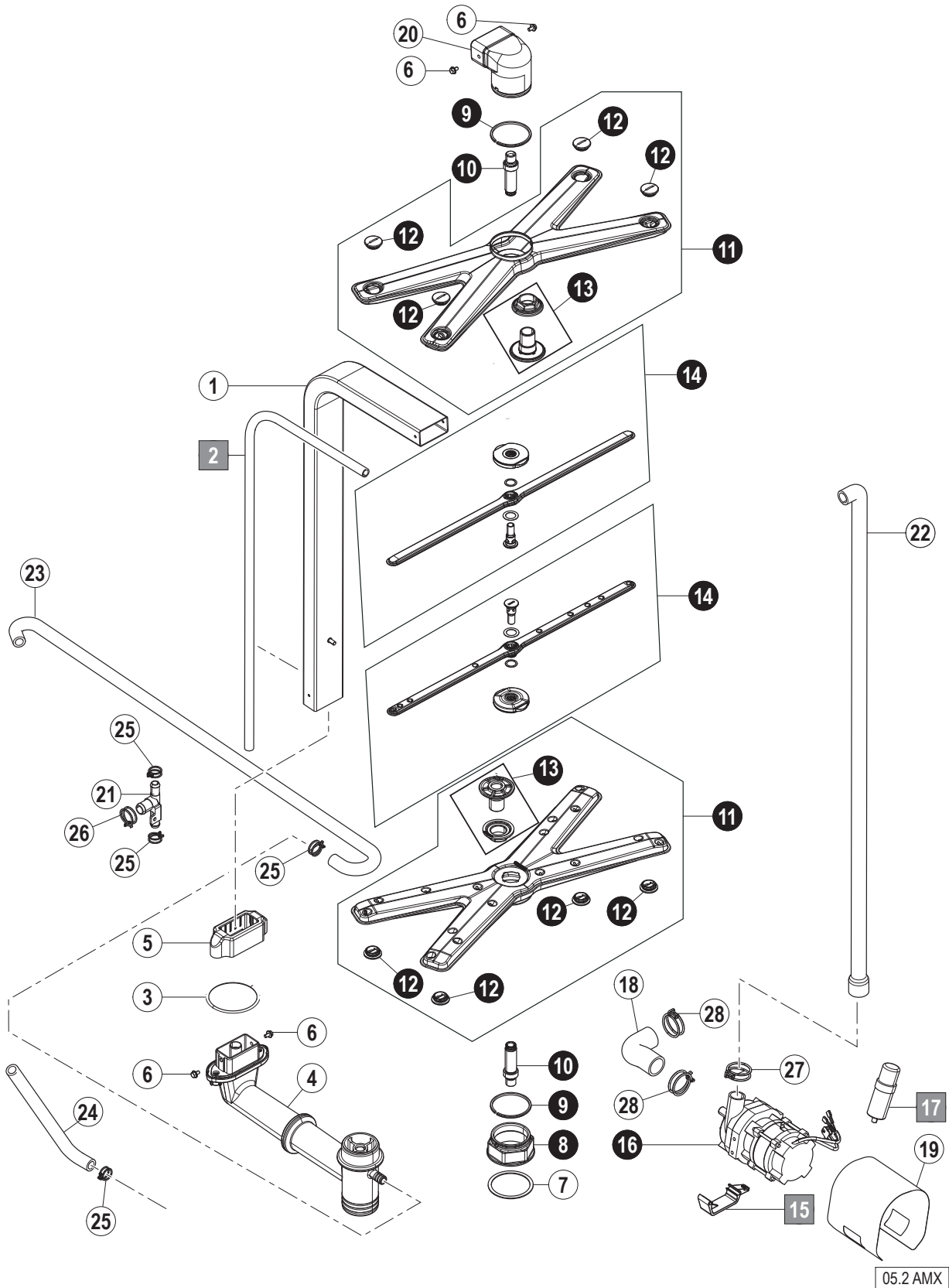
13. Wash system AMX



Pos. no.	Part no.	Part name	Remarks
1	01-515685-001	Manifold	
2	00-883512-001	Wash pipe	
3	00-276903-065	O-ring	
4	01-515649-001	Wash arm base, bottom	
5	01-515687-001	Cover manifold	
6	00-609782-000	Screw	
7	00-172986-035	sealing	
8	00-883496-001	Separating nut	
9	00-775933-003	Slide ring	
10	01-515835-001	Axle wash arm	
11	01-515575-001	Wash arm, compl.	incl. Pos. 12 + 13
12	00-886610-000	Wash arm plug	4 pieces
13	01-539624-001	Spare parts kit wash arm guidance	
14	01-539620-001	Spare parts kit rinse arm	
15	01-515154-001	Bracket rinse pump	
16	01-515260-001	rinse pump	
17	00-226568-002	condensor	
18	00-883145-012	hose	
19	01-515763-001	Cover	
20	00-883467-001	Wash arm base, top	
21	00-324071-000	T-piece	
22	01-515846-001	hose	
23	01-515847-001	hose	
24	01-515848-001	hose	
25	00-324510-202	hose clip	
26	00-324510-242	hose clip	
27	00-324510-327	hose clip	

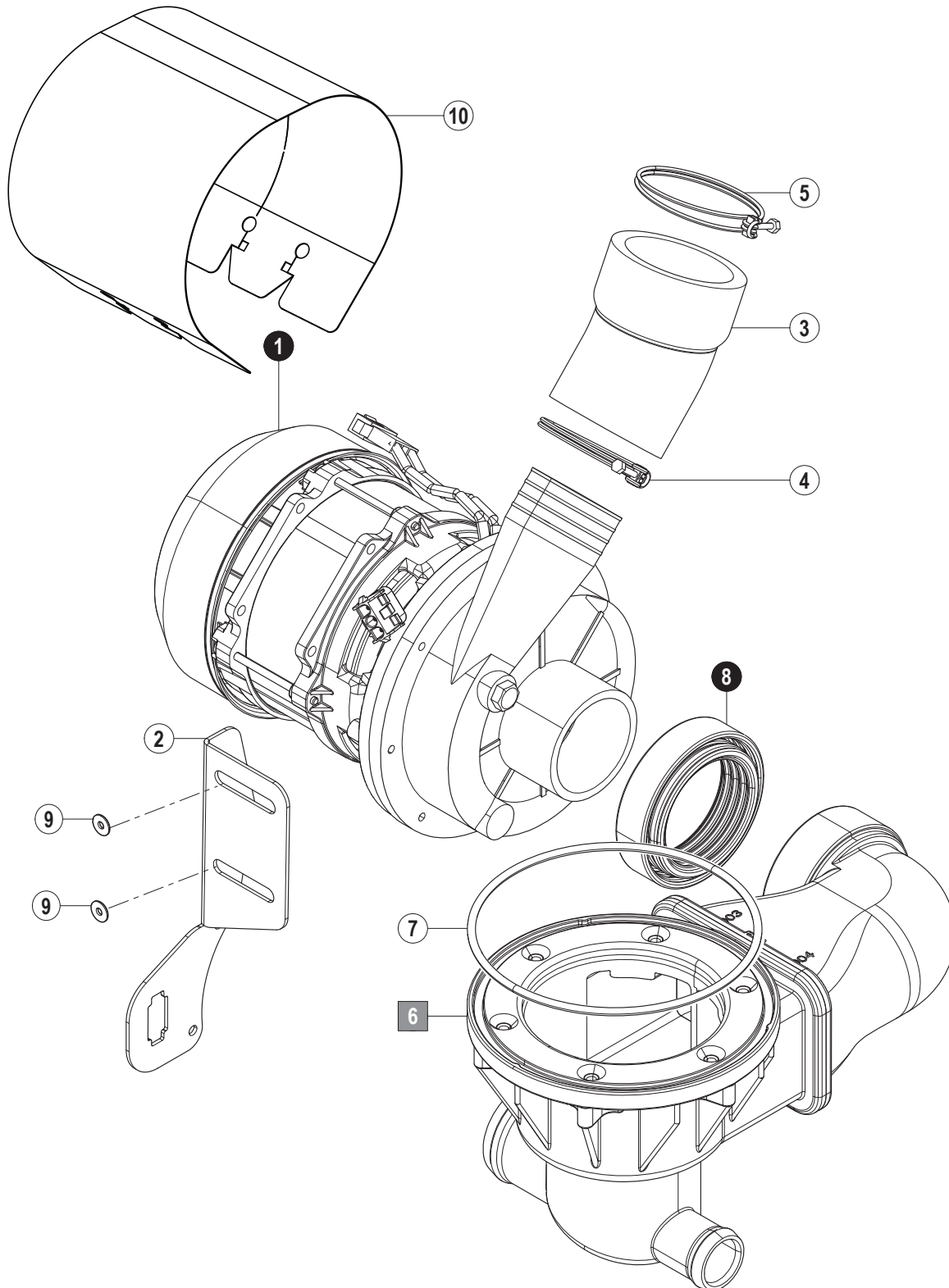
Wash system AMXX, AUP

14. Wash system AMXX, AUP



Pos. no.	Part no.	Part name	Remarks
1	01-515685-001	Manifold	PROFI only
	01-515685-003	Manifold	PREMAX only
2	00-883512-001	Wash pipe	
3	00-276903-065	O-ring	
4	01-515649-001	Wash arm base, bottom	
5	01-515687-001	Cover manifold	
6	00-609782-000	Screw	
7	00-172986-035	sealing	
8	00-883497-001	Separating nut	
9	00-324751-000	Sealing ring	
10	01-515835-002	Axle wash arm	
11	01-515588-001	Wash arm, compl.	incl. Pos. 12 + 13
12	00-886610-000	Wash arm plug	4 pieces
13	01-539624-002	Spare parts kit wash arm guidance	
14	01-539620-001	Spare parts kit rinse arm	
15	01-515154-001	Bracket rinse pump	
16	01-515260-001	rinse pump	
17	00-226568-002	condensor	
18	01-515844-001	hose	
19	01-515763-001	Cover	
20	00-883466-001	Wash arm base, top	
21	00-324071-000	T-piece	
22	01-515846-001	hose	
23	01-515847-001	hose	
24	01-515848-001	hose	
25	00-324510-202	hose clip	
26	00-324510-242	hose clip	
27	00-324510-327	hose clip	
28	00-324510-356	hose clip	

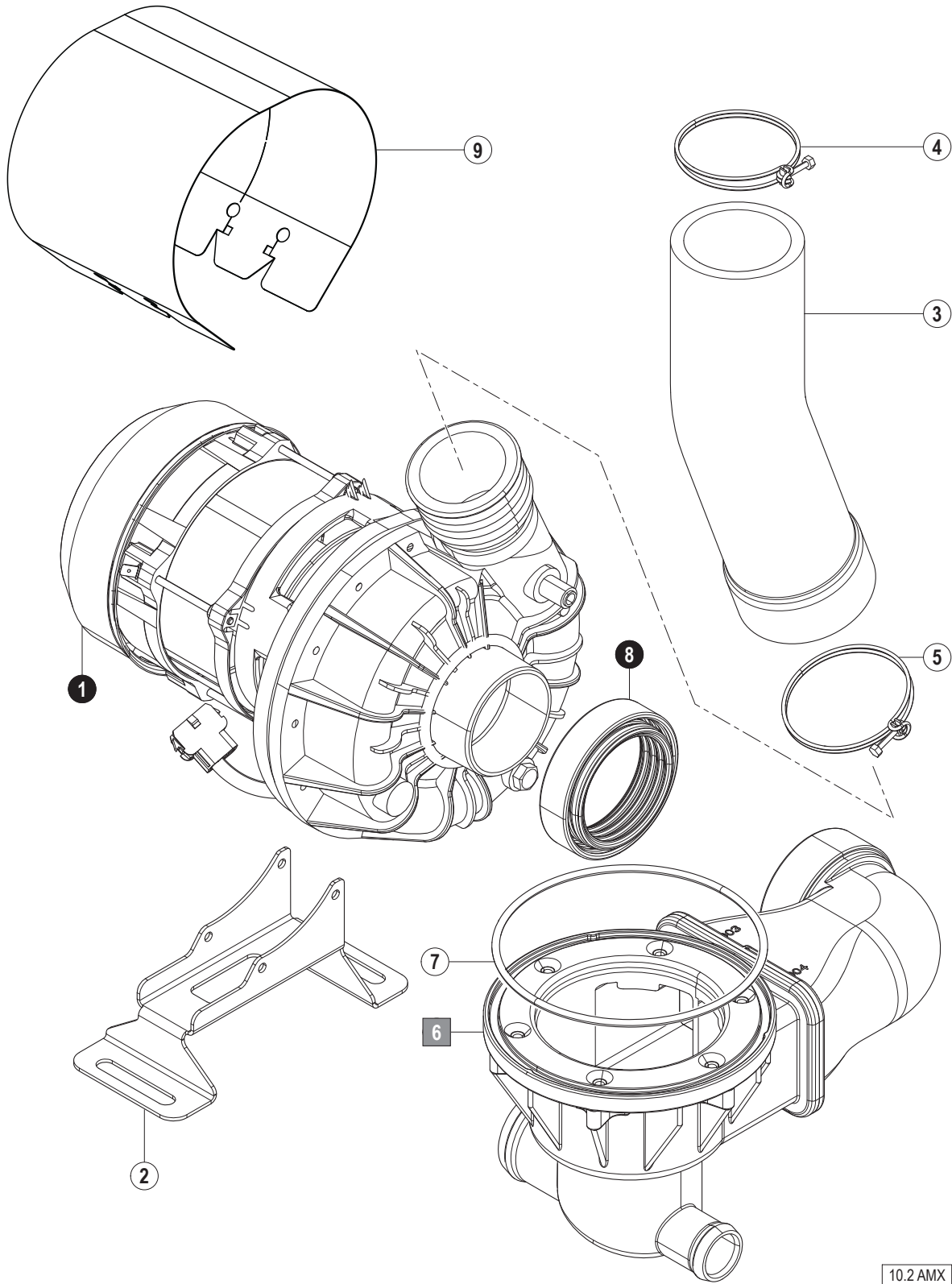
15. Wash pump AMX



10.1 AMX

Pos. no.	Part no.	Part name	Remarks
1	01-515765-001	wash pump	
	01-515765-010	Spare parts kit 50 Hz	
	01-515765-020	Spare parts kit 60 Hz	
2	01-515692-001	Bracket pump	
3	01-515798-001	hose	
4	00-323945-064	hose clip	
5	00-323945-072	hose clip	
6	01-515652-001	Tank flange	
7	00-276903-028	O-ring	
8	01-515893-002	sealing	
9	00-603373-000	Washer	
10	01-539656-001	Cover pump	

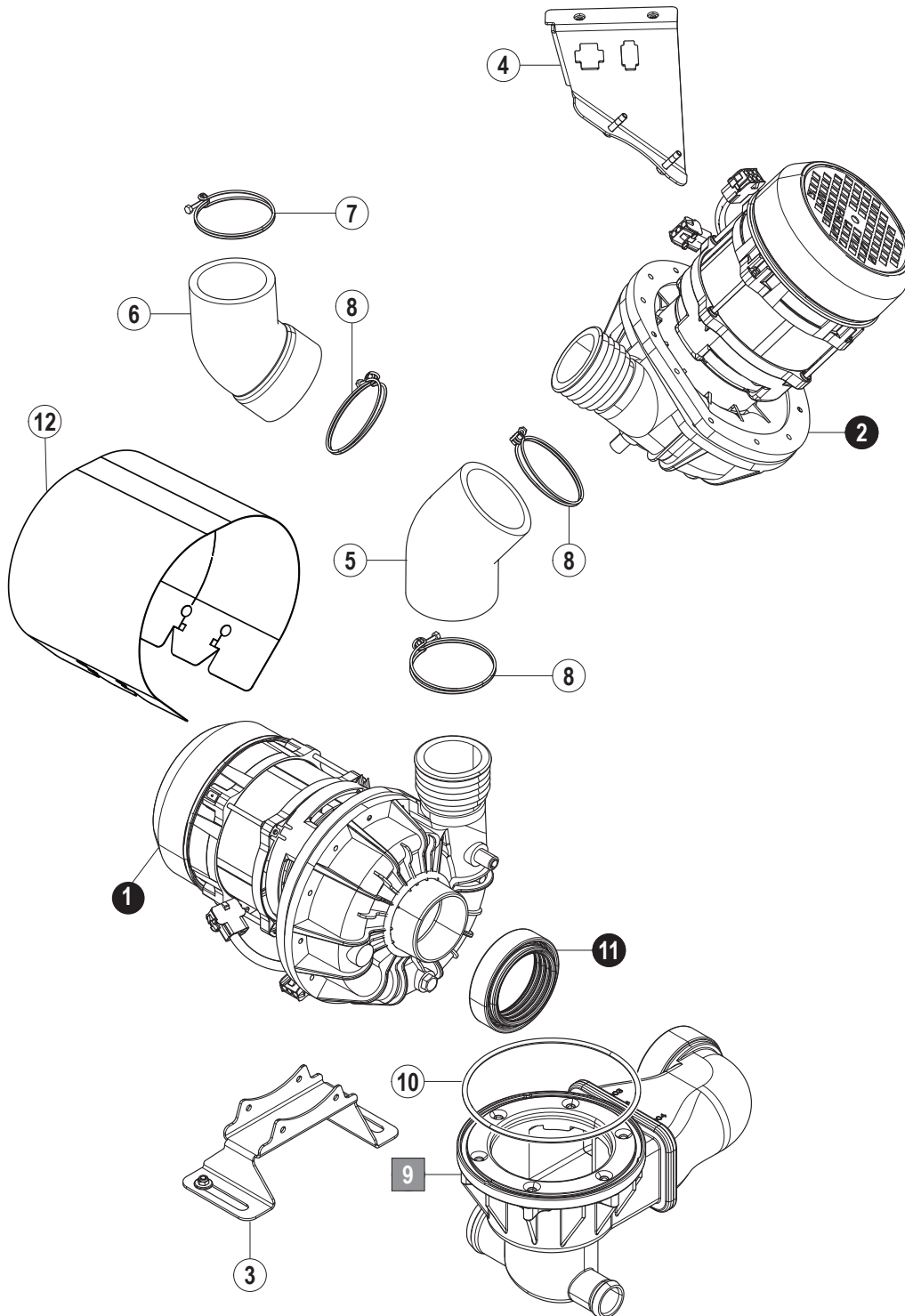
16. Wash pump AMXX



Pos. no.	Part no.	Part name	Remarks
1	01-515768-001	wash pump	
	01-515768-010	Spare parts kit 50 Hz	
	01-515768-020	Spare parts kit 60 Hz	
2	01-515762-001	Bracket pump	
3	01-515799-001	hose	
4	00-323945-072	hose clip	
5	00-323945-076	hose clip	
6	01-515652-001	Tank flange	
7	00-276903-028	O-ring	
8	01-515893-001	sealing	
9	01-539656-001	Cover pump	

Wash pump AUP

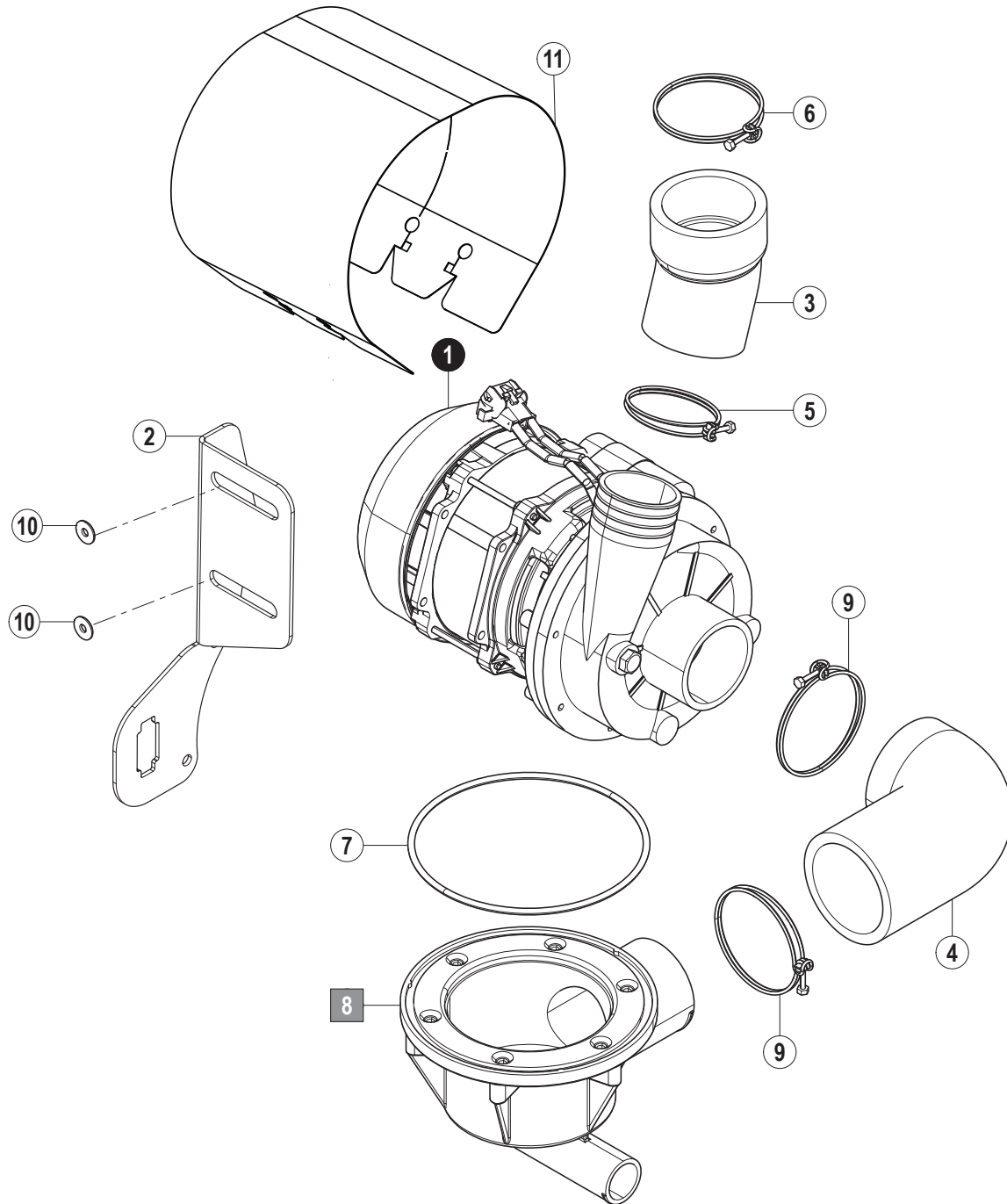
17. Wash pump AUP



10.3 AMX

Pos. no.	Part no.	Part name	Remarks
1	01-515768-001	wash pump	
	01-515768-010	Spare parts kit 50 Hz	
	01-515768-020	Spare parts kit 60 Hz	
2	01-515770-001	wash pump	
	01-515770-010	Spare parts kit 50 Hz	
	01-515770-020	Spare parts kit 60 Hz	
3	01-515689-001	Bracket pump	
4	01-515874-001	Bracket pump	
5	01-515864-001	hose	
6	01-515865-001	hose	
7	00-323945-072	hose clip	
8	00-323945-076	hose clip	
9	01-515652-002	Tank flange	
10	00-276903-028	O-ring	
11	01-515893-001	sealing	
12	01-539656-001	Cover pump	

18. Wash pump AM900-30A

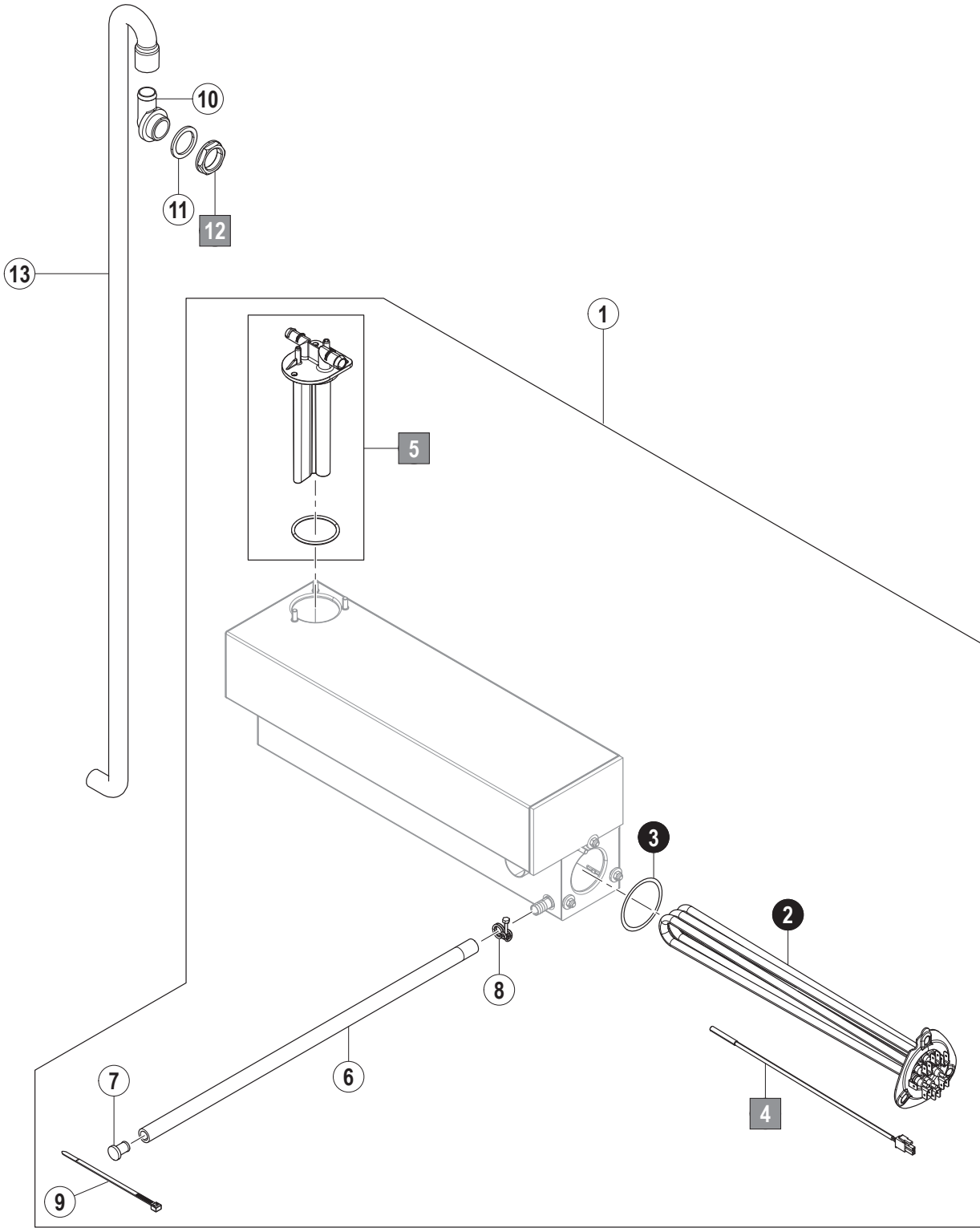


10.4 AMX

Pos. no.	Part no.	Part name	Remarks
1	01-515765-001	wash pump	
	01-515765-010	Spare parts kit 50 Hz	
	01-515765-020	Spare parts kit 60 Hz	
2	01-515692-001	Bracket pump	
3	01-515798-001	hose	
4	01-515945-001	hose	
5	00-323945-064	hose clip	
6	00-323945-072	hose clip	
7	00-276903-028	O-ring	
8	00-883735-001	Tank flange	
9	00-323945-076	hose clip	
10	00-603373-000	Washer	
11	01-539656-001	Cover pump	

Hot water tank 6,15 kW

19. Hot water tank 6,15 kW

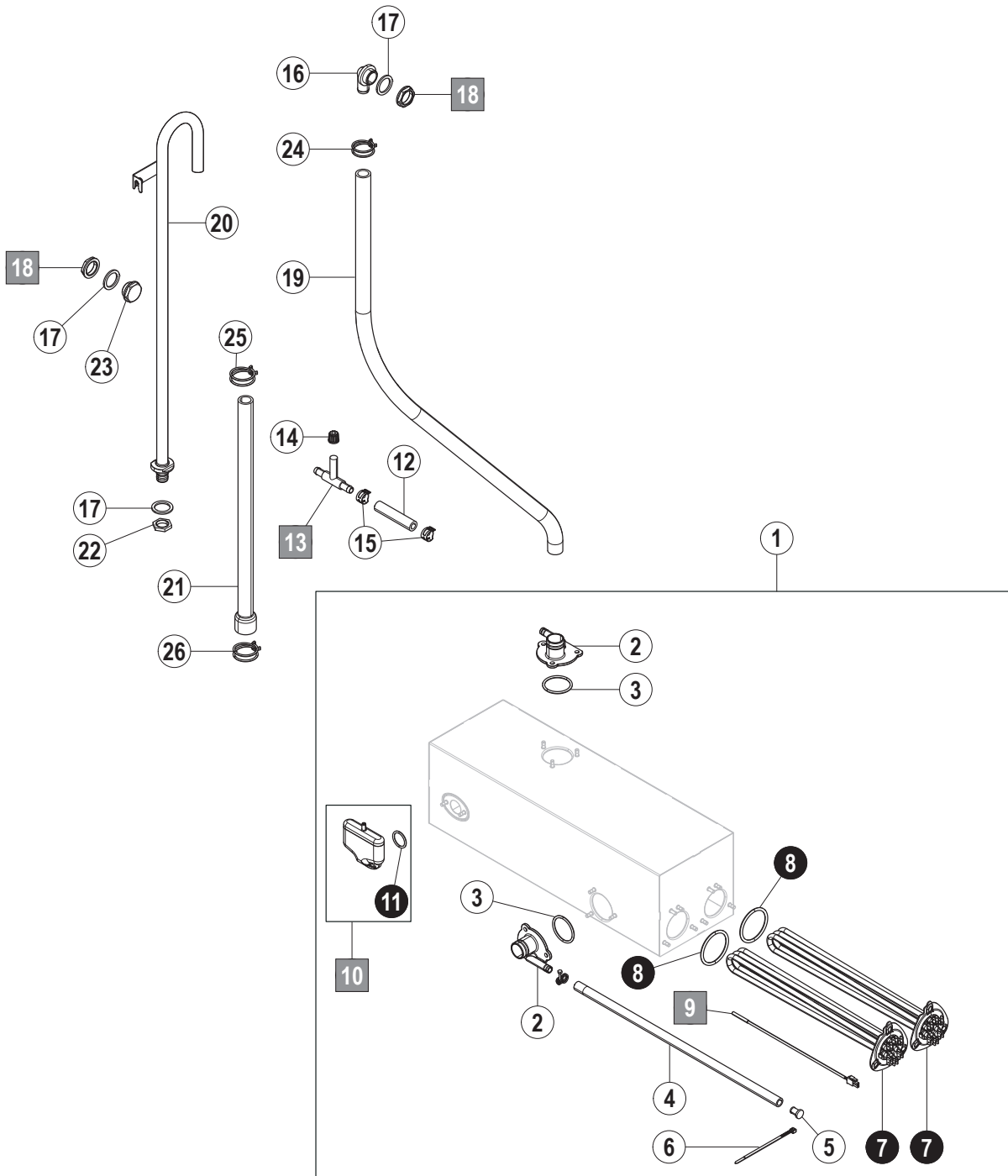


06.1 AMX

Pos. no.	Part no.	Part name	Remarks
1	01-515141-001	Hot water tank, compl.	incl. Pos. 2 - 9
2	01-515258-001	boiler heating	
3	01-240135-011	O-ring	
4	00-775612-001	temperature sensor	
5	01-515332-001	Spare parts kit hot water tank connection chamber	
6	00-774080-001	hose	
7	00-774512-001	plug	
8	00-323945-015	hose clip	
9	00-165128-001	Cable tie	
10	00-324097-000	filler piece	
11	00-775305-001	sealing	
12	00-324384-000	nut	
13	01-515854-001	hose	

Hot water tank 12,3 kW

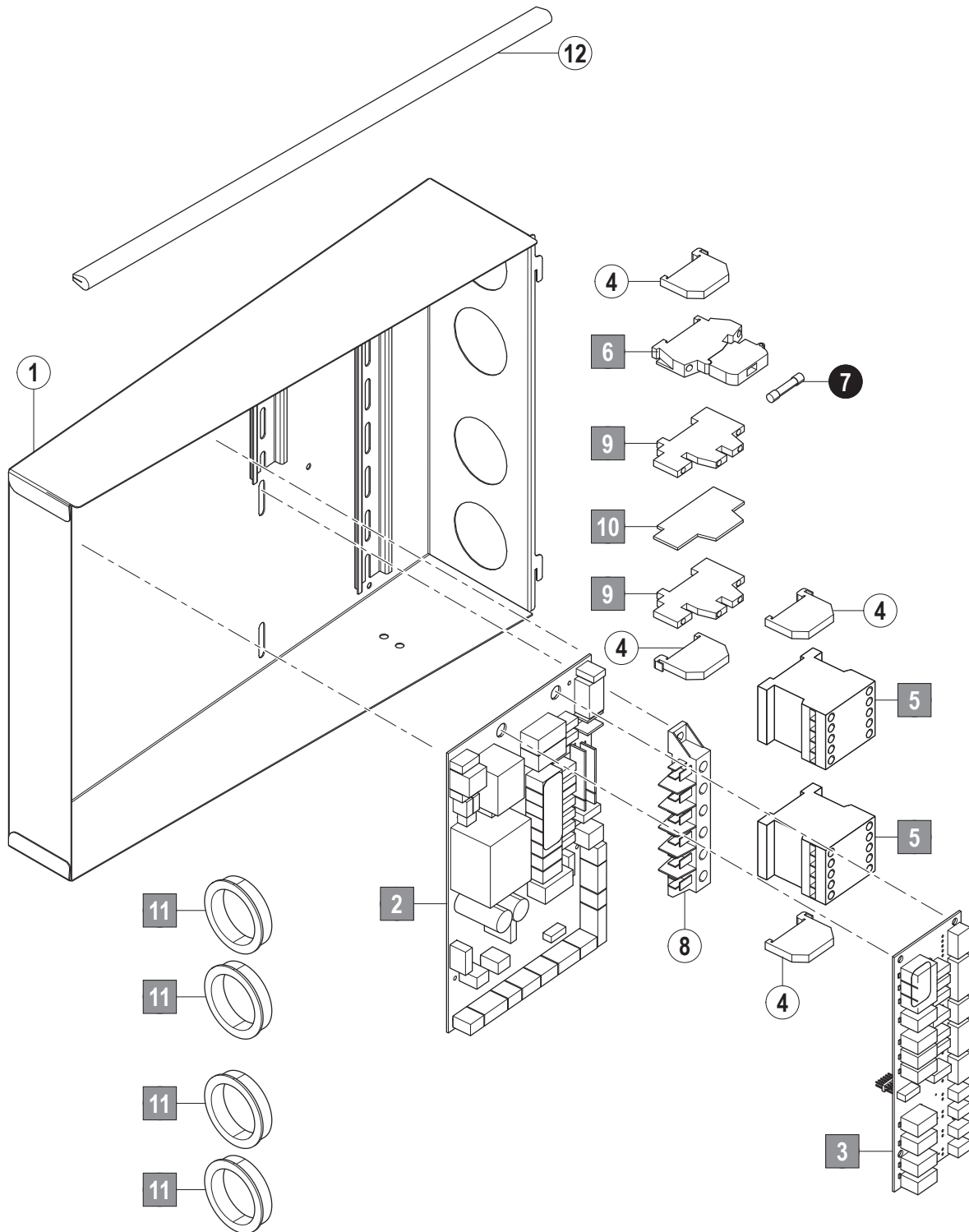
20. Hot water tank 12,3 kW



06.2 AMX

Pos. no.	Part no.	Part name	Remarks
1	01-515695-001	Hot water tank, compl.	incl. Pos. 2 - 11
2	01-515731-001	Pump intake	
3	00-276903-064	O-ring	
4	00-774080-001	hose	PROFI only
5	00-774512-001	plug	PROFI only
6	00-165128-001	Cable tie	PROFI only
7	01-515258-001	boiler heating	
8	01-240135-011	O-ring	
9	00-775612-001	temperature sensor	
10	01-240372-001	Air chamber, replacement kit	incl. Pos. 11
11	00-276903-056	O-ring	
12	01-297802-002	hose	PROFI only
	01-297802-009	hose	PREMAX only
13	01-297803-001	T-piece dosing	
14	00-775507-001	Screw connection	
15	01-246214-002	hose clip	
16	00-324097-000	filler piece	
17	00-775305-001	sealing	
18	00-324384-000	nut	
19	01-539567-001	hose	
20	01-539572-001	Elbow pipe	PREMAX only
21	01-539567-002	hose	PREMAX only
22	00-172739-001	nut	PREMAX only
23	01-297500-001	Cover	PREMAX only
24	00-324510-242	hose clip	
25	00-323945-025	hose clip	
26	00-324510-356	hose clip	

21. Switch box

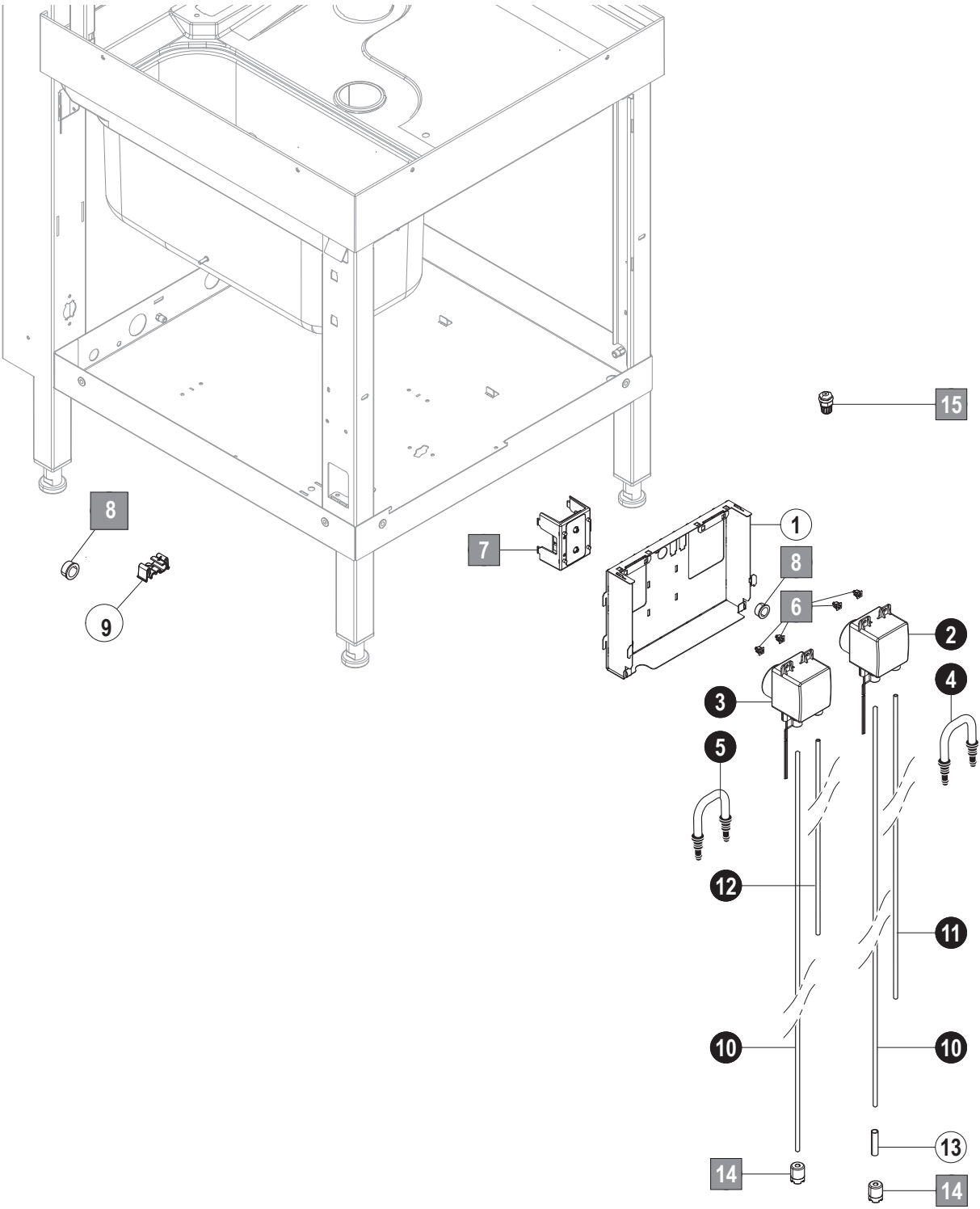


07.0 AMX

Pos. no.	Part no.	Part name	Remarks
1	01-515748-001	Switch box premouted	
2	01-515340-001	Spare parts kit control system	
3	01-515051-001	extension board	
4	00-323981-001	end clamp	
5	00-695521-062	contactor	
6	00-775548-001	Fuse clip and disconnect terminal	
7	00-775570-001	fuse	
8	00-774055-001	connection block	
9	00-785508-001	Two-tier terminal	
10	00-785508-011	Core end plate	
11	00-886756-001	Insulation bushing	
12	00-229169-013	Rubber profile	

Dosage

22. Dosage

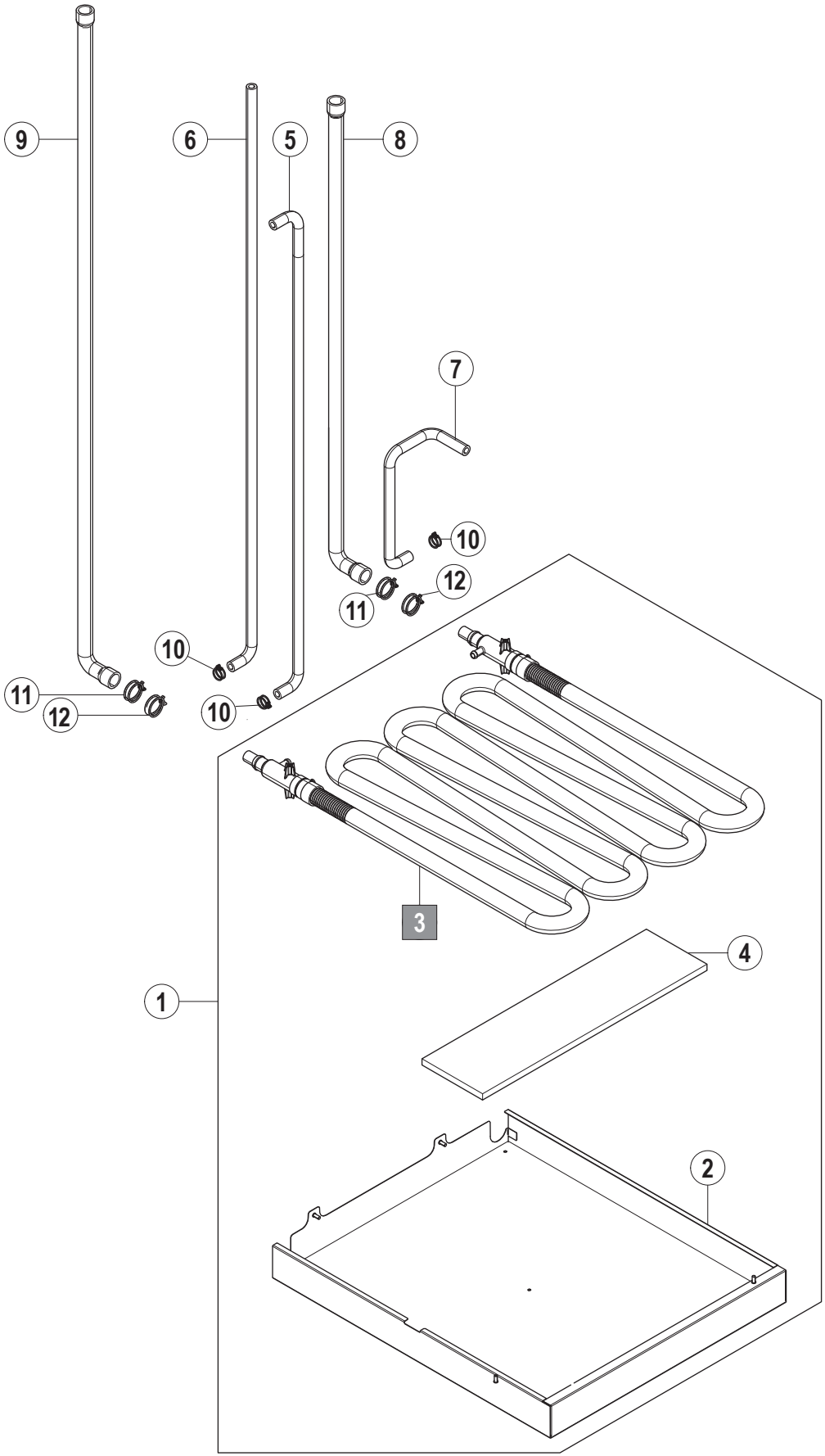


08.0 AMX

Pos. no.	Part no.	Part name	Remarks
1	01-515898-001	Braket dosing unit	
2	01-515268-001	Dosing unit rinse aid	PREMAX only
	01-515269-006	Dosing unit rinse aid	PROFI only
3	01-515268-002	Dosing unit detergent	
4	01-515268-011	Spare parts kit mill hose rinse aid	PREMAX only
	00-775608-003	Spare parts kit mill hose rinse aid	PROFI only
5	01-515268-012	Spare parts kit mill hose detergent	
6	00-775460-001	Nut	
7	01-294204-001	Chemical deficiency sensor	
8	00-886756-004	Insulation bushing	
9	01-515242-001	hose guidance rail	
10	01-246301-011	Suction hose	
	01-515410-011	Suction hose	Australia only
11	01-246301-020	pressure hose rinse aid	
	01-515410-006	pressure hose rinse aid	Australia only
12	01-246301-016	pressure hose detergent	
	01-515410-016	pressure hose detergent	Australia only
13	01-246210-001	Hose shell, blue	
14	00-775239-001	suction piece	
15	00-883676-001	Spare parts kit dosing nipple	

Waste water heat recovery

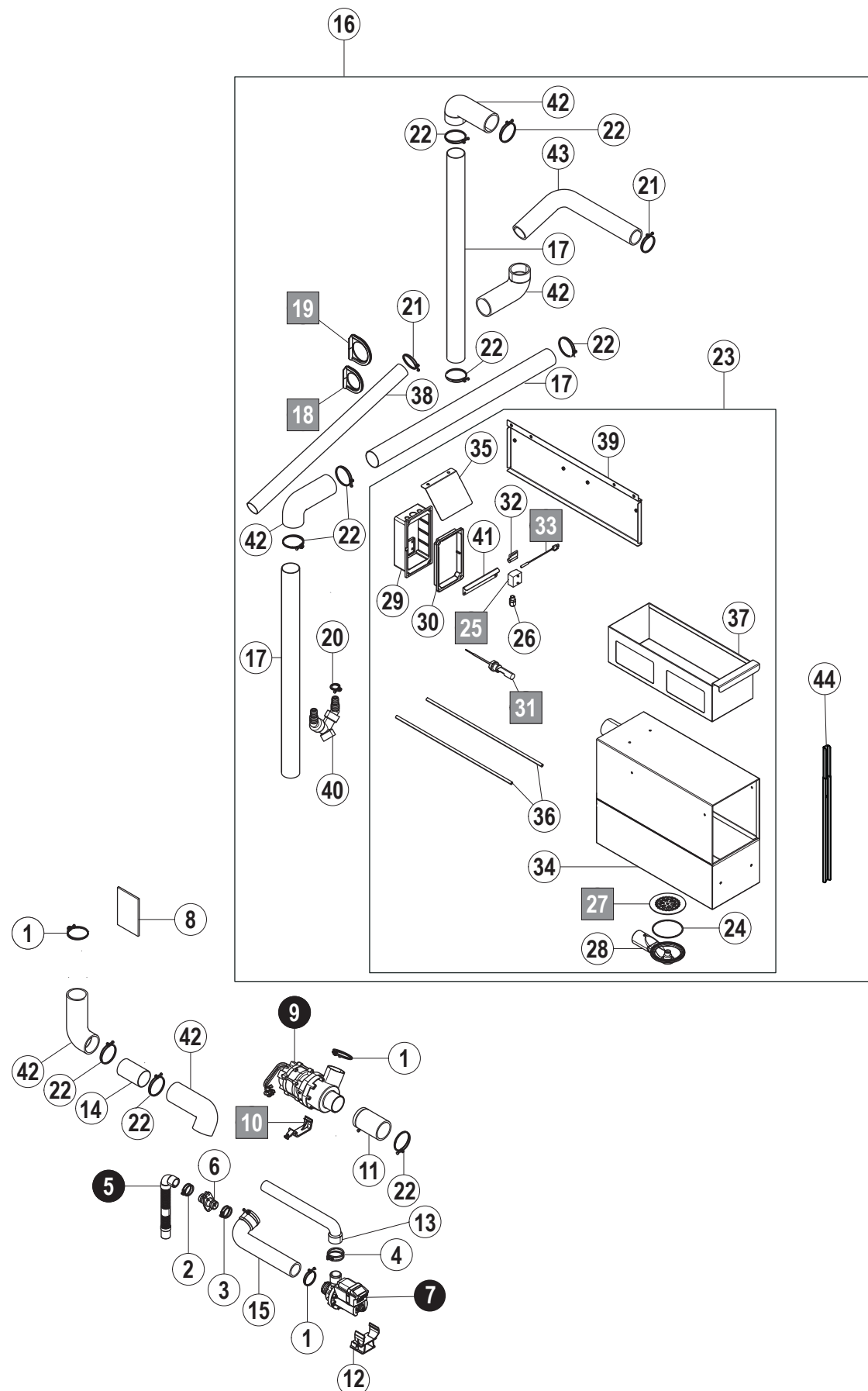
23. Waste water heat recovery



09.0 AMX

Pos. no.	Part no.	Part name	Remarks
1	01-515842-001	Drain heat recovery compl.	incl. Pos. 2 - 4
2	01-515841-001	Housing drain water heat recovery	
3	01-515635-001	Waste water heat recovery	
4	01-539582-001	Insulation	
5	01-539513-001	hose	With softener
6	01-539514-001	hose	Without softener
7	01-539515-001	hose	
8	01-515894-001	hose	
9	01-515895-001	hose	
10	01-246214-002	hose clip	
11	00-323945-025	hose clip	
12	00-323945-029	hose clip	

24. ASR

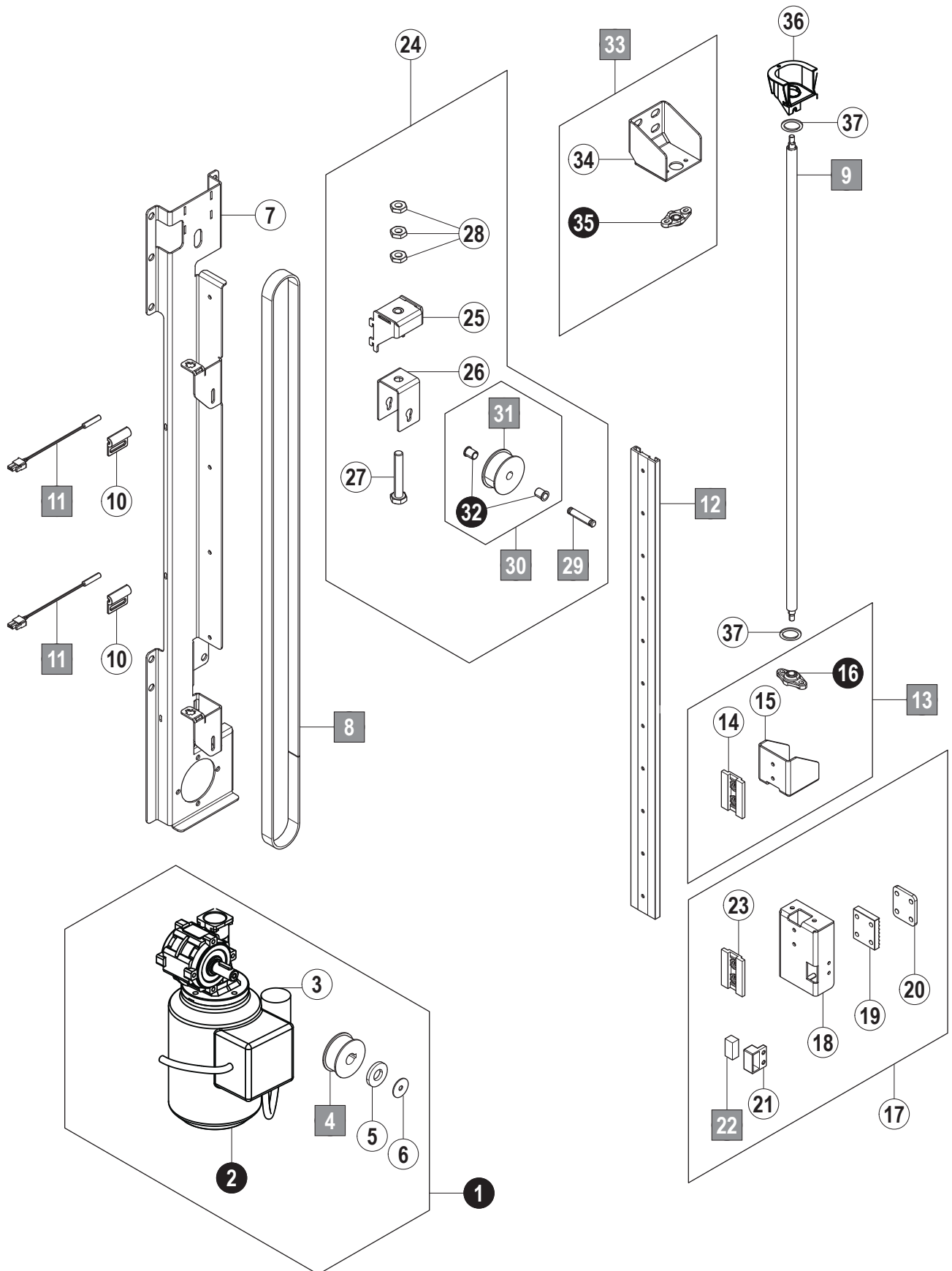


11.1 AMX

Pos. no.	Part no.	Part name	Remarks
1	00-323945-046	hose clip	
2	00-324510-287	hose clip	
3	00-324510-313	hose clip	
4	00-324510-388	hose clip	
5	00-883961-002	drain hose	
6	01-240159-001	Drain connection	
7	01-297707-002	drain pump	
8	01-515343-001	Insulation	
9	01-297380-001	Drain pump	
10	01-515154-001	Bracket rinse pump	
11	01-515905-001	hose	
12	01-515923-001	Bracket pump	
13	01-539554-001	hose	
14	01-539586-008	Pipe	
15	01-539590-001	hose	
16	01-539625-001	Pipeworks ASR	incl. 17 43
17	01-539586-003	Pipe	
18	01-539608-001	Cover hose	
19	01-539609-001	Cover hose	
20	00-323945-029	hose clip	
21	00-323945-053	hose clip	
22	00-323945-064	hose clip	
23	01-515795-001	Drain pan	incl. Pos. 24 - 41
24	01-245340-004	O-ring	
25	00-325056-000	Terminal block light beam	
26	00-695661-001	cable fitting	
27	01-245107-001	Coarse strainer	
28	01-245109-001	Drain	
29	01-245373-001	Clamping box	
30	01-245374-001	Cover clamping box	
31	01-511207-001	Float switch	
32	01-515259-001	Bracket gas reed switch	
33	01-515276-001	reed switchreed switch	
34	01-515862-001	Drain pan	
35	01-539673-001	Deflector	
36	01-539524-001	Support bar	
37	01-539525-001	Strainer drawer	
38	01-539592-001	Pipe	
39	01-539594-001	Adapter plate	
40	01-539631-001	Double hose connection	
41	01-539551-001	Block strainer drawer	
42	01-539534-001	Bow	

Pos. no.	Part no.	Part name	Remarks
43	01-539535-001	hose	
44	01-539646-001	Adapter stripes	

25. Hoodlift



24.b AMX

Pos. no.	Part no.	Part name	Remarks
1	01-539547-001	Motor compl.	incl. Pos. 2 - 5
2	01-539558-001	Motor	
3	01-539558-010	condensor	
4	01-515655-001	Toothed belt	
5	01-515656-001	Distance ring	
6	00-228694-005	Washer	
7	01-539618-001	Connection machine	
8	01-539629-001	Toothed belt	
9	01-515670-001	Hoist rod	
10	01-515259-001	Bracket gas reed switch	
11	01-515276-001	reed switchreed switch	
12	01-515662-001	Bearing	
13	01-515683-001	Hoist slider compl.	incl. Pos. 13 - 15
14	01-515665-001	Slider	
15	01-515666-001	Hoist slider	
16	01-515667-001	Flange bearing	
17	01-539634-001	Clamping plate compl.	incl. Pos. 17 - 22
18	01-539633-001	Belt slider	
19	01-539630-001	Crown gear	
20	01-539628-001	Clamping plate	
21	01-510648-001	Magnet retainer	
22	00-775860-001	magnet	
23	01-515665-001	Slider	
24	01-539614-001	Fastening device	incl. Pos. 24 - 31
25	01-539622-001	Fastening plate	
26	01-539612-001	Wheel support	
27	00-602561-000	Screw	
28	00-603465-000	nut	
29	01-515672-001	Fusing pin	
30	01-515659-001	Toothed belt wheel compl.	incl. Pos. 30 + 31
31	01-515660-001	Toothed belt	
32	01-515661-001	Slide bearings	
33	01-539660-001	Hood stopper compl.	incl. Pos. 33 + 35
34	01-539671-001	Hood stopper	
35	01-515667-001	Flange bearing	
36	01-539639-001	Cover cable tube	
37	00-602287-000	Slice	

HOBART GmbH

Robert-Bosch-Str. 17
77656 Offenburg
Deutschland
Tel.: +49 (0)781.600-0
Fax: +49 (0)781.600-23 19
E-Mail: info@hobart.de
Internet: www.hobart.de

HOBART Export
Robert-Bosch-Str. 17
77656 Offenburg
Germany
Phone: +49 (0)781.600-2820
Fax: +49 (0)781.600-2819
E-Mail: info-export@hobart.de
Internet: www.hobart-export.com

Hobart UK.

Southgate Way,
Orton Southgate,
Peterborough
PE2 6GN
United Kingdom
Tel.: +44 (0)844 888 7777
Republic of Ireland: +353 (0)1246 0248
Fax: +44 (0)1733 361 347
E-mail: sales@hobartuk.com
Internet: www.hobartuk.com

Compagnie HOBART SAS

Allée du 1er mai
77183 Croissy Beaubourg
FRANCE
Tel: +33 (0)1 64 11 60 00
Fax: +33 (0)1 64 11 60 10
E-mail: contact@hobart.fr
Internet: www.hobart.fr

Hobart Nederland BV

Pompmolenlaan 12
3447 GK Woerden
Telefoon +31 (0)348 462626
Fax: +31 (0)348 430117
E-mail: info@hobartnederland.nl
Internet: www.hobartnederland.nl

Hobart Foster Belgium bvba/sprl

Industriestraat 6
1910 Kampenhout
Telefoon +32 (0) 16.60.60.40
Fax +32 (0) 16.60.59.88
E-mail: info@hobart.be
Internet: www.hobart.be

Hobart Norge

Gamle Drammenvei 120
N-1363 Høvik
Tlf.: +47-67109800
Fax: +47-67109801
E-post: post@hobart.no
Hjemmeside: www.hobart.no

Hobart Scandinavia ApS

Håndværkerbyen 27
2670 Greve
Danmark
Tlf.: +45 4390 5012
Fax.: +45 4390 5002
E-mail: salg@hobart.dk
Internet: www.hobart.dk

Hobart Sweden/Finland

Tel: +46 8 584 50 920
E-mail: info@hobart.se
Internet: www.hobart.se

Australia**Hobart Food Equipment**

Unit 1 / 2 Picken Street,
Silverwater NSW, 2128
Tel: +61 1800 462 278
Fax: +61 02 9714 0222
E-mail: sales@hobartfood.com.au
Internet: www.hobartequipment.com.au

HOBART China

15th Floor, Building A
New Caohejing International Business Center
391 Gui Ping Road
Shanghai, 200233
Telephone: +86 (0)21 34612000
Fax: +86 (0)21 34617166
Internet: www.hobartchina.com