



CATALOG OF REPLACEMENT PARTS

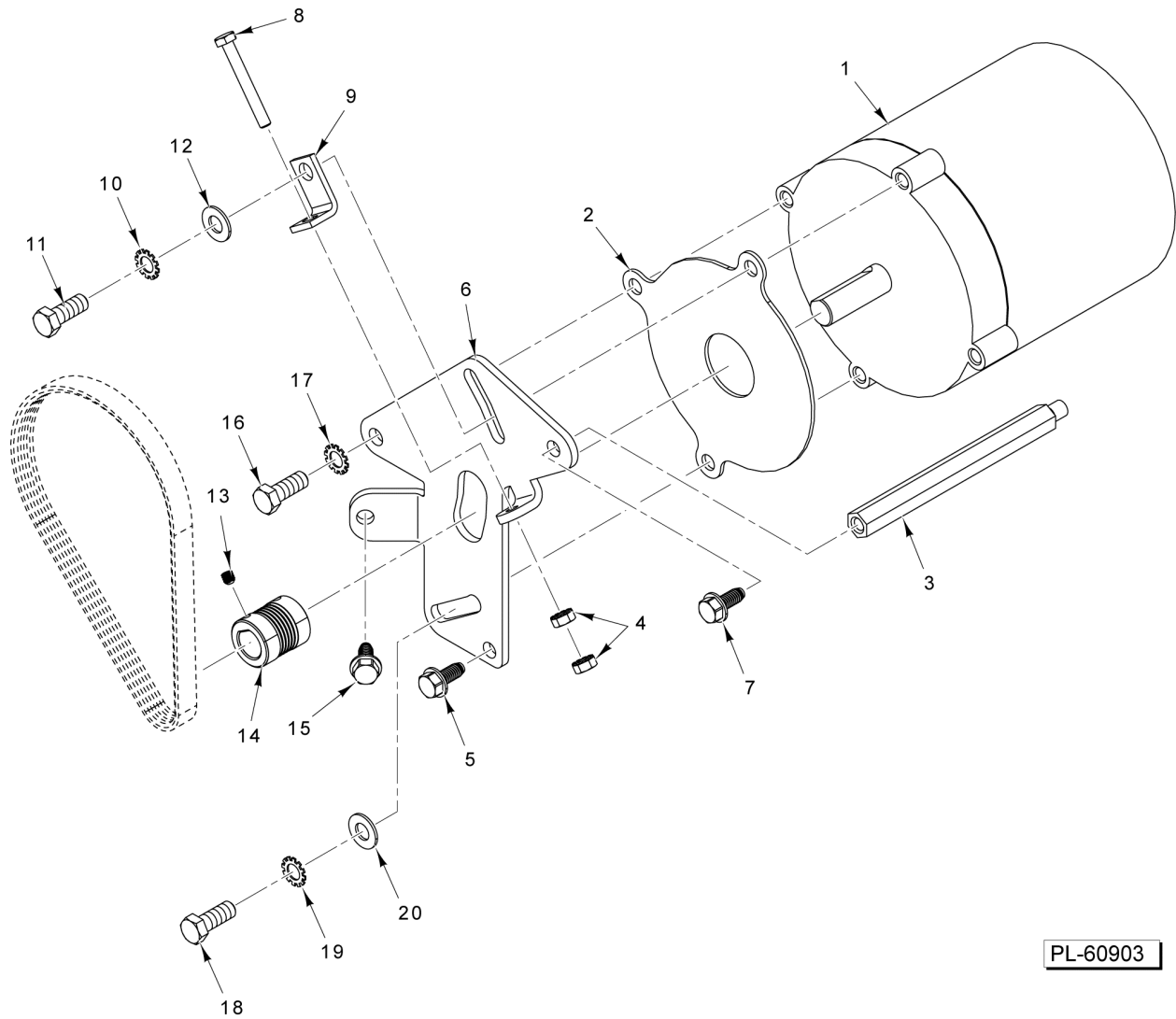


HS SERIES AUTOMATIC SLICERS

ML-136313	HS7
ML-136314	HS7N
ML-136317	HS7 (Canada)
ML-136318	HS7N (Canada)
ML-136324	HS7-PHS
ML-136315	HS9
ML-136316	HS9N
ML-136319	HS9 (Canada)
ML-136320	HS9N (Canada)
ML-136321	HS9-1B
ML-136322	HS9-2B (Canada)
ML-136323	HS9

Table of Contents

5 KNIFE DRIVE MOTOR
7 TOP COVER AND RING GUARD
9 KNIFE AND KNIFE SHAFT
11 GAUGE PLATE AND INDEX
13 PRODUCT TRAY AND MEAT GRIP ASSEMBLY
15 KNIFE SHARPENER ASSEMBLY
17 TRANSPORT CARRIAGE ASSEMBLY
19 AUTO DRIVE ASSEMBLY
21 AUTO DRIVE LEVER
23 CONTROLS AND ELECTRICAL COMPONENTS
25 WIRE HARNESSSES
27 AUTO BASE LIFT LINKAGE AND GAS SPRING
29 ACCESSORIES

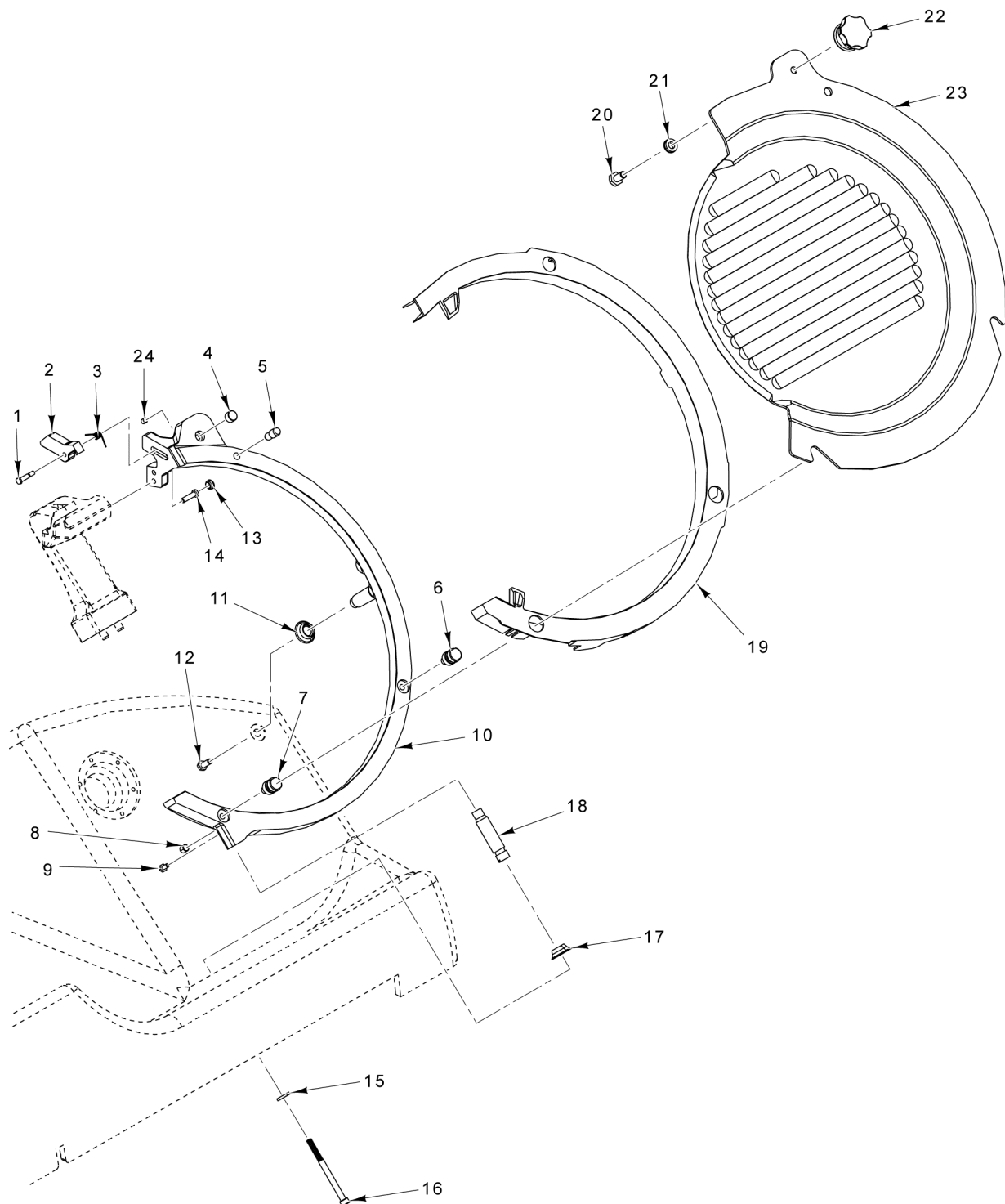


PL-60903

KNIFE DRIVE MOTOR

KNIFE DRIVE MOTOR

ILLUS.	PART NO.	NAME OF PART	AMT.
PL-60903			
1	00-438846-00001	Motor (60 Hz.).....	1
2	00-439032	Gasket - Motor.....	1
3	00-438984	Standoff.....	1
4	NS-044-14	Nut 1/4-20 Hex KEPS.....	2
5	SD-038-18	Self-Tapping Screw 5/16-18 x 3/4 Hex Washer Hd., Type RL.....	1
6	00-477760	Plate - Motor.....	1
7	SD-038-18	Self-Tapping Screw 5/16-18 x 3/4 Hex Washer Hd., Type RL.....	1
8	SC-118-98	Cap Screw 1/4-20 x 2 Hex Hd.....	1
9	00-477532	Bracket - Tensioner Adjustment.....	1
10	WL-007-25	Lockwasher 3/8 External.....	1
11	SC-037-73	Cap Screw 3/8-16 x 1 Hex Hd.....	1
12	WS-018-22	Washer.....	1
13	SC-123-65	Set Screw 1/4-28 x 3/8 Hex Hdls., Flat Pt. (SST).....	2
14	00-438844-00002	Sheave - Poly "V".....	1
15	SD-038-18	Self-Tapping Screw 5/16-18 x 3/4 Hex Washer Hd., Type RL.....	1
16	SC-037-73	Cap Screw 3/8-16 x 1 Hex Hd.....	1
17	WL-007-25	Lockwasher 3/8 External.....	1
18	SC-037-73	Cap Screw 3/8-16 x 1 Hex Hd.....	1
19	WL-007-25	Lockwasher 3/8 External.....	1
20	WS-018-22	Washer.....	1

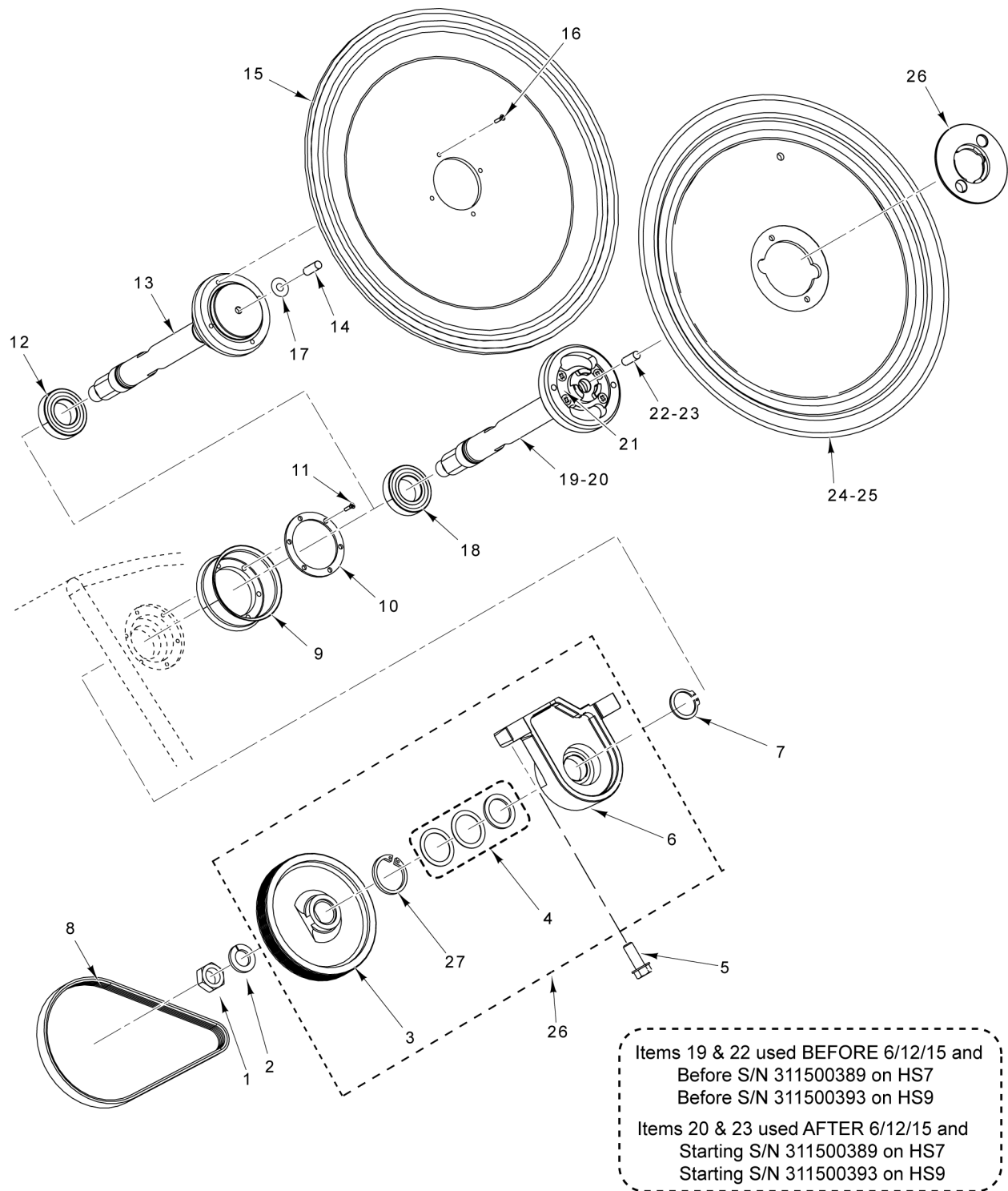


PL-60904

TOP COVER AND RING GUARD

TOP COVER AND RING GUARD

ILLUS.	PART NO.	NAME OF PART	AMT.
PL-60904			
1	00-914411	Pin - Lock.....	1
2	00-914409-00003	Lock - Knife Edge Protector.....	1
3	00-914425	Lock - Torsion Spring.....	1
4	00-915319	Magnet.....	1
5	00-915299	Pin - Top Cover.....	1
6	00-915378	Pin - Tapered.....	1
7	00-915378	Pin - Tapered.....	1
8	00-914634	Magnet - Product Deflector.....	1
9	SC-130-21	Mach. Screw 6-32 x 5/16 Hex Hd. (SST).....	1
10	00-915390	Ring Guard Assy. (Incls. Items 1 thru 9 & 24).....	1
11	00-914429	Boot - Ring Guard.....	1
12	SC-037-80	Cap Screw 10-24 x 1/2 Hex Hd.....	1
13	00-914430	Plug.....	2
14	SC-129-78	Cap Screw 8-32 x 5/8 Hex Socket Hd.....	2
15	WS-031-78	Washer.....	1
16	SC-131-56	Cap Screw 10-24 x 2-1/2 Hex Socket Hd.....	1
17	00-914429	Boot - Ring Guard.....	1
18	00-915300	Post - Ring Guard.....	1
19	00-914408	Cover - Ring Guard.....	1
20	SC-131-80	Cap Screw 1/4-20 x 1/2 Hex Hd. (SST).....	1
21	WS-031-80	Washer.....	1
22	00-915297	Knob - Top Cover.....	1
23	00-915391	Top Cover Assy. (Incls. Items 20, 21, & 22).....	1
24	SC-131-63	Set Screw 1/4-20 x 1/4 Hex Hdls., Flat Pt. (SST).....	1



PL-60905

KNIFE AND KNIFE SHAFT

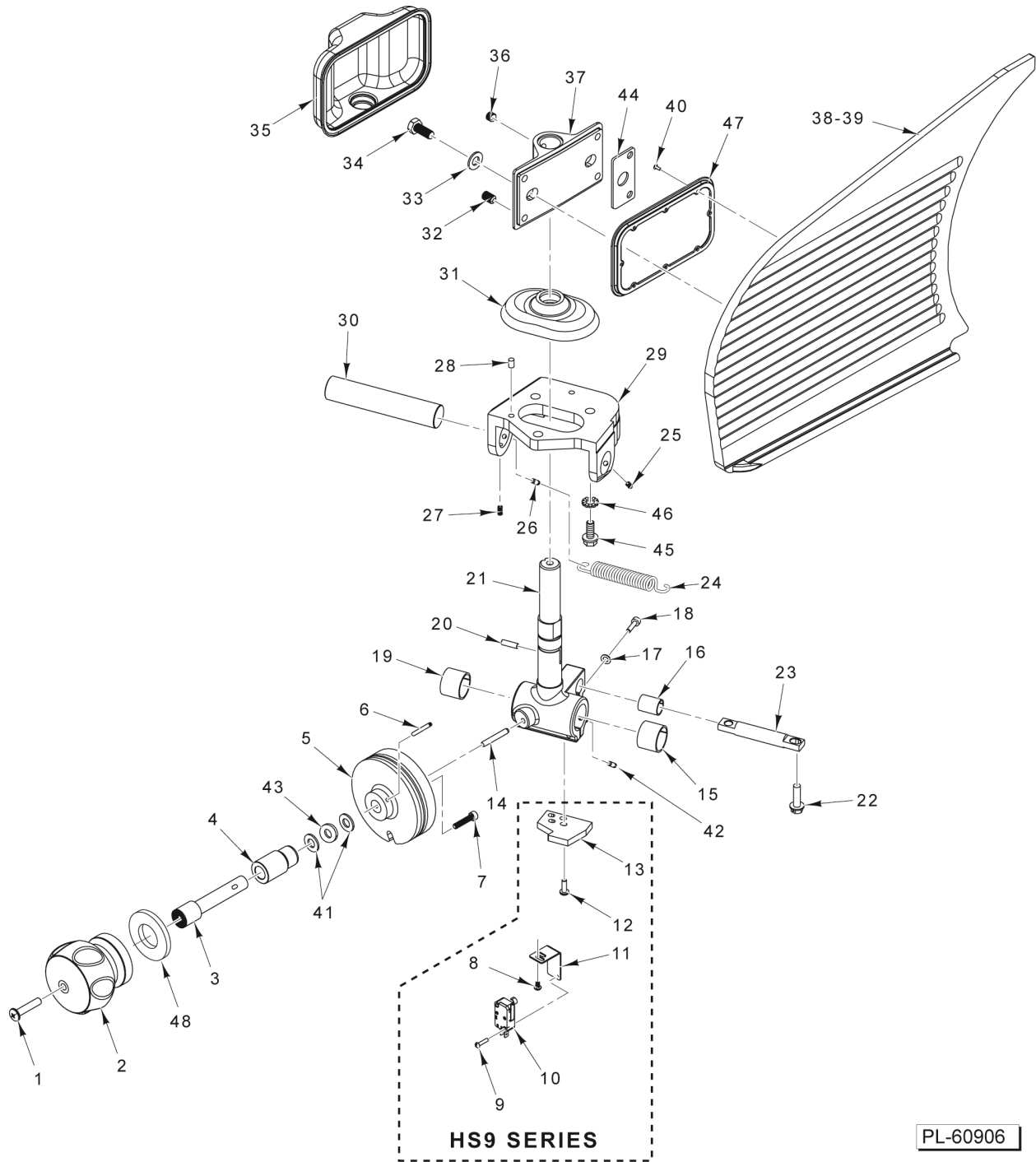
KNIFE AND KNIFE SHAFT

ILLUS.	PART NO.	NAME OF PART	AMT.
PL-60905			
1	NS-017-41	Jam Nut 5/8-18 Hex (SST).....	1
2	WL-004-17	Lockwasher 5/8 Light.....	1
*3	00-937968	Sheave - Poly "V" Large 6 Groove *See Note.....	1
*4	00-937970	Washer Assy. *See Note.....	1
5	SC-123-50	Cap Screw 3/8-16 x 1 Hex Washer Hd.....	2
6	00-875180-00002	Retainer - Lower Hub & Bearing.....	1
7	RR-009-07	Retaining Ring.....	1
8	00-438845	Belt - Poly "V".....	1
9	00-915341	Boot - Knife Shaft.....	1
10	00-915342	Ring - Boot.....	1
11	SC-131-62	Cap Screw 8-32 x 7/8 Hex Socket Hd. (SST).....	6
12	BB-021-66	Bearing - Ball.....	1
13	00-915283-00003	Knife Shaft Assy. (Non-Removable) (Incls. Item 12).....	1
14	00-915308	Plug - Rulon.....	1
15	00-914753-00002	Knife - Slicer Pack (Non-Removable).....	1
16	SC-114-99	Mach. Screw 10-32 x 1/2 Phil. Flat Hd. (SST).....	4
17	WS-031-82	Washer 0.289 X 0.365 X 0.016 (SST).....	AR
18	BB-021-66	Bearing - Ball.....	1
**19	00-915421	Knife Shaft Assy. (Removable) (Adjustable Rulan Screw) (Incls. Item 18).....	1
***20	00-915421-00002	Knife Shaft Assy. (Removable) (Non Adjustable Rulan Plug) (Incls. Item 18).....	1
21	00-915137	Plunger - Spring 8-32 Thread.....	1
**22	00-914561	Screw - Rulon.....	1
***23	00-915308	Plug - Rulon.....	1
24	00-914753	Knife - Slicer Pack (Removable).....	1
25	00-914753-00003	Knife - Slicer Pack (Removable) (HS9-1B & HS9-2B).....	1
26	00-914422	Plate - Knife Removal Clamp.....	1
*27	RR-012-48	Retaining Ring *See Note.....	1
28	00-937969	I-Kit, Lower Hub and Bearing (Includes Items 3, 4, 6 & 27).....	1

* Note: Items 3, 4 & 27 should only be ordered individually if already present in slicer, otherwise order item 28.

** (Used Before 6/12/15 and Before S/N 311500389 on HS7; 311500393 on HS9)

*** (Used After 6/12/15 and Starting S/N 311500389 on HS7; 311500393 on HS9)

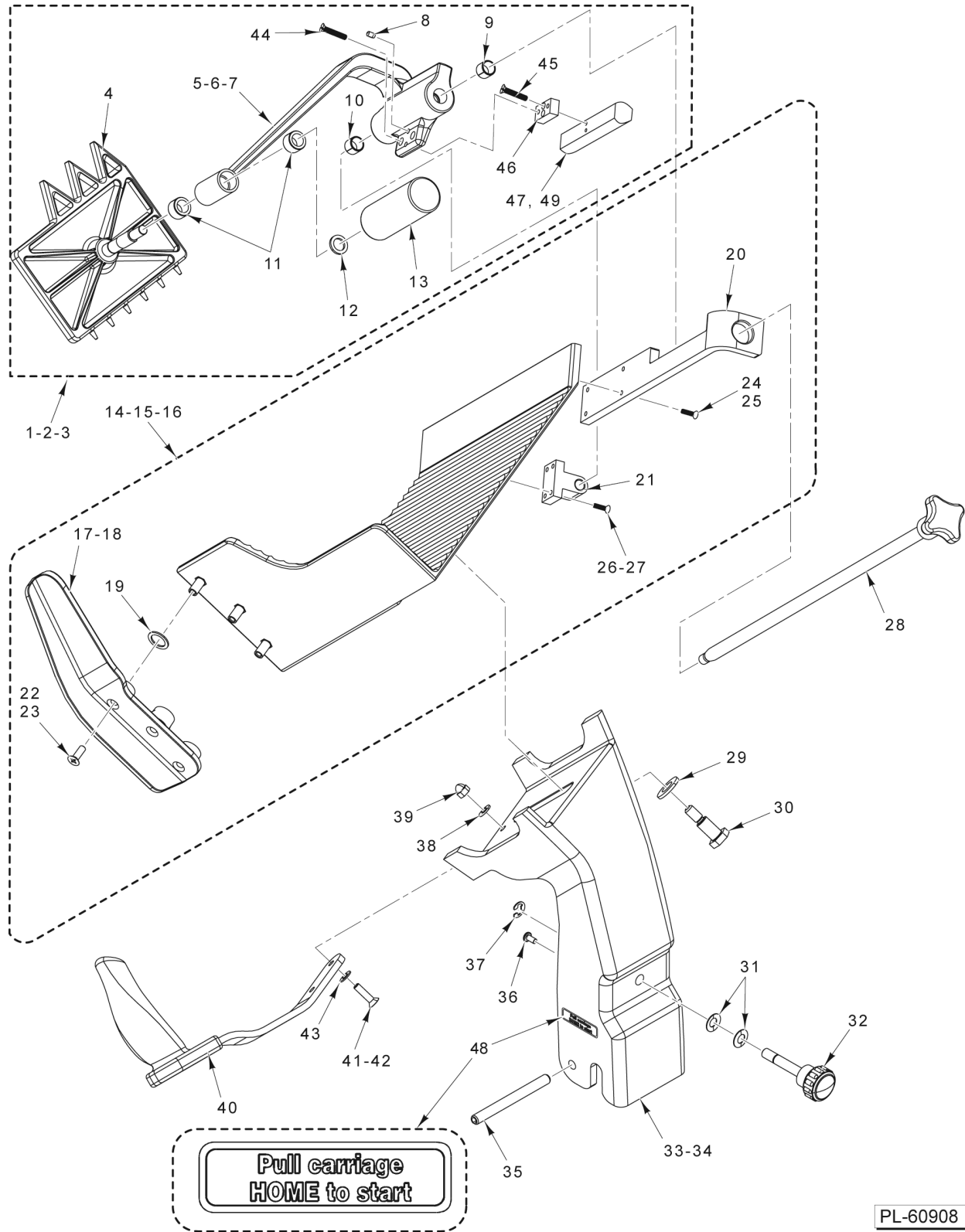


GAUGE PLATE AND INDEX

GAUGE PLATE AND INDEX

ILLUS.	PART NO.	NAME OF PART	AMT.
PL-60906			
1	SC-125-95	Mach. Screw 1/4-20 x 1-1/4 Phil. Pan Hd. (SST).....	1
*2	00-937967	Knob - Index Assy.....	1
3	00-915305	Shaft - Index Knob.....	1
4	00-915304	Bushing - Index.....	1
5	00-915335-00001	Cam - Index.....	1
6	RP-003-12	Roll Pin 1/8 Dia. x 1-1/4 Lg.....	1
7	SC-131-75	Cap Screw 10-32 x 7/8 Hex Socket Hd. (SST).....	1
8	SC-125-33	Mach. Screw 6-32 x 1/4 Phil. Rd. Hd. (SST) (HS9 Series).....	2
9	SC-021-02	Mach. Screw 4-40 x 1/2 Slotted Rd. Hd. (SST) (HS9 Series).....	2
10	00-087711-00358	Switch - Miniature (Interlock) (HS9 Series).....	1
11	00-915291	Bracket (Close to Stop) (HS9 Series).....	1
12	SC-093-05	Mach. Screw 8-32 x 1/2 Slotted Pan Hd. (SST) (HS9 Series).....	4
13	00-915358	Bracket (Interlock Stop) (HS9 Series).....	1
14	00-478461	Pin - Index Cam.....	1
15	00-478426	Bushing - Index Slide.....	1
16	00-478425	Bushing - Anti-Rotation Rod.....	1
17	WS-008-13	Washer - Retaining.....	3
18	SC-124-46	Cap Screw 10-24 x 3/4 Hex Socket Hd.....	3
19	00-478426	Bushing - Index Slide.....	1
20	RP-002-35	Roll Pin 3/16 Dia. x 5/8 Lg. (SST).....	1
21	00-915306-00002	Slide - Index (Incls. Items 14 thru 20 & 42).....	1
22	SD-038-14	Self-Tapping Screw 1/4-20 x 7/8 Hex Washer Hd., Type RL (SST).....	2
23	00-478415	Rod - Index Anti-Rotation.....	1
24	00-478432	Spring - Index Backlash.....	1
25	SC-088-71	Set Screw 8-32 x 3/8 Hdls., Flat Pt.....	1
26	PG-011-38	Pin - Grooved 5/32 x 19/32 (SST).....	1
27	SC-088-71	Set Screw 8-32 x 3/8 Hdls., Flat Pt.....	1
28	00-011800-00305	Pin - Dowel 1/4 x 3/4.....	2
29	00-439072-00003	Support - Slide Index (Incls. Item 28).....	1
30	00-438886	Rod - Index Slide.....	1
31	00-915313	Boot - Index Slide.....	1
32	SC-131-74	Set Screw 5/16-24 x 1/2 Hex Hdls., Flat Pt.....	4
33	WS-005-32	Washer (SST).....	2
34	SC-062-72	Cap Screw 5/16-24 x 3/4 Hex Hd.....	2
35	00-915301	Boot - Gauge Plate.....	1
36	SC-117-68	Set Screw 5/16-24 x 3/8 Hex Hdls., Cone Pt.....	3
37	00-915289-00002	Support - Gauge Plate.....	1
38	00-915700	Plate - Gauge & Boot Bracket Assy. (SST) (Incls. Items 47, & 40) (HS9-B Series)	1
39	00-915282-00001	Plate - Gauge (All Except HS9-B Series) (Must Order Items 40 & 47 Also).....	1
40	00-121676-00001	Self-Tapping Screw #2 x 1/4 Truss Hd.....	8
41	WS-030-58	Washer 0.500 x 0.750 x 0.010 (SST).....	2
42	PG-011-19	Pin - Grooved 5/32 x 1/2 (SST).....	1
43	SL-005-18	Spring - Loading (0.523 I.D., 0.865 O.D., 0.010 Thk.) (SST) (Wavy).....	1
44		Plate (Obsolete) (Order Item 37).....	AR
45	SD-038-13	Self-Tapping Screw 5/16-18 x 7/8 Hex Washer Hd., Type RL.....	3
46	WL-007-20	Lockwasher 5/16 External Shakeproof.....	3
47	00-915293	Bracket - Gauge Plate Boot (Must Order Item 40 Also).....	1
48	00-558177	Shim 2 In. O.D. x 1 In. I.D. x 0.048 Thk.....	1

* Must Order Both Items 2 & 48 When Replacing

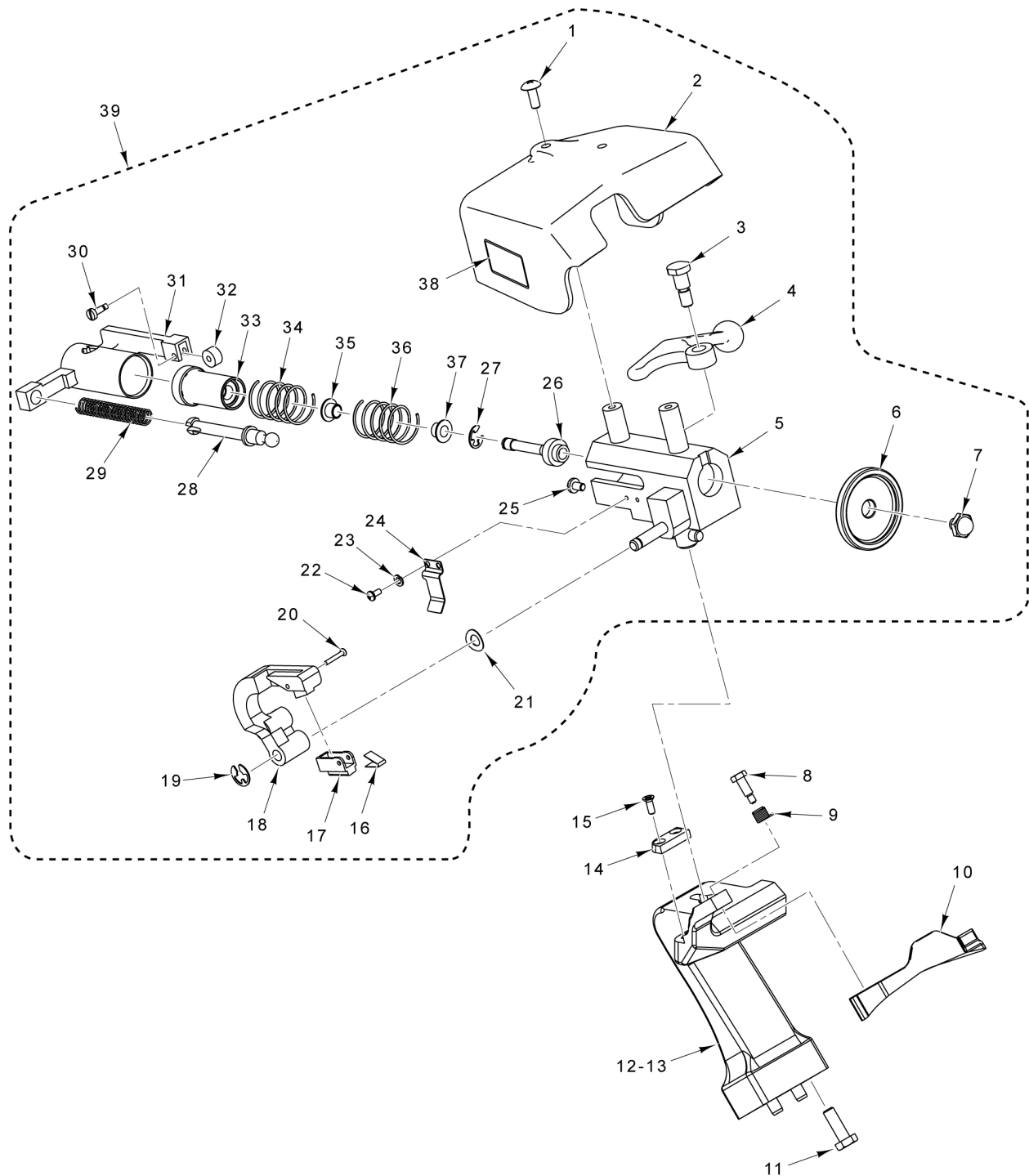


PRODUCT TRAY AND MEAT GRIP ASSEMBLY

PRODUCT TRAY AND MEAT GRIP ASSEMBLY

ILLUS. PL-60908	PART NO.	NAME OF PART	AMT.
1	00-915395-00002	Meat Grip Assy. (HS7 Series) (Incls. Items 4, 5, & 8 thru 13).....	1
2	00-915395-00001	Meat Grip Assy. (HS9 & HS9N) (Incls. Items 4, 6, & 8 thru 13).....	1
3	00-915395-00003	Meat Grip Assy. (HS9-B Series) (Incls. Items 4, 7 thru 13, & 44 thru 47).....	1
4	00-915257	Grip - Meat.....	1
5	00-915375-00002	Meat Grip Arm Assy. (HS7 Series) (Incls. Items 8 thru 11).....	1
6	00-915375-00001	Meat Grip Arm Assy. (HS9 & HS9N) (Incls. Items 8 thru 11).....	1
7	00-915597	Meat Grip Arm Assy. (HS9-B Series) (Incls. Items 8 thru 11 & 44 thru 47).....	1
8	00-914446	Pad - Stop.....	2
9	00-914452	Bearing - Grip Arm.....	1
10	00-914452	Bearing - Grip Arm.....	1
11	00-478254	Bushing.....	2
12	WS-021-21	Washer 0.500 x 0.750 x 0.093 (Nylon).....	1
13	00-914937	Handle - Meat Grip.....	1
14	00-915393	Product Tray Assy. (All Except HS7-PHS & HS9-B Series) (Incls. Items 17, 19 thru 22, 24, & 26).....	1
15	00-915393-00002	Product Tray Assy. (HS9-B Series) (Incls. Items 18 thru 22, 24, & 26).....	1
16	00-915393-00003	Product Tray Assy. (HS7-PHS Only) (Incls. Items 17, 19, 20, 21, 23, 25, & 27).....	1
17	00-915268	Guard - Thumb.....	1
18	00-915268-00002	Guard - Thumb (HS9-B Series).....	1
19	00-915275	Washer (Rubber).....	3
20	00-915259	Bracket - Support.....	1
21	00-915230-00002	Block - Support.....	1
22	SC-131-61	Mach. Screw 1/4-20 x 3/4 Phil. Flat Hd. (SST).....	3
23	00-915654	Bolt 1/4-20 Special (HS7-PHS Only).....	3
24	SC-022-10	Mach. Screw 8-32 x 5/8 Slotted Flat Hd. (SST).....	4
25	00-915655	Bolt 8-32 Special (HS7-PHS Only).....	4
26	SC-022-10	Mach. Screw 8-32 x 5/8 Slotted Flat Hd. (SST).....	4
27	00-915655	Bolt 8-32 Special (HS7-PHS Only).....	4
28	00-915286	Slide Rod Assy.....	1
29	WS-031-53	Washer 0.531 x 1.063 x 0.109 (SST).....	2
30	00-915407	Shoulder Screw 1/2 Dia. 3/8-16.....	2
31	00-478021	Washer - Belleville.....	2
32	00-875450	Knob - Support Tray Assy.....	1
33	00-915400-00001	Tray Support Assy. (HS7 Series) (Incls. Items 35 & 36).....	1
34	00-915400-00002	Tray Support Assy. (HS9 Series) (Incls. Items 35 & 36).....	1
35	RP-006-51	Pin - Roll (0.375).....	1
36	00-439045	Stud - Drive.....	2
37	RR-012-17	Retaining Ring.....	1
38	WS-003-49	Washer 0.266 x 0.563 x 0.062 (SST).....	2
39	NS-025-04	Crown Nut 1/4-20 (SST).....	2
40	00-915296	Handle - Tray.....	1
41	SC-125-93	Mach. Screw 1/4-20 x 1 Phil. Flat Hd. (SST).....	2
42	SC-131-92	Screw - Special (HS7-PHS Only).....	2
43	WS-029-40	Washer (SST) (HS7-PHS Only).....	2
44	SC-132-34	Mach. Screw 8-32 x 7/8 Slotted Flat Head W/Patch (SST) (HS9-B Series).....	2
45	SC-022-11	Mach. Screw 8-32 x 1 Slotted Flat Hd. (SST) (HS9-B Series).....	2
*46	00-915591	Spacer - Heavy Meat Grip (HS9-B Series) (Previous Const.) NLA, Use item 49.....	1
*47	00-915590	Block - Heavy Meat Grip (HS9-B Series) (Previous Const.) NLA, Use item 49.....	1
48	00-477733	Label - Start (Home).....	1
*49	00-937672	Block - Heavy Meat Grip (HS9-B Series) (Current Construction).....	1

* Current construction heavy meat grip does not use / require spacer (item 46)

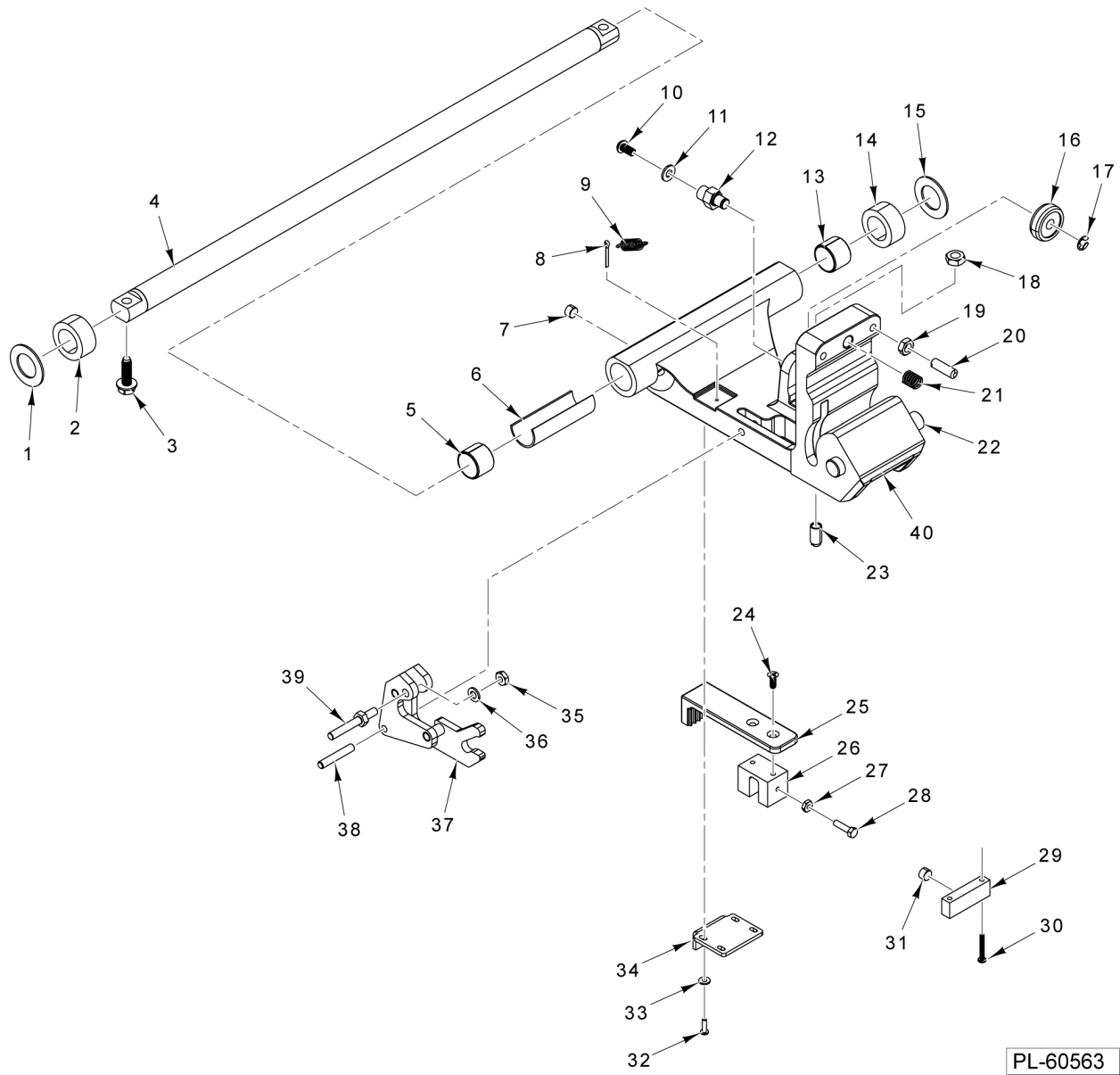


PL-60907

KNIFE SHARPENER ASSEMBLY

KNIFE SHARPENER ASSEMBLY

ILLUS. PL-60907	PART NO.	NAME OF PART	AMT.
1	SC-129-63	Mach. Screw 10-24 x 1/2 Phil. Truss Hd. (SST).....	2
2	00-914682	Cover & Plate Assy. (Incls. Item 38).....	1
3	00-479953	Shoulder Screw 1/4-20 x 3/8.....	1
4	00-875359	Handle - Sharpener Cam.....	1
5	00-914565	Housing & Stud Assy.....	1
6	00-439691	Stone Service Kit.....	1
7	00-914327	Screw - Pushing Cover.....	1
8	00-914410	Pin - Knife Protector.....	1
9	00-914424	Spring - Knife Protector.....	1
10	00-914504-00003	Protector - Knife Edge.....	1
11	SC-118-19	Cap Screw 1/4-20 x 3/4 Hex Hd.....	2
12	00-915290-00002	Mount - Sharpener Assy. (HS7 Series) (Incls. Item 11).....	1
13	00-915290	Mount - Sharpener Assy. (HS9 Series) (Incls. Item 11).....	1
14	00-914687	Spacer - Sharpener Mount.....	1
15	SC-022-79	Mach. Screw 6-32 x 3/8 Phil. Flat Hd. (SST).....	2
16	00-914414	Spring - Truing Stone.....	1
17	00-914413	Stone - Truing.....	1
18	00-914495-00002	Arm - Truing.....	1
19	RR-006-22	Retaining Ring 1/4 In. (SST).....	1
20	SC-129-65	Mach. Screw 2-56 x 5/8 Slotted Pan Hd.....	1
21	00-479527	Washer - Spring Crescent Shaped.....	1
22	SC-126-48	Mach. Screw 4-40 x 1/4 Phil. Pan Hd. (SST).....	2
23	WL-003-03	Lockwasher #4 Helical.....	2
24	00-914544	Spring - Sharpener Housing.....	1
25	SC-122-87	Mach. Screw 8-32 x 1/4 Slotted Pan Hd. (SST).....	1
26	00-873848	Shaft - Grinding Wheel.....	1
27	RR-006-22	Retaining Ring 1/4 In. (SST).....	1
28	00-914415	Rod - Truing Pusher.....	1
29	00-914416	Spring - Truing Arm.....	1
30	00-914329	Roller - Shoulder Screw.....	1
31	00-914323	Actuator.....	1
32	00-914328	Roller - Lock Release.....	1
33	00-873851	Plunger - Bearing Assy. (Incls. Items 35 & 37).....	1
34	00-438437	Spring - Return.....	1
35	00-873834	Bearing - Sharpener.....	1
36	00-875531	Spring - Main.....	1
37	00-873834	Bearing - Sharpener.....	1
38	00-914681	Label - Instruction.....	1
39	00-914571	Sharpener Assy. (Incls. Items 1 thru 7 & 16 thru 38).....	1

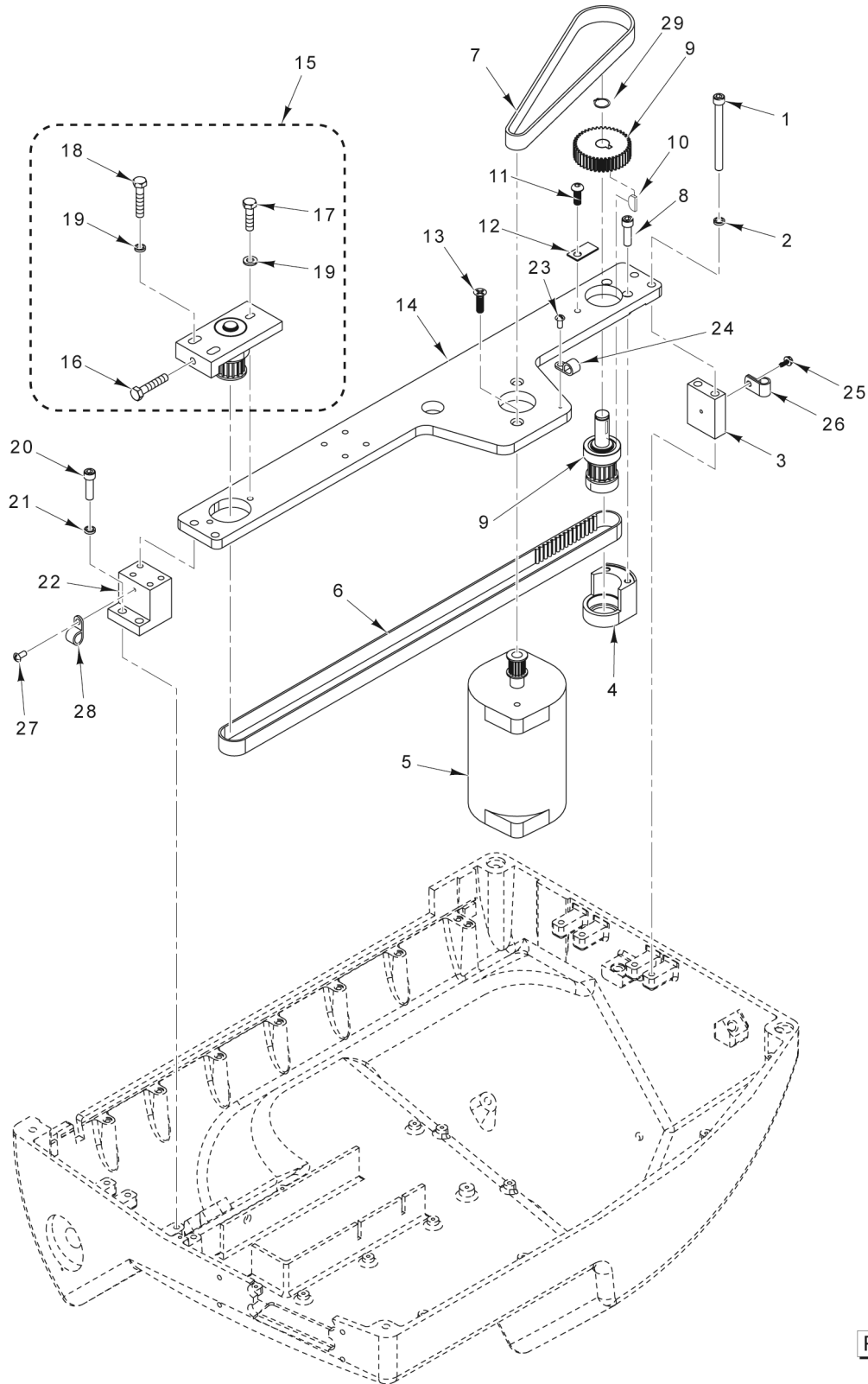


PL-60563

TRANSPORT CARRIAGE ASSEMBLY

TRANSPORT CARRIAGE ASSEMBLY

ILLUS. PL-60563	PART NO.	NAME OF PART	AMT.
1	00-435708	Washer - Backup (SST).....	1
2	00-915255	Bumper - Slide Rod.....	1
3	SD-033-08	Self-Tapping Screw 5/16-18 x 1 Hex Washer Hd., Type TT.....	2
4	00-438907	Slide - Rod.....	1
5	00-875658	Bearing - Transport (Metal).....	1
6	00-439017	Wick - Slide Rod Lubrication.....	1
7	00-915319	Magnet.....	1
8	PC-005-11	Cotter Pin 3/32 (HS9 Series).....	1
9	00-915385	Spring - Extension Interlock (HS9 Series).....	1
10	SC-131-70	Mach. Screw 1/4-28 x 1/2 Hex Button Hd. (SST).....	1
11	WS-003-49	Washer 0.266 x 0.563 x 0.062 (SST).....	1
12	00-915606	Stud - Roller Bearing.....	1
13	00-875658	Bearing - Transport.....	1
14	00-915255	Bumper - Slide Rod.....	1
15	00-435708	Washer - Backup (SST).....	1
16	00-478420	Roller - Transport.....	1
17	RR-006-23	Retaining Ring.....	1
18	NS-017-20	Jam Nut 3/8-24 Hex.....	1
19	NS-018-06	Jam Nut 5/16-18 Hex (SST).....	2
20	SC-128-35	Set Screw 5/16-18 x 1 Slotted Hdls., Flat Pt.....	2
21	00-519826	Insert - Screw.....	1
22	00-915260	Rod - Tray Arm Mounting.....	1
23	00-477747	Set Screw - Special.....	1
24	SC-131-64	Mach. Screw 10-24 x 1/2 Phil. Flat Hd.....	2
25	00-915416	Clip - Autodrive Clutch.....	1
26	00-915345	Block - Slider.....	1
27	NS-009-22	Nut 10-24 Hex.....	1
28	SC-110-31	Mach. Screw 10-24 x 3/4 Hex Hd.....	1
29	00-915321	Block - Magnet.....	1
30	SC-125-37	Mach. Screw 6-32 x 1 Phil. Pan Hd.....	2
31	00-915319	Magnet.....	1
32	SC-093-24	Mach. Screw 6-32 x 1/2 Phil. Pan Hd. (SST).....	4
33	WS-023-01	Washer (SST).....	4
34	00-915356	Bracket - Belt Grip.....	1
35	NS-018-01	Jam Nut 1/4-20 Hex (SST) (HS9 Series).....	1
36	WL-006-17	Lockwasher 1/4 Helical (SST) (HS9 Series).....	1
37	00-915312	Tray Interlock Assy. (HS9 Series).....	1
38	00-558091	Pin (HS9 Series).....	1
39	00-915249	Pin - Cam Lock (HS9 Series).....	1
40	00-915592-00002	Carriage - Transport (Incls. Items 5, 6, 7, 13, 21, & 22).....	1

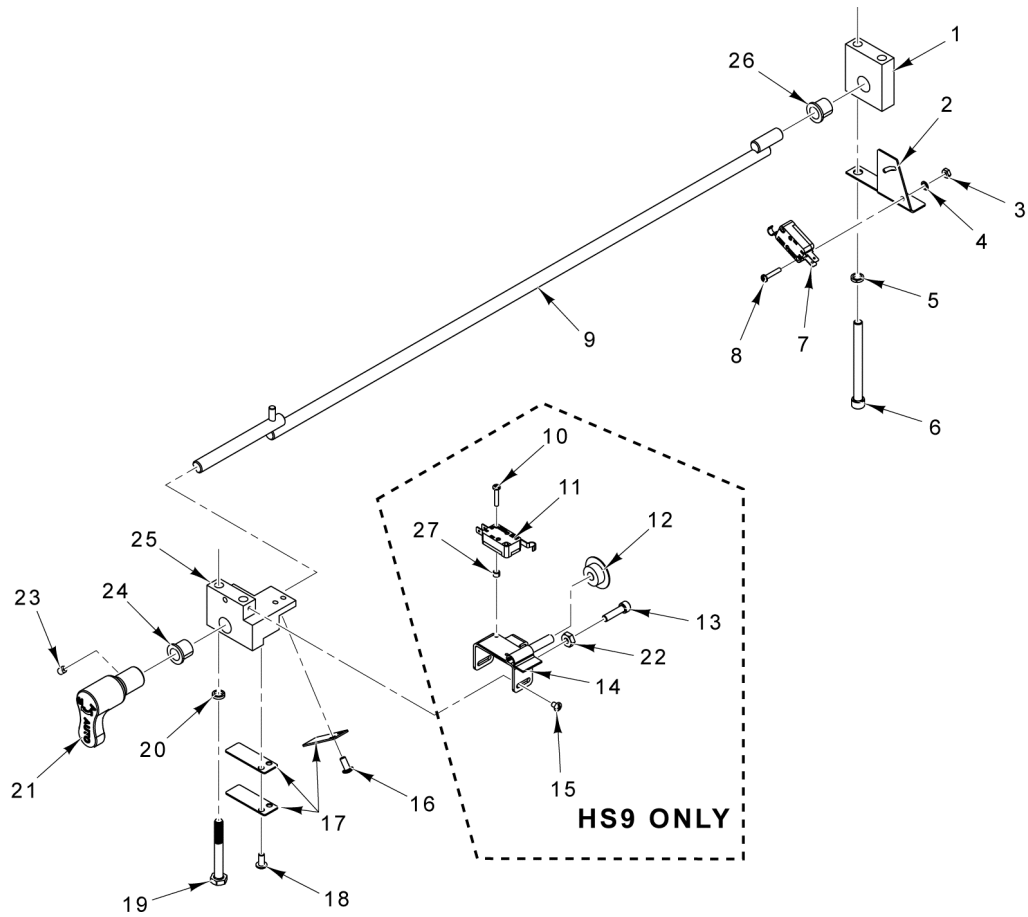


PL-60909

AUTO DRIVE ASSEMBLY

AUTO DRIVE ASSEMBLY

ILLUS.	PART NO.	NAME OF PART	AMT.
PL-60909			
1	SC-131-65	Cap Screw 1/4-20 x 2-3/4 Hex Socket Hd.....	2
2	WL-003-35	Lockwasher 1/4 Helical.....	2
3	00-915336	Block - Auto Drive.....	1
4	00-915403	Housing - Auto Drive.....	1
5	01-404175-00734	Motor Assy. (Auto Drive) (Incls. Pulley).....	1
6	00-915371	Belt (Auto Drive).....	1
7	00-915373	Belt (150T).....	1
8	SC-118-65	Cap Screw M5 x 0.8 x 16mm Socket Fil. Hd.....	2
9	00-937840	Kit - Auto Trans. (Incls. Item 10 & 29).....	1
10	KW-004-04	Key - Woodruff.....	1
11	01-402175-02866	Cap Screw Socket Button Hd.....	1
12	00-915404	Plate - Auto Drive.....	1
13	SC-131-66	Mach. Screw M6 x 1.0 x 20mm Phil. Flat Hd.....	2
14	00-915332	Plate - Auto Drive Support.....	1
15	00-937962	Tensioner Assy. (Incls. Items 16 thru 19).....	1
16	SC-119-10	Cap Screw M6 x 1.0 x 30mm Hex Hd.....	1
17	SC-041-01	Cap Screw 1/4-20 x 3/4 Hex Hd. (SST).....	1
18	SC-041-07	Cap Screw 1/4-20 x 1-1/2 Hex Hd. (SST).....	2
19	WL-020-06	Lockwasher 1/4 Helical (SST).....	3
20	SC-089-03	Cap Screw 1/4-20 x 7/8 Hex Socket Hd.....	2
21	WL-003-35	Lockwasher 1/4 Helical.....	2
22	00-915333	Block - Offset (Auto Drive).....	1
23	SD-038-16	Self-Tapping Screw 6-32 x 3/8 Hex Washer Hd., Type RL.....	1
24	00-078752-00011	Clamp.....	1
25	SD-038-16	Self-Tapping Screw 6-32 x 3/8 Hex Washer Hd., Type RL.....	1
26	00-078752-00011	Clamp.....	1
27	SD-038-16	Self-Tapping Screw 6-32 x 3/8 Hex Washer Hd., Type RL.....	1
28	00-078752-00006	Clamp.....	1
29	00-402275-00591	Ring - Retaining.....	1




PL-60564


AUTO DRIVE LEVER


AUTO DRIVE LEVER

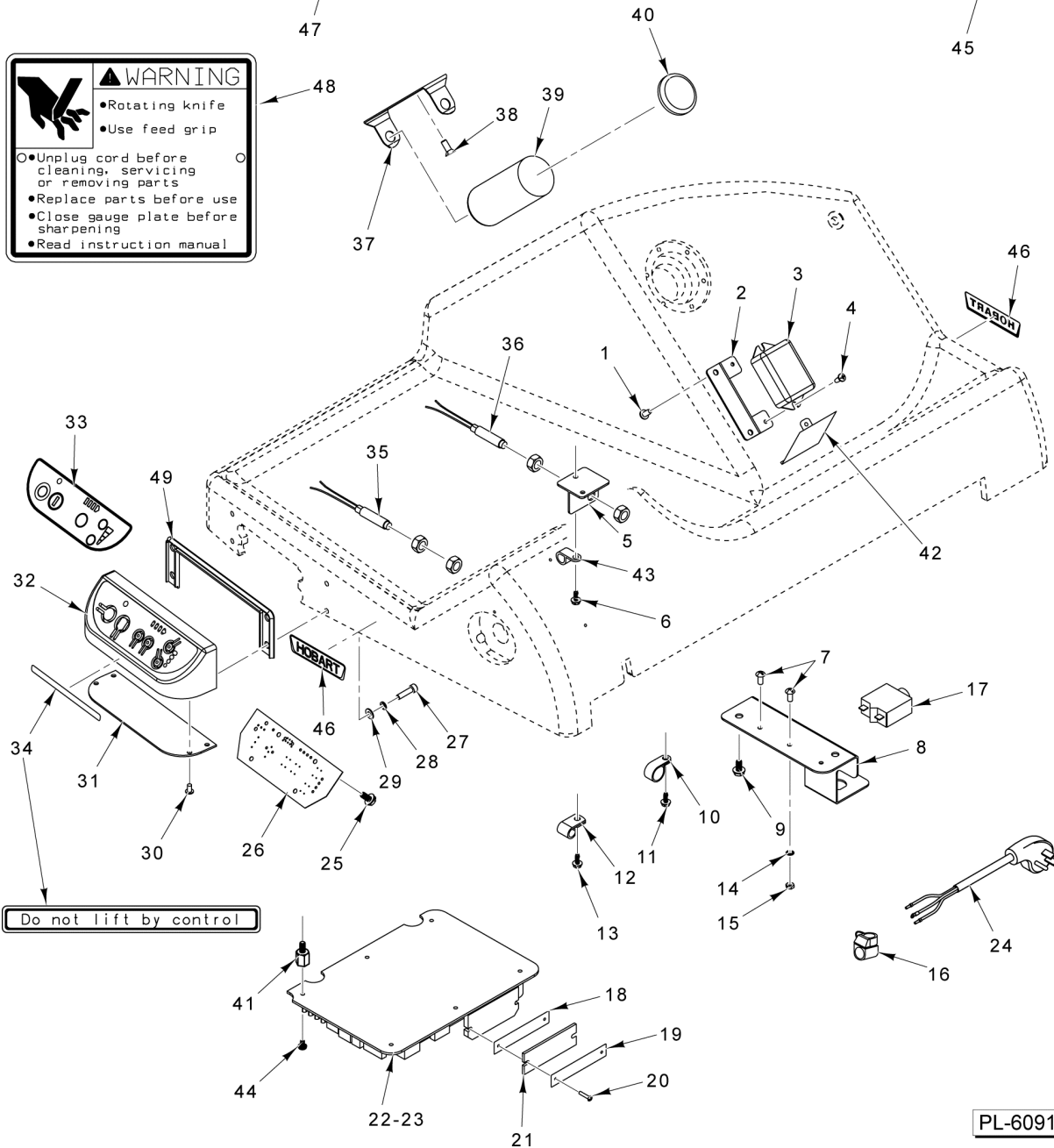
AUTO DRIVE LEVER

ILLUS.	PART NO.	NAME OF PART	AMT.
PL-60564			
1	00-915357	Block - Auto Drive Mounting.....	1
2	00-915325	Bracket - Auto Switch.....	1
3	NS-011-01	Nut 4-40 Hex (SST).....	2
4	WL-019-99	Lockwasher #4 Internal.....	2
5	WL-003-35	Lockwasher 1/4 Helical.....	2
6	SC-131-65	Cap Screw 1/4-20 x 2-3/4 Hex Socket Hd.....	2
7	00-087711-00358	Switch - Miniature.....	1
8	SC-131-68	Mach. Screw 4-40 x 5/8 Slotted Fil. Hd. (SST).....	2
9	00-915368	Rod Assy. - Auto-Engagement.....	1
10	SC-131-68	Mach. Screw 4-40 x 5/8 Slotted Fil. Hd. (SST) (HS9 Series).....	2
11	00-087711-00358	Switch - Miniature (Gauge Plate Switch) (HS9 Series).....	1
12	00-915608	Actuator (Close to Stop) (HS9 Series).....	1
13	SC-123-73	Mach. Screw 10-32 x 3/4 Hex Hd. (SST) (HS9 Series).....	1
14	00-915621	Bracket Assy. (HS9 Series).....	1
15	SC-131-67	Mach. Screw 6-32 x 3/16 Slotted Pan Hd. (SST) (HS9 Series).....	2
16	SC-120-35	Mach. Screw 8-32 x 3/8 Phil. Pan Hd. (SST).....	2
17	00-915370	Spring - Flat (Auto).....	3
18	SC-120-35	Mach. Screw 8-32 x 3/8 Phil. Pan Hd. (SST).....	2
19	SC-124-56	Cap Screw 1/4-20 x 2 Hex Hd.....	2
20	WL-003-35	Lockwasher 1/4 Helical.....	2
21	00-915387	Knob - Auto-Engagement.....	1
22	NS-049-32	Nut 10-32 Hex (HS9 Series).....	1
23	SC-131-88	Set Screw 8-32 x 3/8.....	1
24	00-915374	Bearing - Sleeve (Flanged).....	1
25	00-915364	Block - Mount (Auto-Engagement).....	1
26	00-915374	Bearing - Sleeve (Flanged).....	1
27	00-478427	Spacer - Nylon (HS9 Series).....	2

⚠ WARNING / AVERTISSEMENT	
	<ul style="list-style-type: none"> • Do not immerse • Unplug before cleaning, servicing or removing parts • Replace parts before use • Read instruction manual
	<ul style="list-style-type: none"> • Ne pas immerger • Débrancher l'appareil avant de nettoyer, entretenir ou enlever des pièces • Remettre les pièces en place avant d'utiliser l'appareil • Lire le mode d'emploi

⚠ WARNING / AVERTISSEMENT	
	<ul style="list-style-type: none"> • Rotating knife • Use feed grip • Replace parts before use • Unplug cord before cleaning, servicing or removing parts • Close gauge plate before sharpening • Read instruction manual
	<ul style="list-style-type: none"> • Couteau rotatif • Utilisez la griffe d'alimentation • Remplacez les pièces avant toute utilisation • Débranchez le cordon électrique avant de nettoyer, entretenir ou retirer des pièces de cet appareil • Fermez la plaque de calibre quand l'appareil n'est pas en service • Lisez le mode d'emploi

⚠ WARNING	
	<ul style="list-style-type: none"> • Rotating knife • Use feed grip
	<ul style="list-style-type: none"> • Unplug cord before cleaning, servicing or removing parts • Replace parts before use • Close gauge plate before sharpening • Read instruction manual



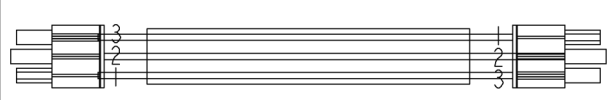
CONTROLS AND ELECTRICAL COMPONENTS

CONTROLS AND ELECTRICAL COMPONENTS

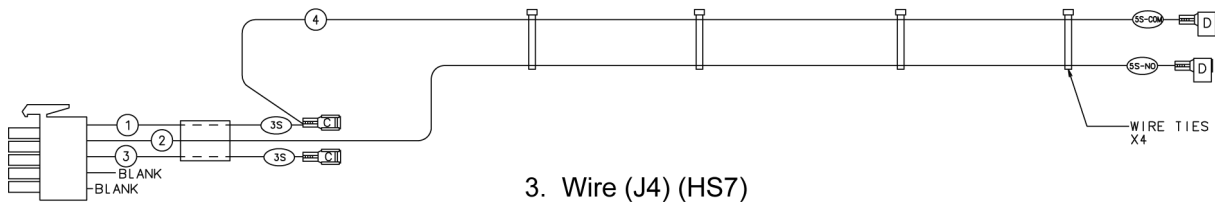
ILLUS.	PART NO.	NAME OF PART	AMT.
PL-60910			
1	SD-015-40	Self-Tapping Screw 8-32 x 3/8 Phil. Pan Hd., Type TT.....	2
2	00-915288	Bracket - Start Switch.....	1
3	00-271612-00002	Switch - Electronic Start (50/60 Hz.).....	1
4	SD-015-38	Self-Tapping Screw 6-32 x 3/8 Phil. Pan Hd., Type TT.....	2
5	00-915318	Bracket - Reed Switch (HS9 Series).....	1
6	SD-038-16	Self-Tapping Screw 6-32 x 3/8 Hex Washer Hd., Type RL (HS9 Series).....	2
7	SC-027-29	Mach. Screw 8-32 x 3/8 Slotted Rd. Hd. (Brass).....	2
8	00-915349	Bracket - Strain Relief.....	1
9	SD-039-68	Self-Tapping Screw 10-24 x 3/8 Hex Washer Hd., Type RL.....	2
10	00-438132-00002	Clamp - P (1/2).....	1
11	SD-038-16	Self-Tapping Screw 6-32 x 3/8 Hex Washer Hd., Type RL.....	1
12	00-078752-00003	Clamp - Cable.....	1
13	SD-038-16	Self-Tapping Screw 6-32 x 3/8 Hex Washer Hd., Type RL.....	1
14	WL-010-01	Lockwasher #8 External Shakeproof.....	2
15	NS-010-11	Nut 8-32 Hex (Brass).....	2
16	FE-021-21	Strain Relief.....	1
17	00-088196-016-2	Circuit Breaker.....	1
18	00-915517-00001	Bracket - Heatsink.....	1
19	00-915517-00002	Bracket - Heatsink.....	1
20	SC-131-68	Mach. Screw 4-40 x 5/8 Slotted Fil. Hd. (SST).....	2
21	00-915353	Pad - Heatsink.....	1
22	00-915280	Board - Control (120 V.) (Incls. Item 23).....	1
23	00-914782-00009	Fuse (0.25 Amp).....	2
24	00-117542-00121	Cord & Plug Assy. (120 V.).....	1
25	SD-037-75	Self-Tapping Screw 6-19 x 1/4 Phil. Pan Hd.....	4
26	00-915350	Board - Keypad.....	1
27	SC-040-90	Cap Screw 8-32 x 5/8 Hex Socket Hd.....	4
28	WL-003-14	Lockwasher #8 Helical.....	4
29	WS-023-22	Washer (SST).....	4
30	SD-037-75	Self-Tapping Screw 6-19 x 1/4 Phil. Pan Hd.....	4
31	00-915354	Bottom - Bezel (Auto).....	1
32	00-915334	Bezel Assy. (Auto) (Incls. Items 33 & 34).....	1
33	00-915346	Overlay.....	1
34	00-916957-00050	Label (Do not lift by control).....	1
35	00-087711-00357	Switch - Reed (Home Switch) (Incls. Nuts).....	1
36	00-087711-00357	Switch - Reed (Cut-Thru, Count Switch) (Incls. Nuts) (HS9 Series).....	1
37	00-066621-00001	Bracket - Capacitor.....	1
38	SD-024-16	Self-Tapping Screw 10-24 x 1/2 Phil. Flat Hd., Type TT.....	1
39	00-070487-00026	Capacitor - Motor Start.....	1
40	00-070486-00001	End Cap - Capacitor.....	1
41	00-915383	Standoff.....	4
42	00-915581	Shield - Finger.....	1
43	00-078752-00006	Clamp.....	1
44	SA-021-50	Screw Assy. 6-32 x 1/4 Phil. Pan Hd., Internal Lockwasher.....	4
45	00-916957-00017	Label - Warning.....	1
46	00-477740	Logo - Hobart (Small).....	2
47	00-438131-045-1	Label - Warning (Canada).....	1
48	00-438131-054-2	Label - Warning.....	1
49	00-915598	Gasket - Bezel (Auto).....	1



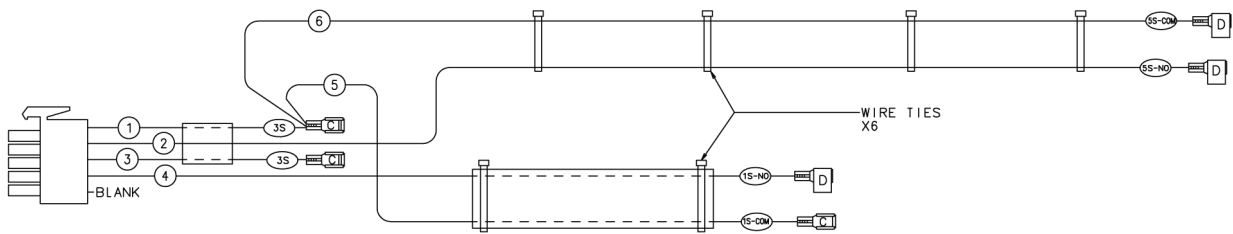
1. Harness - Wire (J2) (HS7 & HS9)



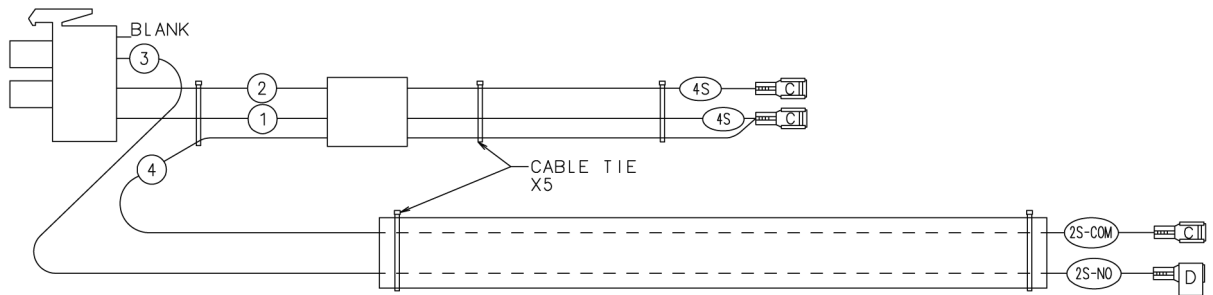
2. Cable (J12) (HS7 & HS9)



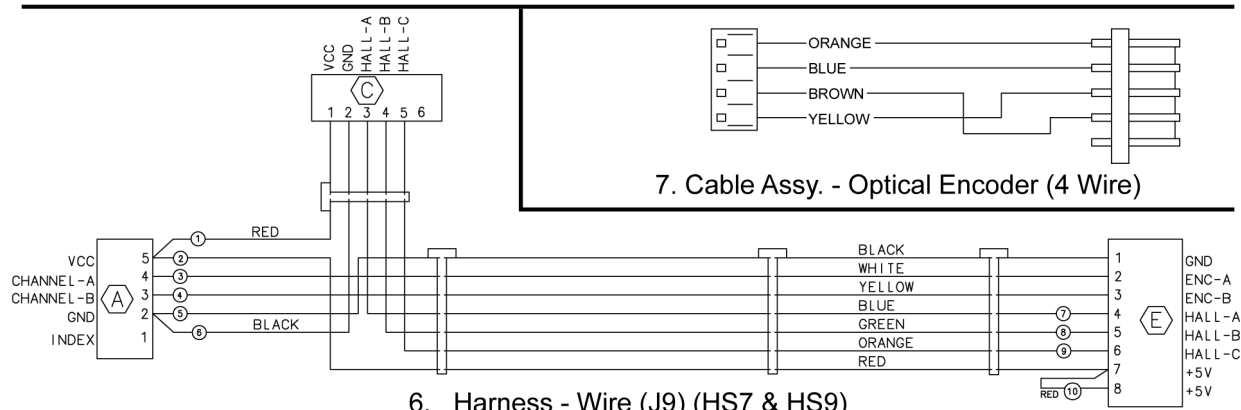
3. Wire (J4) (HS7)



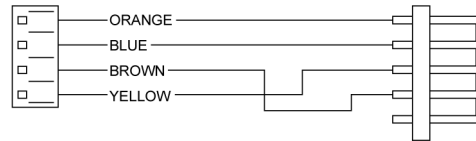
4. Harness - Wire (J4) (HS9)



5. Harness - Wire (J5) (HS9)



6. Harness - Wire (J9) (HS7 & HS9)



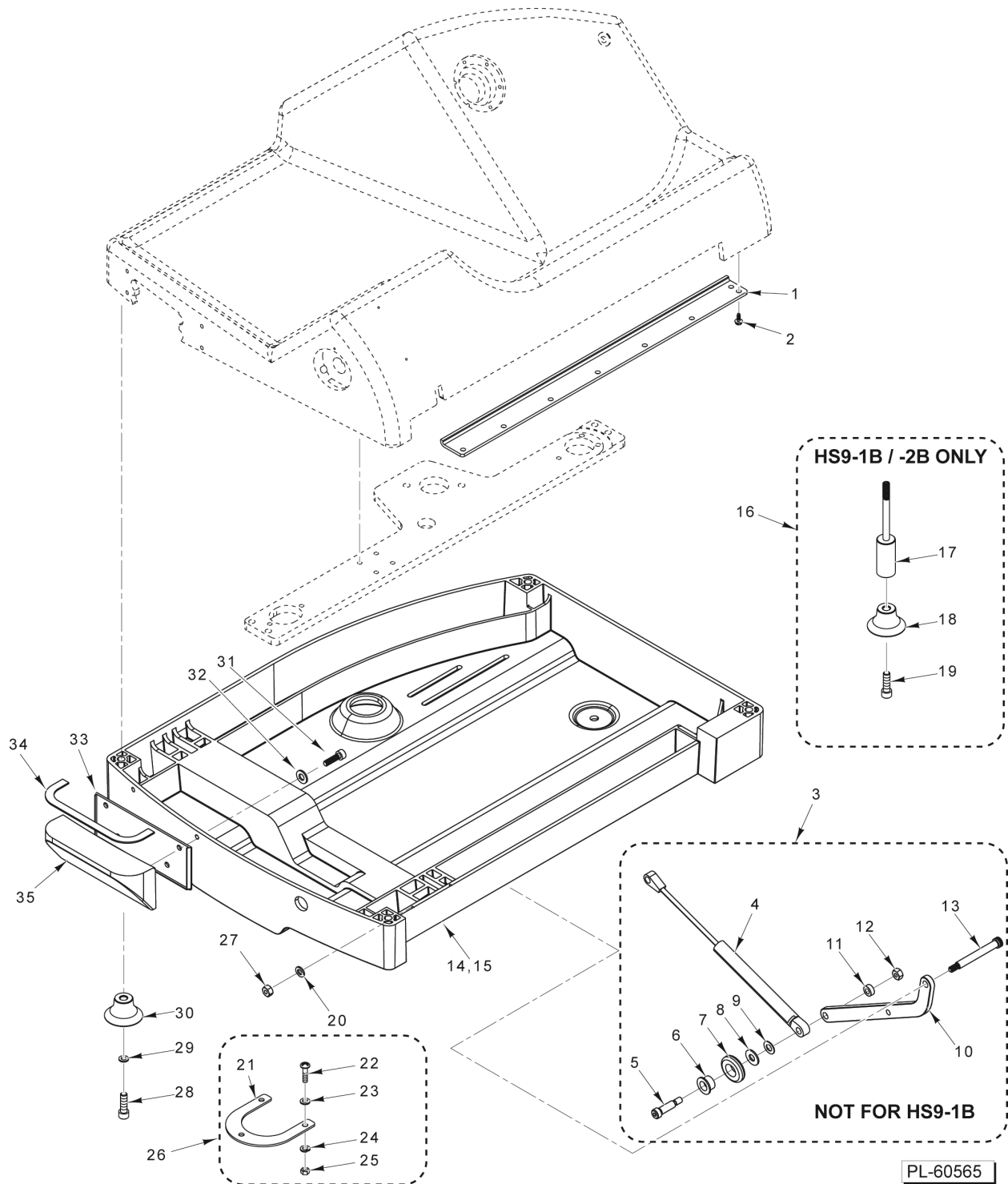
7. Cable Assy. - Optical Encoder (4 Wire)

PL-60911

WIRE HARNESSES

WIRE HARNESSSES

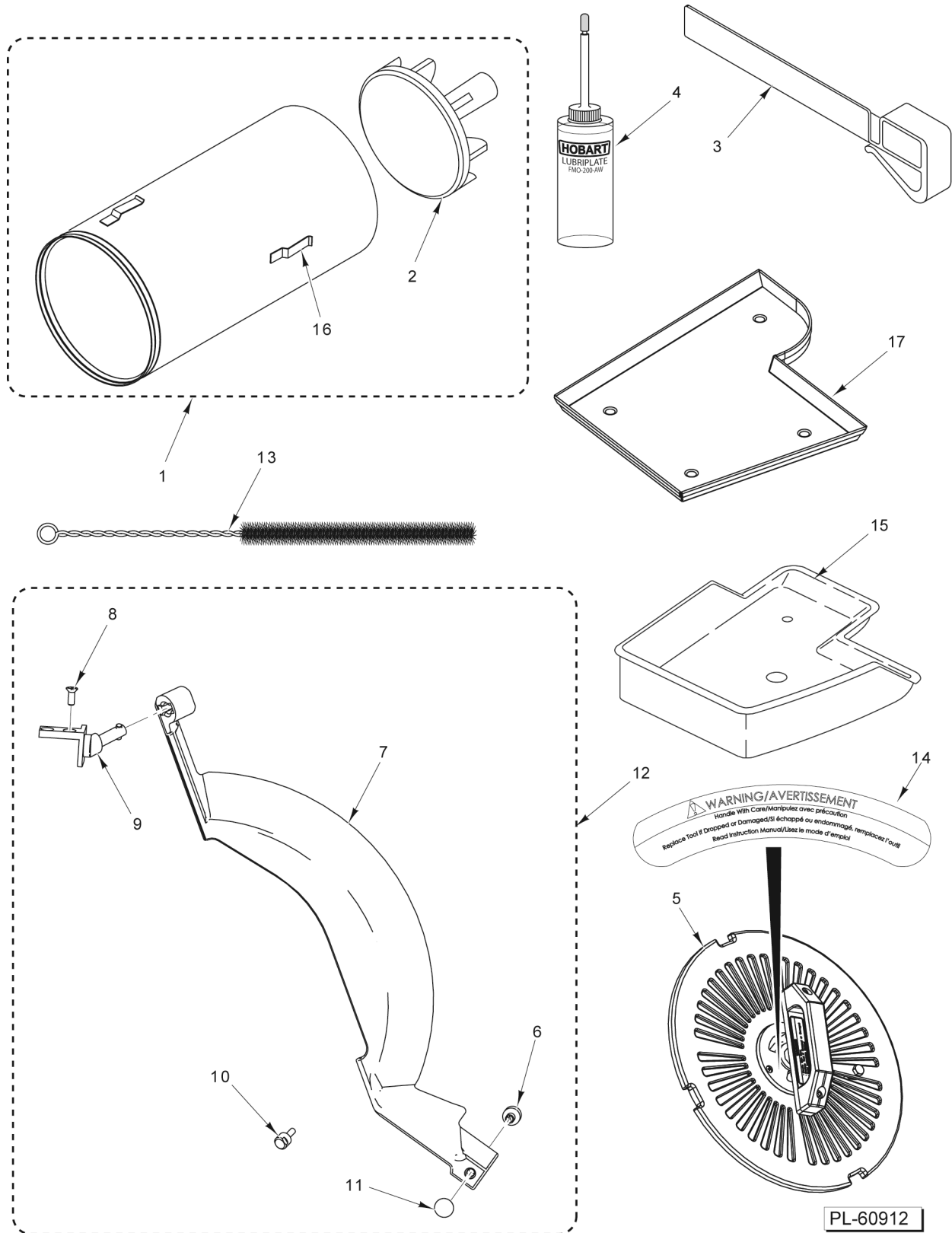
ILLUS.	PART NO.	NAME OF PART	AMT.
PL-60911			
1	00-915323	Harness - Wire (J2).....	1
2	00-915320	Cable (J12).....	1
3	00-915382	Harness - Wire (J4) (HS7).....	1
4	00-915326	Harness - Wire (J4) (HS9).....	1
5	00-915327	Harness - Wire (J5) (HS9).....	1
6	01-404175-00716	Harness - Wire (J9).....	1
7	01-404175-00739	Cable Assy. - Optical Encoder (4 Wire).....	1



AUTO BASE LIFT LINKAGE AND GAS SPRING

AUTO BASE LIFT LINKAGE AND GAS SPRING

ILLUS.	PART NO.	NAME OF PART	AMT.
PL-60565			
1	00-915252	Bar - Transport Roller.....	1
2	SD-038-22	Self-Tapping Screw 10-24 x 1/2 Hex Washer Hd., Type RL.....	8
3	00-915650	Lift Linkage & Gas Assist Assy. (Incls. Items 4 thru 12) (Not used on HS9-1B).....	1
4	00-914575	Gas Spring.....	1
5	SC-130-05	Shoulder Screw 1/4-20 x 7/8.....	1
6	00-914829	Bearing - Bushing.....	1
7	00-914828	Roller - Manual Lift.....	1
8	WS-029-05	Washer 0.328 x 0.750 x 0.062 (SST).....	1
9	WS-017-37	Washer 0.328 x 0.625 x 0.031 (SST).....	1
10	00-915609	Lift Linkage.....	1
11	00-914804	Spacer - Manual Lift.....	1
12	NS-015-01	Nut 1/4-20 Hex (SST).....	1
13	SC-124-42	Shoulder Screw 5/16D x 2-1/4L.....	2
14	00-915630	Cover - Bottom (W/O Bezel Support Mounting Holes).....	1
15	00-915630-00002	Cover - Bottom (W/Bezel Support Mounting Holes).....	1
16	00-915784	Kit - Leg (4-1/2 In.) (Set of 4) (Incls. Items 17, 18, & 19) (HS9-1B).....	1
17	00-915689	Leg - Extension (HS9-1B & HS9-2B).....	4
18	00-914835	Foot - Base (HS9-1B & HS9-2B).....	4
19	00-968067	Screw - Button Hd. Torq W/Patch (5/16-18 x 1.0) (HS9-1B & HS9-2B).....	4
20	WL-006-17	Lockwasher 1/4 (0.391 x 1.000 x 0.062) Helical (SST).....	2
21	00-915693	Pad.....	2
22	SC-120-76	Cap Screw 10-24 x 1/2 Hex Hd. (SST).....	6
23	WL-006-07	Lockwasher #10 (0.194 x 0.202 x 0.047) Helical (SST).....	6
24	WS-019-20	Washer 0.219 x 0.375 x 0.031 (SST).....	6
25	NS-011-18	Nut 10-24 Hex (SST).....	6
26	00-915694	Kit - Foot Pad Assy. (2 Brackets & Hardware) (Incls. Items 20 thru 24).....	1
27	NS-015-01	Nut 1/4-20 Hex (SST).....	2
28	SC-131-89	Cap Screw 5/16-18 x 3-1/2 (All Except HS9-1B & HS9-2B).....	4
29	WS-017-01	Washer 0.328 x 0.875 x 0.062 (SST) (All Except HS9-1B & HS9-2B).....	4
30	00-914835	Foot - Base.....	4
31	SC-059-13	Screw - Cap 5/32 x 1/2.....	4
32	WS-023-22	Washer (SST).....	4
33	00-937673	Gasket - Auto Bezel.....	1
34	00-937678	Gasket - Control Panel Bottom.....	1
35	00-937680	Bezel Support Assy.....	1



ACCESSORIES

ACCESSORIES

ILLUS.	PART NO.	NAME OF PART	AMT.
PL-60912			
1	00-915593	Food Chute Assy. (Packaged) (Incls. Item 2).....	1
2	00-075945	Pusher Assy. - Plate.....	1
3	00-915266	Fence - Product.....	1
4	00-915207	Bottle - Oil (4 Oz.).....	1
5	00-914758	Knife Removal Tool Assy. (Packaged) (Incls. Item 14).....	1
6	00-914587	Foot - Adjustable Deflector.....	1
7	00-914585-00002	Deflector - Product.....	1
8	SC-022-79	Mach. Screw 6-32 x 3/8 Phil. Flat Hd. (SST).....	2
9	00-914649	Mount - Product Deflector.....	1
10	00-914596	Stud - Product Deflector.....	1
11	00-914597	Cap - Product Deflector.....	1
12	00-914702	Product Deflector Kit (Incls. Items 6 thru 11).....	1
13	00-915643	Brush - Tube.....	1
14	00-916957-00020	Label - Warning.....	1
15	00-873480	Box - Slaw.....	1
16	PB-005-38	Cap 0.062 x 0.500 (Vinyl).....	1
17	00-937646	Tray - Slicer (SS).....	1

