

## WAREWASHING



Glass and dishwashers

## **ECOMAX F504/G504**

**Spare Parts Catalogue**

**EN**

---

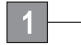

**Valid for the following models:****ECOMAX F504 / G504**

Ecomax F504-10B	Ecomax F504-90B	Ecomax G504-10B
Ecomax F504-12B	Ecomax F504-91B	
Ecomax F504-20B	Ecomax F504S-10B	HOBART 504-60B
Ecomax F504-30B	Ecomax F504S-12B	
Ecomax F504-32B	Ecomax F504S-20B	

**Note:**

For other voltages or electric components, refer to the wiring diagram shipped with the machine. Observe wiring diagram.

**Legende**

-  Recommended spare parts / operation important parts
-  Wearing parts

**Publisher**

HOBART GmbH  
Robert-Bosch-Str. 17  
77656 Offenburg

Tel +49(0)781.600-0  
Fax +49(0)781.600-23 19

E-Mail: [info@hobart.de](mailto:info@hobart.de)  
Internet: [www.hobart.de](http://www.hobart.de)

**Product disclaimer**

Installations and repairs carried out by non-authorized technicians or using non-genuine spare parts, and any technical alterations to the machine not approved by the manufacturer will invalidate the manufacturer's warranty and product liability.

HOBART reserves the right to make changes or improvements to its products without prior notice.

Detailed information can be obtained from your specialist dealer or from:

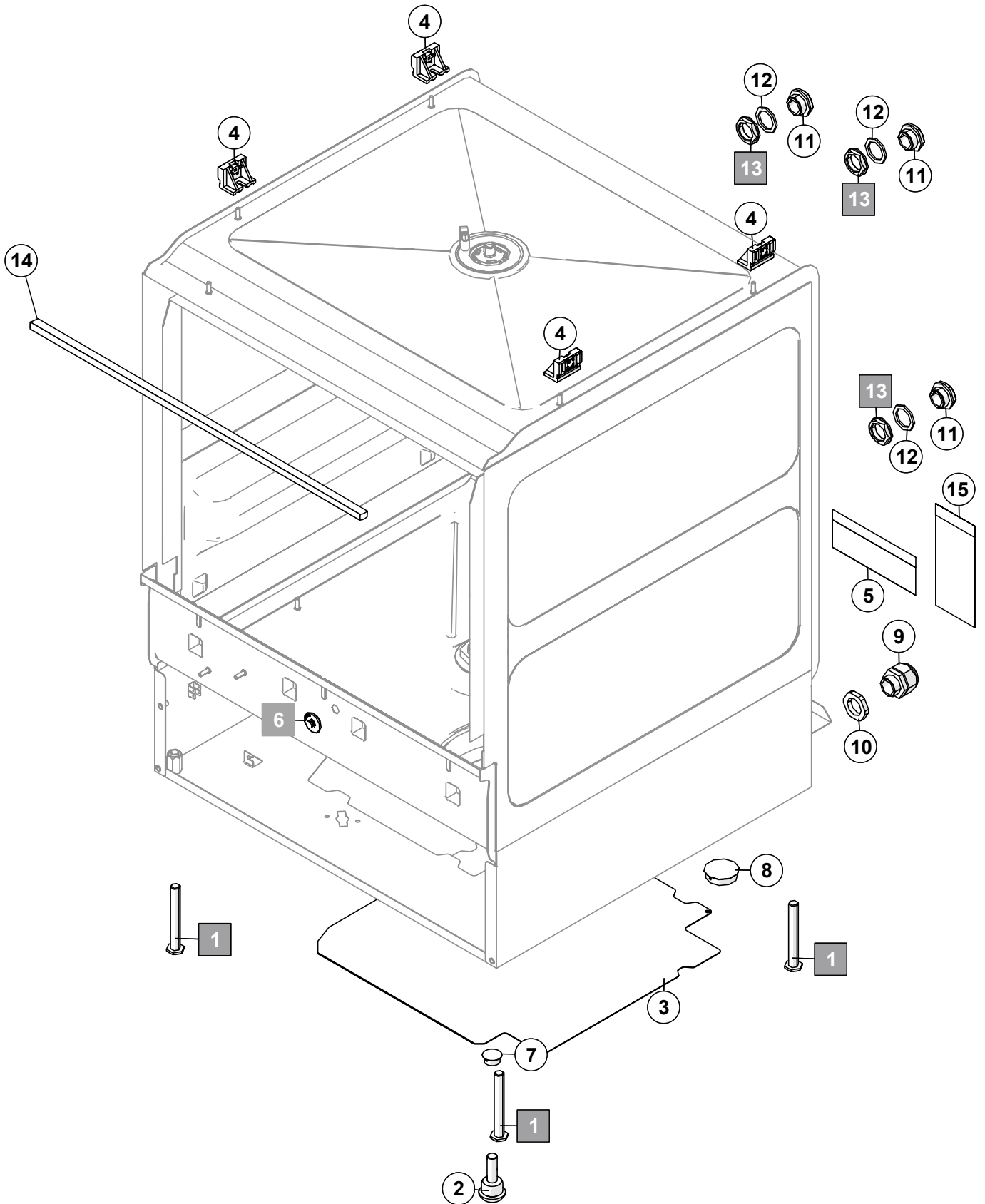
SERVICE Tel. 01803 45 62 58  
Internet: [www.hobart.de](http://www.hobart.de)  
E-Mail: [info@hobart.de](mailto:info@hobart.de) (within Germany)

© HOBART GmbH, Offenburg 2017

---

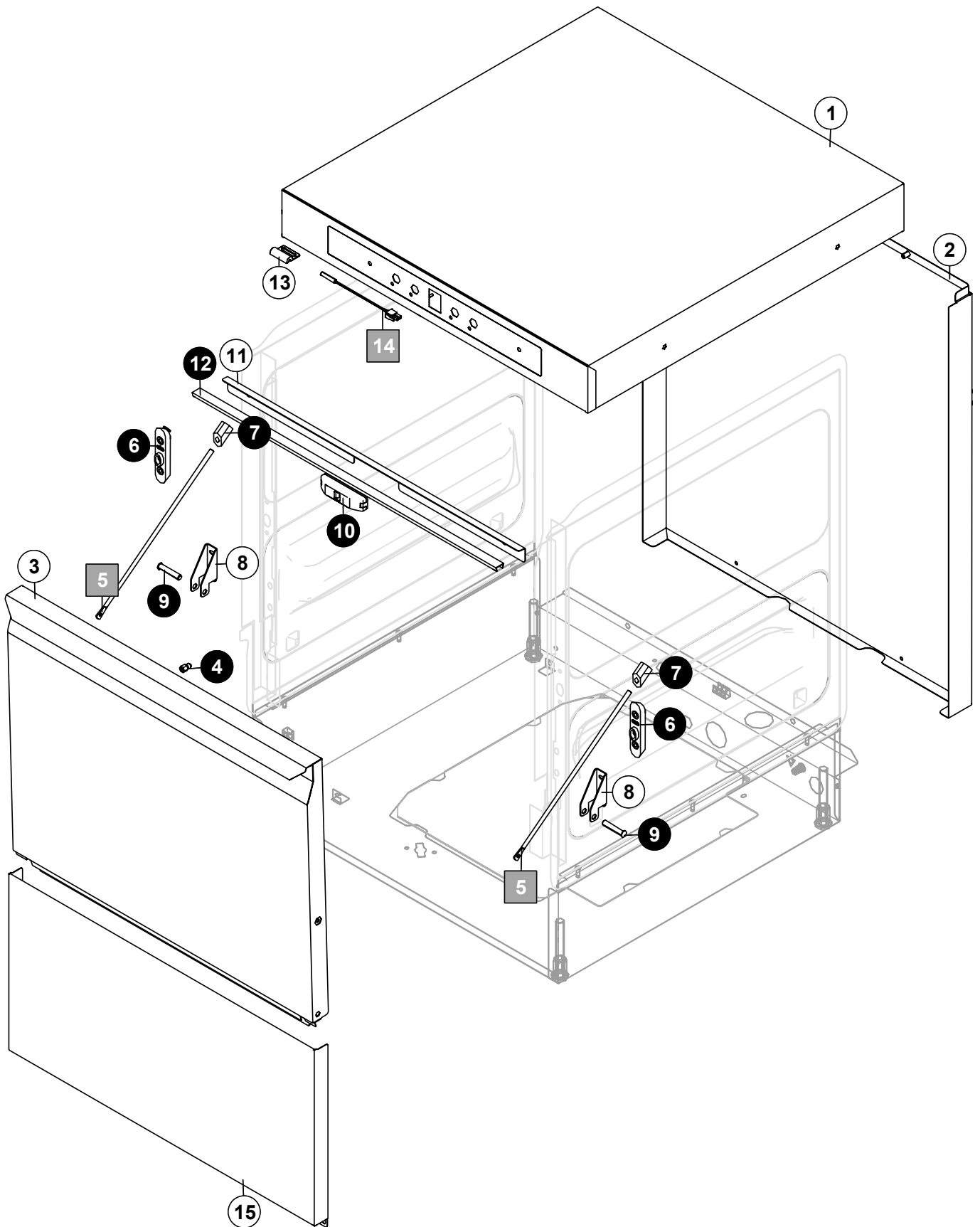
Page	Chapter	Contents
<b>4</b>	<b>1.</b>	<b>Casing</b>
<b>6</b>	<b>2.</b>	<b>Covering</b>
<b>8</b>	<b>3.</b>	<b>Filling, boiler depressurised (without softener)</b>
<b>10</b>	<b>4.</b>	<b>Filling, pressure boiler (without softener)</b>
<b>12</b>	<b>5.</b>	<b>Filling, boiler (with softener)</b>
<b>14</b>	<b>6.</b>	<b>Wash- and drain pump</b>
<b>16</b>	<b>7.</b>	<b>Wash- and rinse system</b>
<b>18</b>	<b>8.</b>	<b>Tank and strainer system</b>
<b>20</b>	<b>9.</b>	<b>Detergent/rinse aid</b>
<b>22</b>	<b>10.</b>	<b>Control</b>

### 1. Casing



<b>Pos. no.</b>	<b>Part number</b>	<b>Part name</b>	<b>Remarks</b>
1	01-515197-001	Adjustable feet	not for Australia
2	00-323996-004	Ball roller	only for Australia
3	04-005136-011	Base cover	
4	04-005324-002	Bracket	
5	01-240283-005	Protective sheet	
6	04-005355-001	Plug	without detergent dosing
7	00-895609-001	Plug	
8	00-895609-003	Plug	
9	00-695661-004	Cable duct	
10	00-695664-004	Counter nut	
11	01-297500-001	Plug	
12	00-775305-001	Gasket	
13	00-324384-000	Nut	
14	00-168834-016	Sealing tape	
15	01-240283-006	Protective sheet	

2. Covering

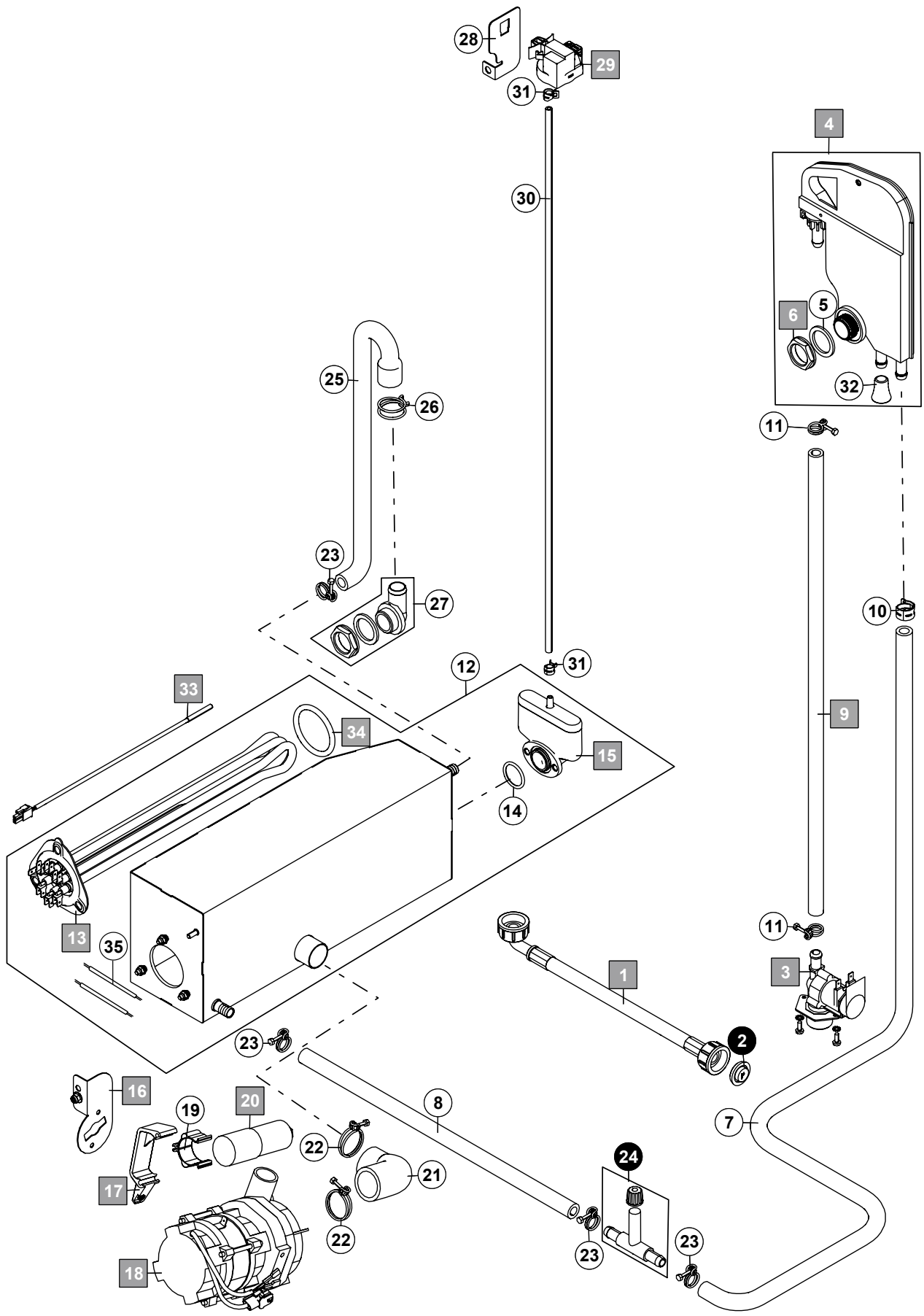


Pos. no.	Part number	Part name	Remarks
1	04-005049-002	Top cover	
2	04-005087-001	Rear side cover	
3	04-005042-001	Door	
4	04-005313-001	Pin	
5	04-005316-001	Rod	
6	04-005315-001	Stop	
7	04-005321-001	Stopper	
8	04-005045-001	Hinge	
9	04-005314-001	Hinge pin	
10	04-005317-001	Door latch	
11	04-005093-001	Profile	
12	04-005330-002	Door sealing	
13	01-515259-001	Holder reed switch	
14	01-515276-001	Reed switch	
15	04-005221-001	Front panel	

# Models without Softener

## Filling, boiler depressurised (without softener)

### 3. Filling, boiler depressurised (without softener)



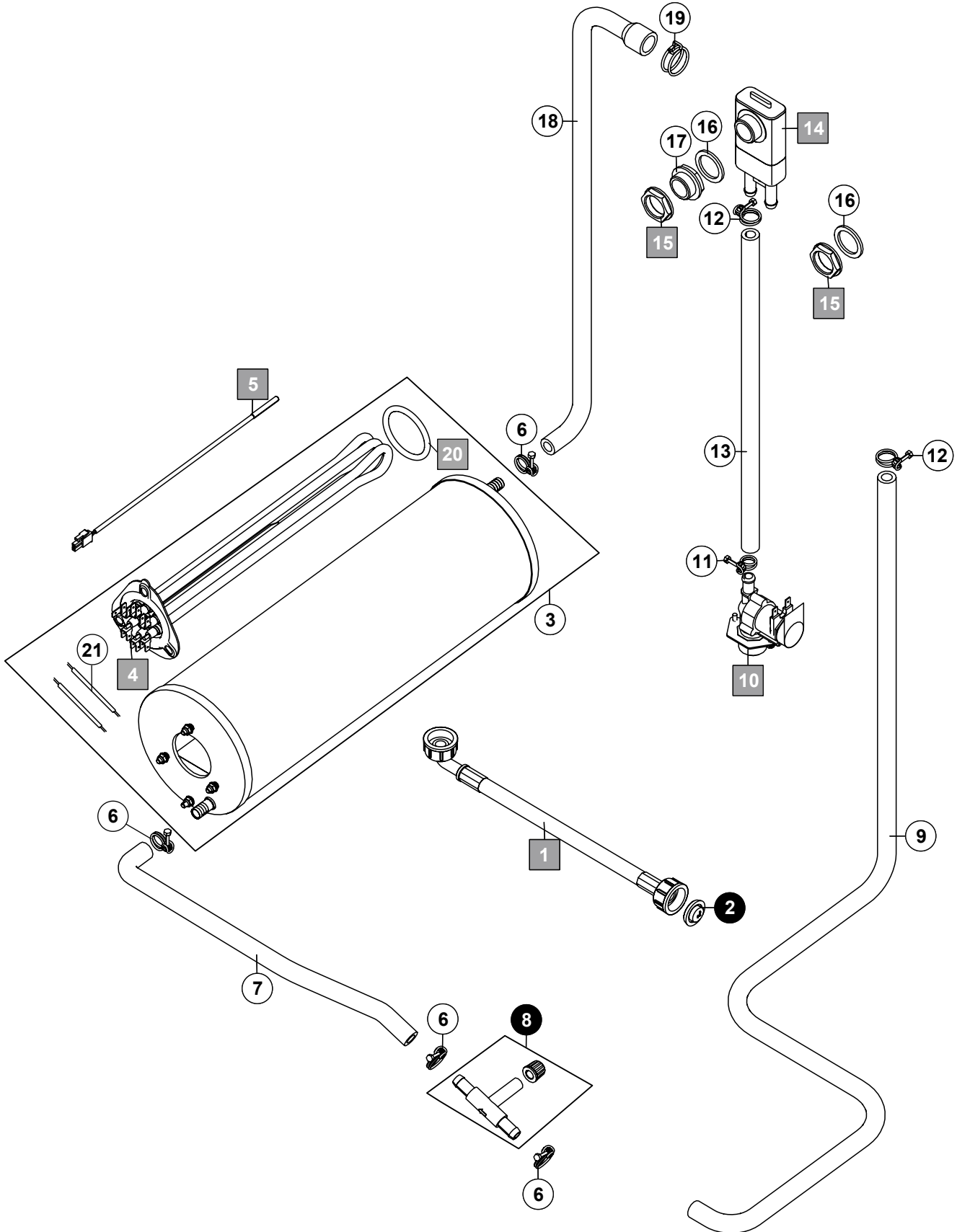


Pos. no.	Part number	Part name	Remarks
1	04-005356-001	Fill hose	
	01-510262-002	Fill hose	Australia
2	00-378525-001	Sealing with strainer	
3	00-883658-001	Filling valve	Boiler depressurised
	00-883658-002	Filling valve	Pressure boiler
	01-531690-002	Filling valve	F504-91B; boiler depressurised
	01-531690-003	Filling valve	F504-90B; pressure boiler
4	01-515331-001	Spare parts kit waterbreak	Boiler depressurised; incl. pos. 5 + 6 + 33
5	00-775305-001	Gasket	
6	00-324384-000	Nut	
7	04-005183-001	Hose	
8	01-297802-003	Hose	Boiler depressurised
9	01-246371-005	Hose	Boiler depressurised
10	01-246214-002	Spring band clamp	Boiler depressurised
11	00-323945-016	Hose clamp	
12	04-005083-001	Rinse boiler, cpl.	
13	01-240761-001	Heating element - boiler	
14	00-276903-056	O-ring	
15	01-240076-002	Air chamber	Boiler depressurised
16	04-005172-001	Bracket	
17	01-515154-001	Bracket	
18	01-515260-001	Rinse pump	
19	01-539645-001	Bracket	
20	00-226568-002	Capacitor	
21	04-005089-001	Hose	
22	00-323945-035	Hose clamp	
23	00-323945-018	Hose clamp	
24	01-297816-001	Tee kit	
25	04-005097-001	Hose	
26	00-324510-242	Hose clamp	
27	00-883281-001	Fill piece kit	
28	04-005155-001	Bracket	
29	00-775866-202	Pressure transmitter	
30	00-324402-016	Hose	
31	01-246214-003	Spring band clamp	
32	00-775531-001	Blind plug	
33	00-775612-001	Temperature sensor	
34	01-240135-011	O-ring	
35	00-227073-095	Jumper	

# Models with Softener

## Filling, pressure boiler (without softener)

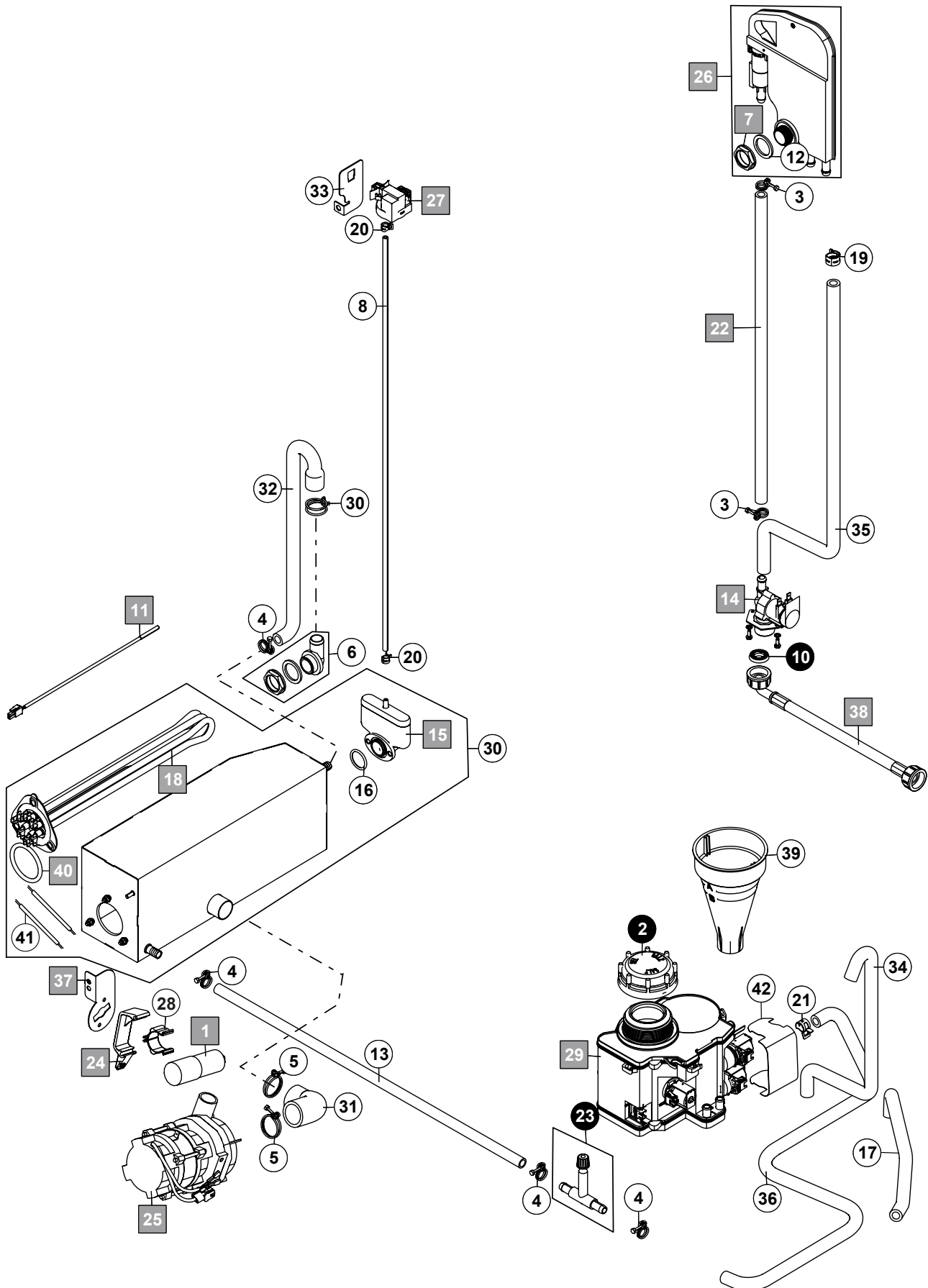
### 4. Filling, pressure boiler (without softener)



Pos. no.	Part number	Part name	Remarks
1	04-005356-001	Fill hose	
2	00-378525-001	Sealing with strainer	
3	04-005099-001	Boiler, cpl.	
4	01-240761-001	Heating element - boiler	
5	00-775612-001	Temperature sensor	
6	00-323945-018	Hose clamp	
7	01-240705-001	Hose	
8	01-297816-001	Tee kit	
9	04-005183-001	Hose	
10	00-883658-002	Filling valve	
11	00-323945-016	Hose clamp	
12	00-323945-021	Hose clamp	
13	01-297802-003	Hose	
14	00-775759-002	Backflow preventer	
15	00-324384-000	Nut	
16	00-775305-001	Gasket	
17	01-297500-001	Cover	
18	04-005170-001	Hose	
19	00-324510-242	Hose clamp	
20	01-240135-011	O-ring	
21	00-227073-095	Jumper	

Filling, boiler (with softener)

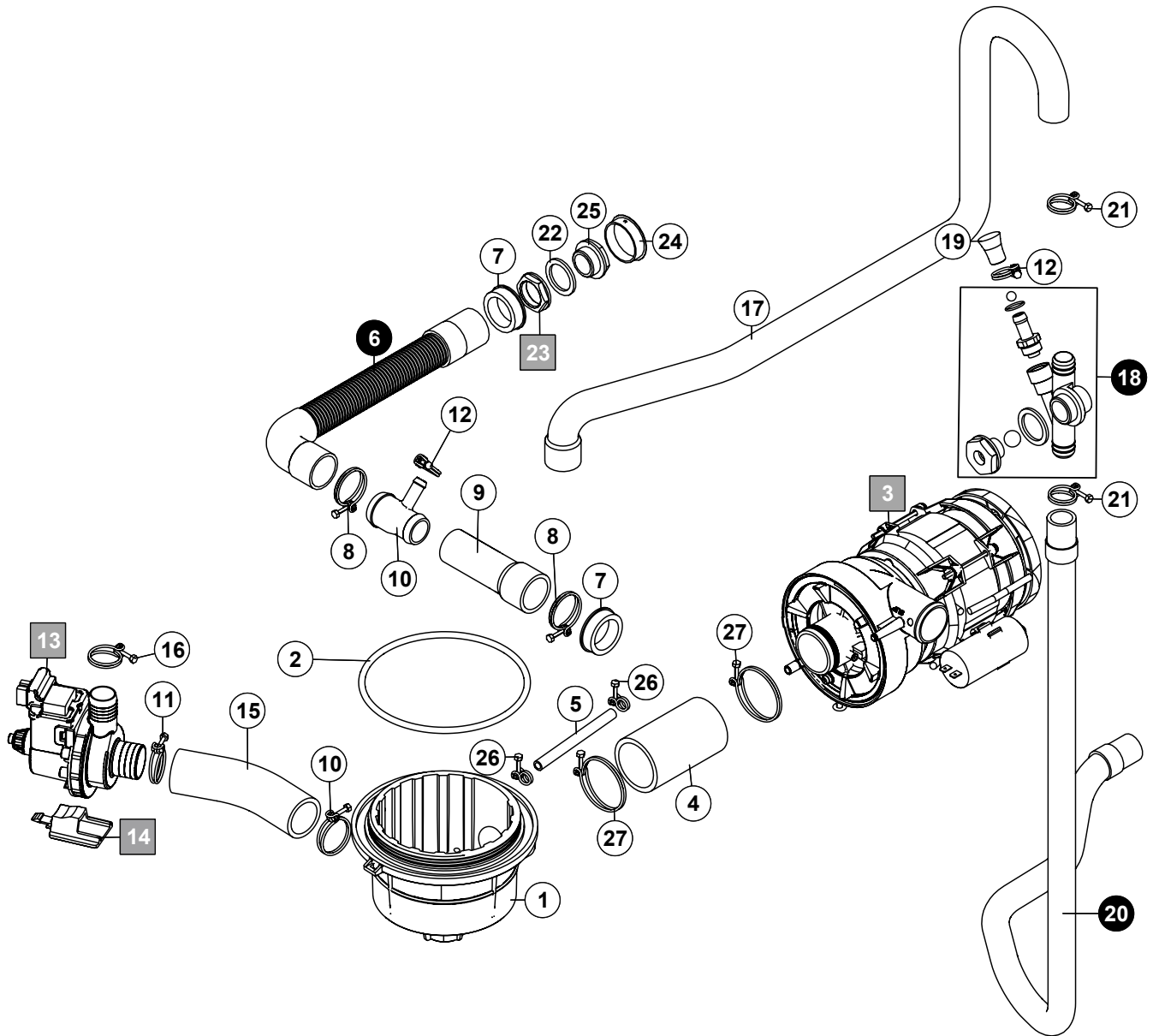
5. Filling, boiler (with softener)



Pos. no.	Part number	Part name	Remarks
1	00-226568-002	Capacitor	
2	04-005030-050	Replacement kit (cap)	
3	00-323945-016	Hose clamp	
4	00-323945-018	Hose clamp	
5	00-323945-035	Hose clamp	
6	00-883281-001	Fill piece kit	
7	00-324384-000	Nut	
8	00-324402-016	Hose	
9	00-324510-242	Hose clamp	
10	00-378525-001	Sealing with strainer	
11	00-775612-001	Temperature sensor	
12	00-775305-001	Gasket	
13	00-775611-003	Hose	
14	00-883658-001	Filling valve	
15	01-240076-002	Air chamber	
16	00-276903-056	O-ring	
17	01-240705-001	Hose	only with hand drain
18	01-240761-001	Heating element - boiler	
19	01-246214-002	Spring band clamp	
20	01-246214-003	Spring band clamp	
21	01-246214-008	Spring band clamp	
22	01-246371-004	Hose	
23	01-297816-001	Tee kit	
24	01-515154-001	Bracket	
25	01-515260-001	Rinse pump	
26	01-515331-002	Spare parts kit waterbreak	incl. pos. 7 + 12
27	00-775866-202	Pressure transmitter	
28	01-539645-001	Bracket	
29	04-005030-001	Softener, cpl.	
30	04-005083-001	Boiler, cpl.	
31	04-005089-001	Hose	
32	04-005097-001	Hose	
33	04-005155-001	Bracket	
34	04-005162-001	Hose	only with pump drain
35	04-005163-001	Hose	
36	04-005164-001	Hose	
37	04-005172-001	Bracket	
38	04-005356-001	Fill hose	
39	04-005367-001	Funnel	
40	01-240135-011	O-ring	
41	00-227073-095	Jumper	
	00-609745-000	Salt VE 2Kg	
42	04-005261-001	Cover softener	

Wash- and drain pump

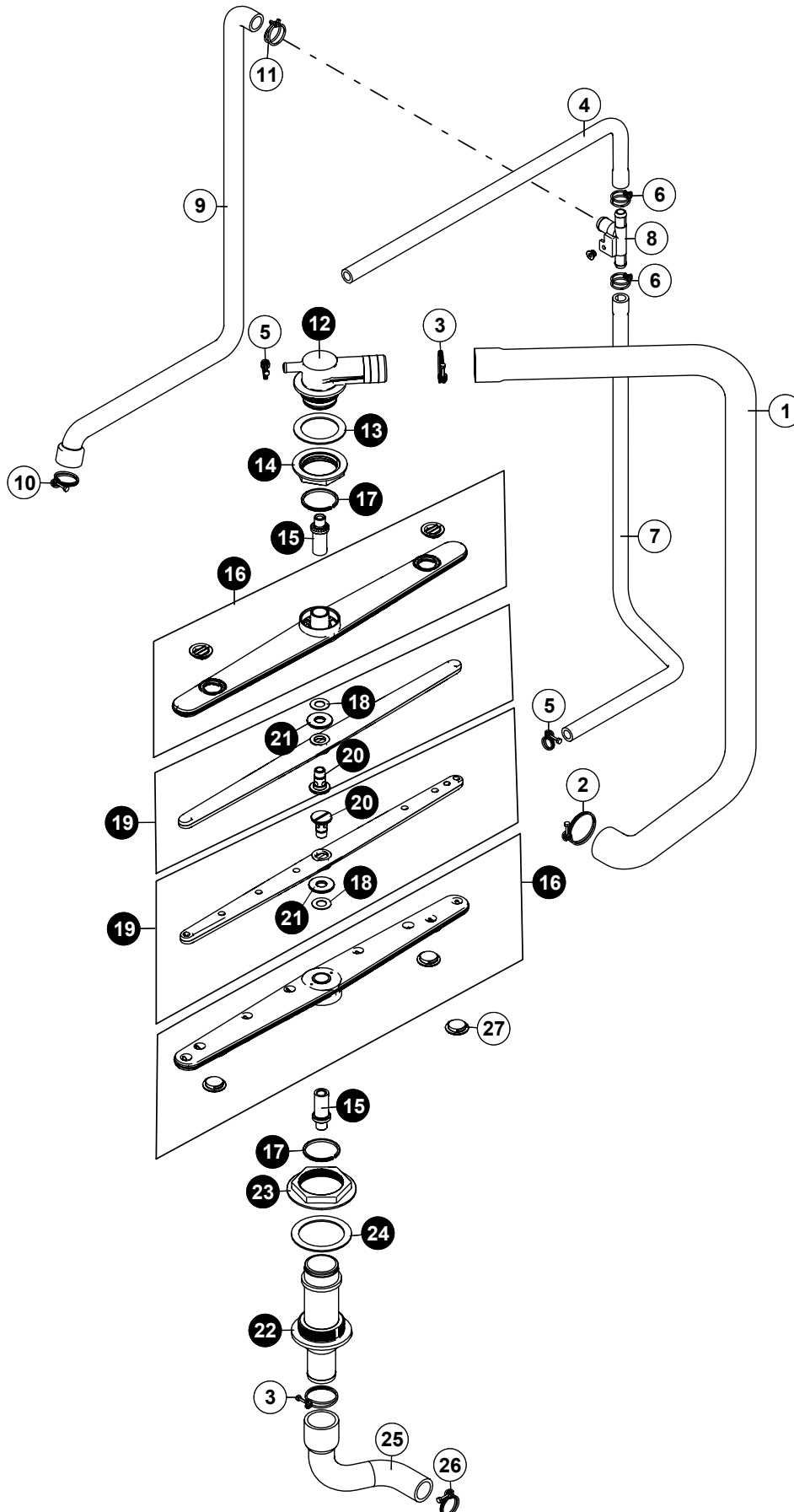
6. Wash- and drain pump



Pos. no.	Part number	Part name	Remarks
1	04-005303-001	Tank flange	
2	00-276903-075	O-ring	
3	04-005300-001	Wash pump, cpl.	
	04-005300-002	Wash pump, cpl. 60 Hz	F504-32B
4	04-005347-001	Hose	
5	04-005249-001	Hose	
6	01-539652-001	Drain hose	only with drain without pump
7	00-886756-003	Socket	
8	00-323945-037	Hose clamp	
9	01-515970-001	Hose	only with drain without pump with softener
10	01-240788-001	Tee	
11	00-323945-033	Hose clamp	
12	00-323945-018	Hose clamp	
13	04-005077-001	Drain pump	only with drain with pump
14	04-005092-001	Bracket drain pump	
15	04-005100-001	Hose	
16	00-323945-031	Hose clamp	
17	04-005165-001	Hose	
18	01-240142-001	Ventilation valve, cpl.	
19	00-775531-001	Blind plug	
20	00-324045-000	Hose	
21	00-324510-140	Hose clamp	
22	00-775305-001	Gasket	
23	00-324384-000	Nut	
24	00-895609-003	Covering	
25	01-297500-001	Covering	
26	00-323945-015	Hose clamp	
27	00-323945-053	Hose clamp	

Wash- and rinse system

7. Wash- and rinse system

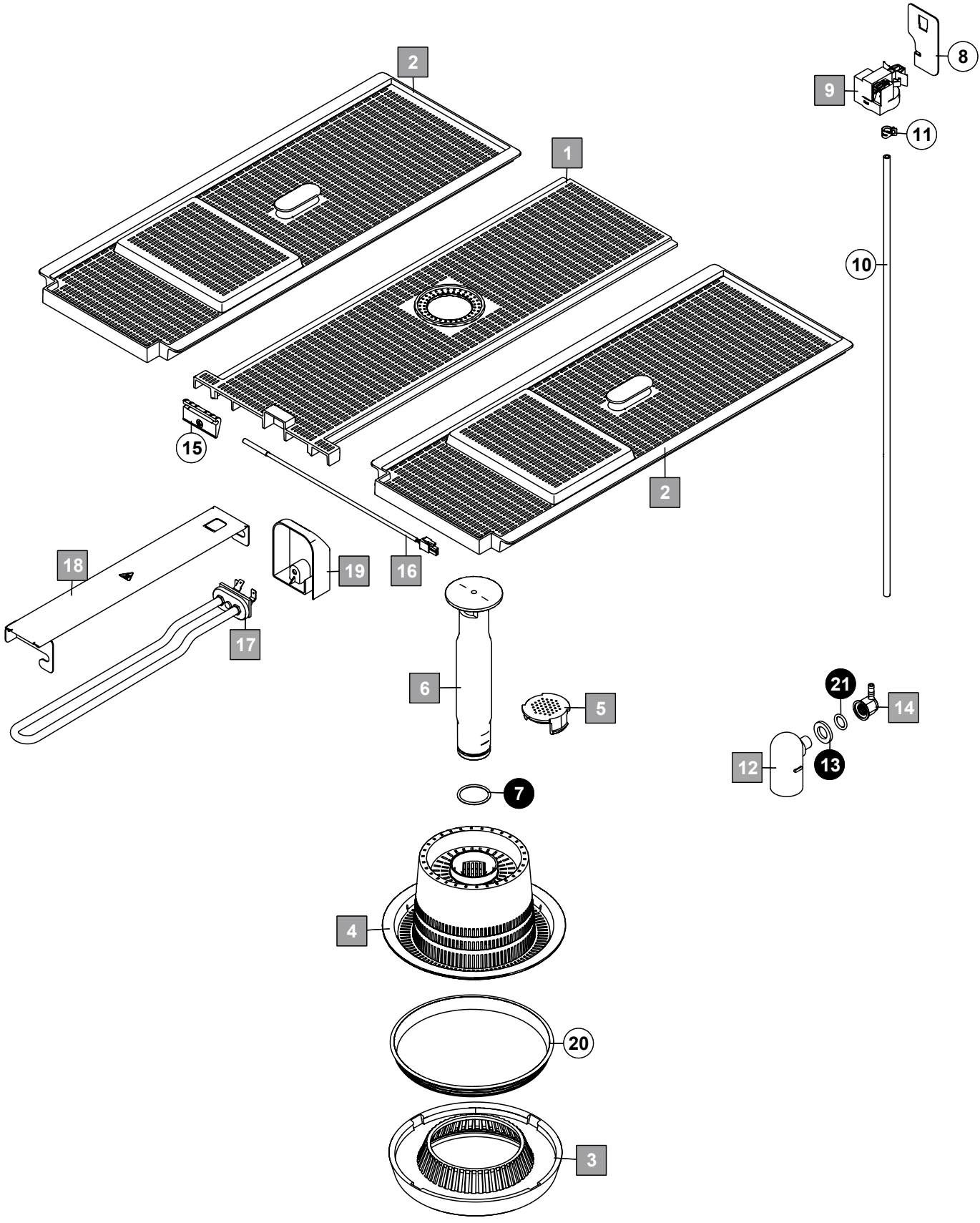




Pos. no.	Part number	Part name	Remarks
1	04-005334-001	Wash manifold	
2	00-323945-046	Hose clamp	
3	00-323945-043	Hose clamp	
4	04-005166-001	Hose	
5	00-323945-018	Hose clamp	
6	00-324510-202	Hose clamp	
7	04-005166-002	Hose	
8	00-324071-000	Tee	
9	04-005090-001	Hose	only with rinse pumpe (boiler depressurised)
	04-005170-001	Hose	Pressure boiler
10	00-323945-033	Hose clamp	only with rinse pumpe (boiler depressurised)
11	00-324510-242	Hose clamp	
12	04-005310-001	Upper wash arm bearing	
13	00-172986-043	Gasket	
14	04-005311-001	Nut	
15	04-005025-001	Axle	
16	04-005026-001	Wash arm, cpl.	
17	01-515356-001	Sliding ring	
18	00-774072-007	Teflon washer	
19	04-005066-001	Rinse arm, cpl.	
20	01-240095-001	Axle	
21	01-240205-001	Milled nut	
22	04-005307-001	Lower wash arm bearing	
23	04-005308-001	Nut	
24	00-172986-042	Gasket	
25	04-005335-001	Hose	
26	00-323945-033	Hose clamp	
27	01-515110-001	Wash arm plug	

Tank and strainer system

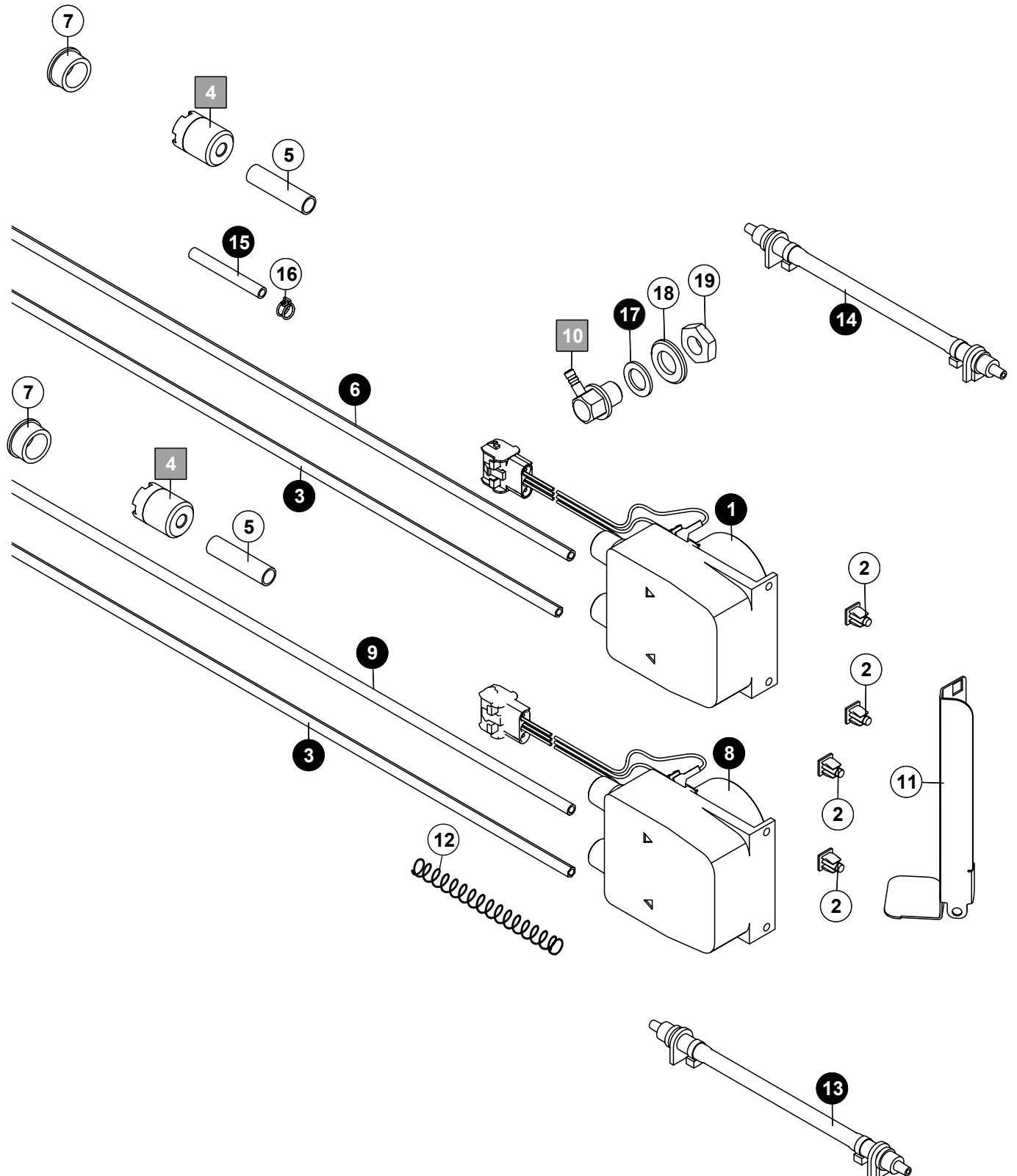
8. Tank and strainer system



Pos. no.	Part number	Part name	Remarks
1	04-005301-001	Strainer (center)	
2	04-005302-001	Strainer (side)	
3	04-005304-001	Nut, suction	
4	04-005305-001	Strainer	
5	04-005360-001	Plug	only strainer system with drain pump
6	04-005306-001	Overflow pipe	only strainer system without drain pump
7	00-276903-074	O-ring	only strainer system without drain pump
8	04-005155-001	Bracket	
9	00-775866-202	Pressure transmitter	
10	00-324402-015	Hose	
11	01-246214-003	Spring band clamp	
12	04-005370-001	Air chamber	
13	00-172986-036	Gasket	
14	04-005368-001	Nut	
15	01-297719-001	Bracket temperature sensor	
16	00-775612-001	Temperature sensor	
17	04-005192-001	Heating element	
18	04-005195-001	Protective cover heating element	
19	01-515113-001	Protective cover heating element	
20	04-005237-001	Gasket	
21	00-884505-002	O-ring	

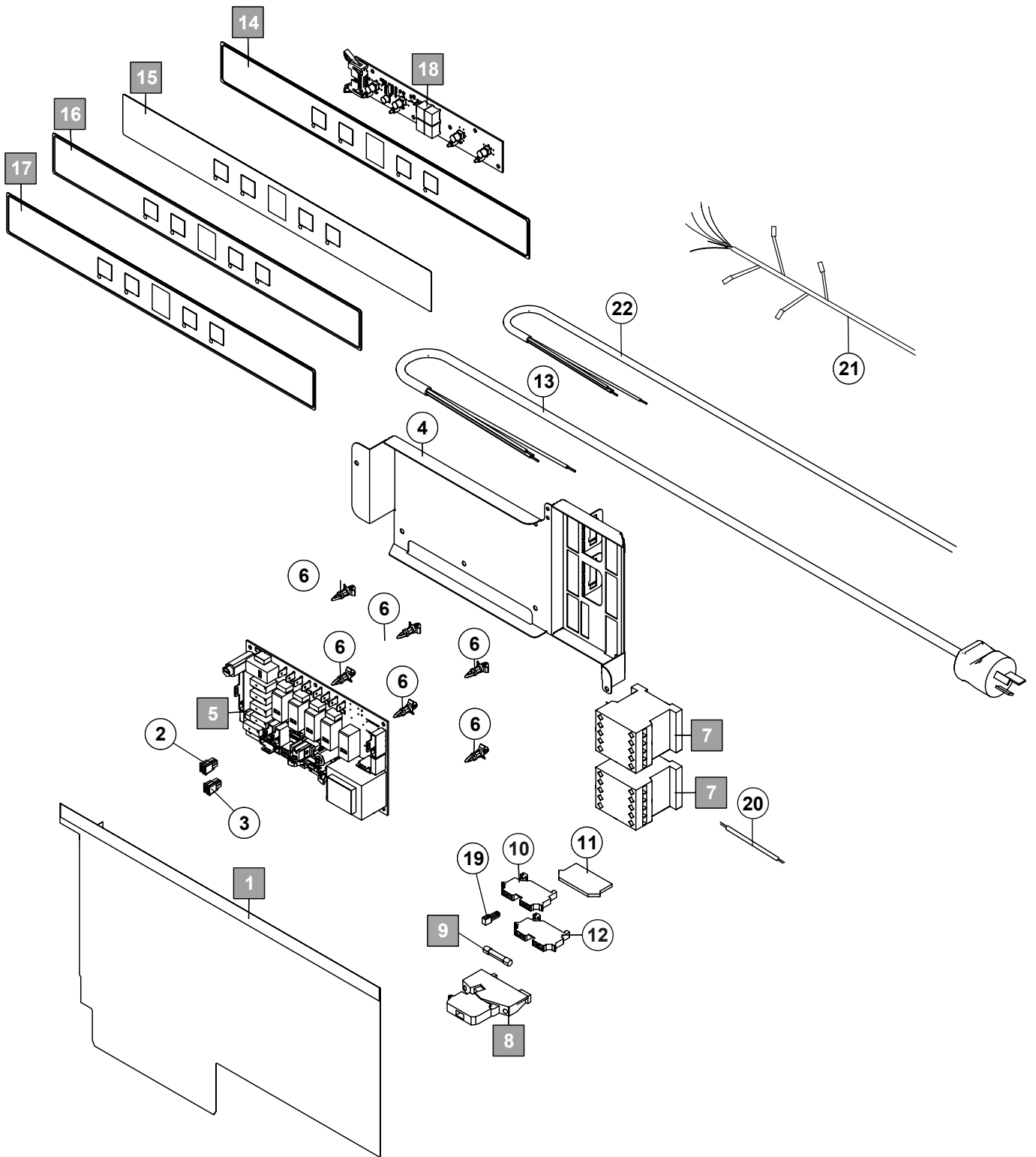
Detergent/rinse aid

9. Detergent/rinse aid



Pos. no.	Part number	Part name	Remarks
1	01-515269-006	Dosing unit rinse aid	only machines with rinse aid
2	00-775460-001	Bracket	only machines with dosing pump
3	01-515410-001	Hose	
4	00-775239-001	Suction piece	
5	01-246210-001	Hose (blue)	only machines with rinse aid
6	01-515410-013	Hose	
7	00-886756-004	Socket	
8	01-515269-002	Dosing unit detergent	
9	01-515410-007	Hose	only machines with detergent
10	04-005333-001	Injector (detergent)	
11	04-005251-001	Bracket	
12	00-324381-000	Spring	only machines with dosing pump
13	00-775608-002	Spare parts kit mill hose detergent	only machines with detergent
14	00-775608-003	Spare parts kit mill hose rinse aid	only machines with detergent
15	01-515410-017	Hose	only machines with rinse aid
16	00-324510-068	Hose clamp	only machines without dosing
17	00-774072-006	Teflon washer	
18	00-602289-000	Washer	
19	00-602481-000	Nut	

10. Control



Pos. no.	Part number	Part name	Remarks
1	04-005224-001	Protective sheet	
2	04-005178-001	Connector	only with pressure boiler
3	04-005178-002	Connector	only with rinse pump
4	04-005250-001	Bracket	
5	04-005320-001	Control unit	
6	04-005173-001	Bracket	
7	00-695521-062	Contacter	
8	00-775548-001	Clip	
9	00-775570-001	Fuse	
10	00-323979-012	Terminal	
11	00-324887-005	Board	only at 1P /3P: F502-32B
12	00-323979-010	Terminal	only at 1P /3P: F502-32B
13	01-510061-004	Cable	only for Australia
14	04-005046-001	Keyboard foil	
15	04-005222-001	Keyboard foil	only F504-60B
16	04-005181-001	Keyboard foil	Cookmax
17	04-005182-001	Keyboard foil	FHE
18	04-005050-001	Operating and display unit	
19	00-324300-004	Jumper	only at 1P /3P: F502-32B
20	00-227073-081	Jumper	only at 1P /3P: F502-32B
21	04-005127-001	Cable	cable range control
22	00-374343-005	Cable	1P
	00-374339-008	Cable	3P

**ecomax by HOBART**

Robert-Bosch-Str. 17  
77656 Offenburg  
Telefon +49(0)1803 32 66 29  
Fax +49(0)1803 32 63 29  
E-Mail: [info@ecomaxbyhobart.de](mailto:info@ecomaxbyhobart.de)  
Internet: [www.ecomaxbyhobart.de](http://www.ecomaxbyhobart.de)

**HOBART Export**

Robert-Bosch-Str. 17  
77656 Offenburg  
Germany  
Phone: +49 (0)781.600-2820  
Fax: +49 (0)781.600-2819  
E-Mail: [info-export@hobart.de](mailto:info-export@hobart.de)  
Internet: [www.hobart-export.com](http://www.hobart-export.com)

**Hobart UK.**

Southgate Way,  
Orton Southgate,  
Peterborough  
PE2 6GN  
United Kingdom  
Tel.: +44 (0)844 888 7777  
Republic of Ireland: +353 (0)1246 0248  
Fax: +44 (0)1733 361 347  
E-mail: [part.sales@hobartuk.com](mailto:part.sales@hobartuk.com)  
Internet: [www.hobartuk.com](http://www.hobartuk.com)

**Compagnie HOBART SAS**

Allée du 1er mai  
77183 Croissy Beaubourg  
FRANCE  
Tel: +33 (0)1 64 11 60 00  
Fax: +33 (0)1 64 11 60 10  
E-mail: [contact@hobart.fr](mailto:contact@hobart.fr)  
Internet: [www.hobart.fr](http://www.hobart.fr)

**Hobart Nederland BV**

Pompmolenlaan 12  
3447 GK Woerden  
Telefoon +31 (0)348 462626  
Fax: +31 (0)348 430117  
E-mail: [info@hobartnederland.nl](mailto:info@hobartnederland.nl)  
Internet: [www.hobartnederland.nl](http://www.hobartnederland.nl)

**Hobart Foster Belgium bvba/sprl**

Industriestraat 6  
1910 Kampenhout  
Telefoon +32 (0) 16.60.60.40  
Fax +32 (0) 16.60.59.88  
E-mail: [info@hobart.be](mailto:info@hobart.be)  
Internet: [www.hobart.be](http://www.hobart.be)

**Hobart Norge**

Gamle Drammenvei 120  
N-1363 Høvik  
Tlf.: +47-67109800  
E-post: [post@hobart.no](mailto:post@hobart.no)  
Hjemmeside: [www.hobart.no](http://www.hobart.no)

**Hobart Scandinavia ApS**

Håndværkerbyen 27  
2670 Greve  
Danmark  
Tlf.: +45 4390 5012  
Fax.: +45 4390 5002  
E-mail: [salg@hobart.dk](mailto:salg@hobart.dk)  
Internet: [www.hobart.dk](http://www.hobart.dk)

Hobart Sweden/Finland

Tel: +46 8 584 50 920  
E-mail: [info@hobart.se](mailto:info@hobart.se)  
Internet: [www.hobart.se](http://www.hobart.se)

**Australia****Hobart Food Equipment**

Unit 1 / 2 Picken Street,  
Silverwater NSW, 2128  
Tel: +61 1800 462 278  
Fax: +61 02 9714 0222  
E-mail: [sales@hobartfood.com.au](mailto:sales@hobartfood.com.au)  
Internet: [www.hobartequipment.com.au](http://www.hobartequipment.com.au)

**HOBART China**

15th Floor, Building A  
New Caohejing International Business  
Center  
391 Gui Ping Road  
Shanghai, 200233  
Telephone: +86 (0)21 34612000  
Fax: +86 (0)21 34617166  
Internet: [www.hobartchina.com](http://www.hobartchina.com)