

# **AM60E DISHWASHERS PARTS MANUAL**



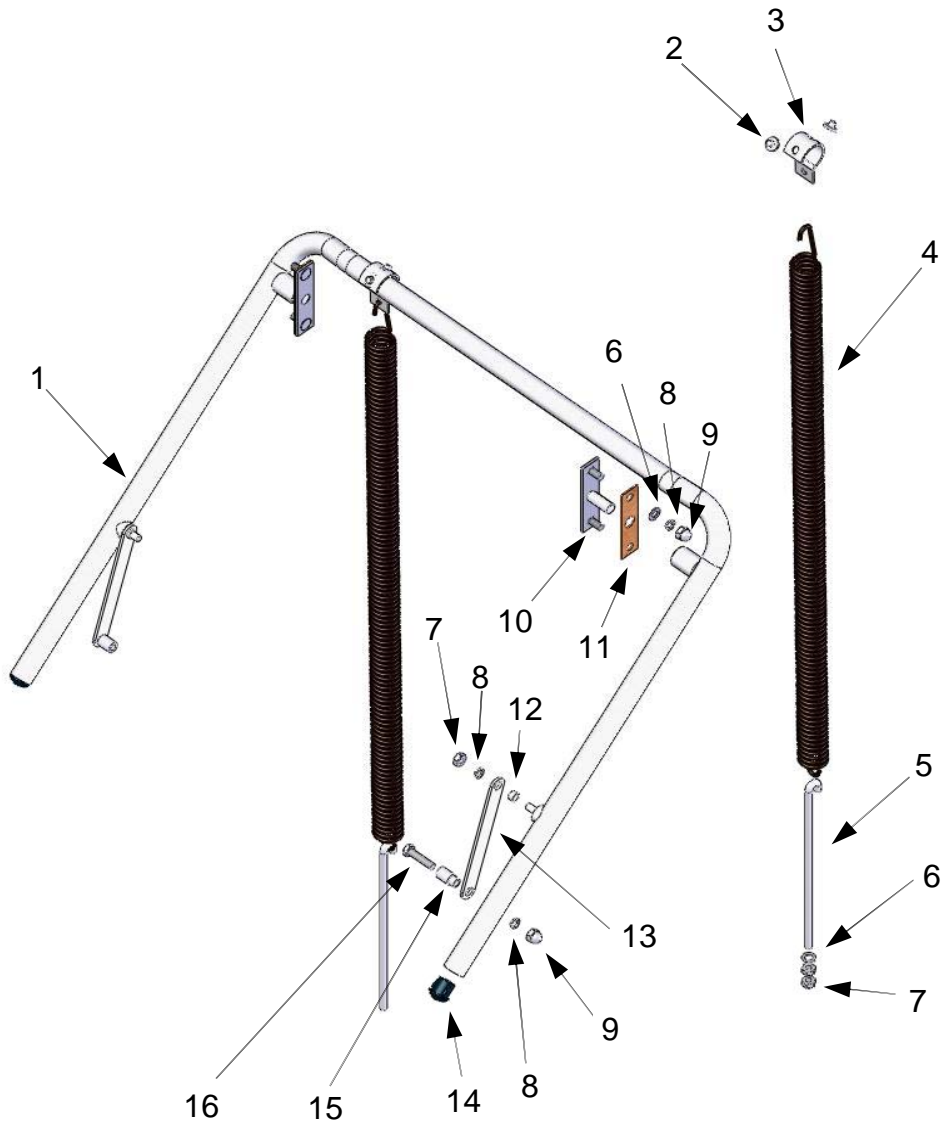
HOBART FOOD EQUIPMENT CO.,LTD

FORM 7153072  
Version 1.5 201508

# CONTENTS

DOOR LIFT.....	1
WASH CHAMBER AND DOORS.....	3
WASH AND RINSE SYSTEM.....	5
WASH TANK.....	7
LOWER FRAME ASSEMBLY.....	9
WATER INLET (NO BOOSTER).....	11
WATER INLET AND BOOSTER (OPEN BOOSTER).....	15
CONTROL BOX.....	19
ENCLOSURE PANELS.....	21

# DOOR LIFT

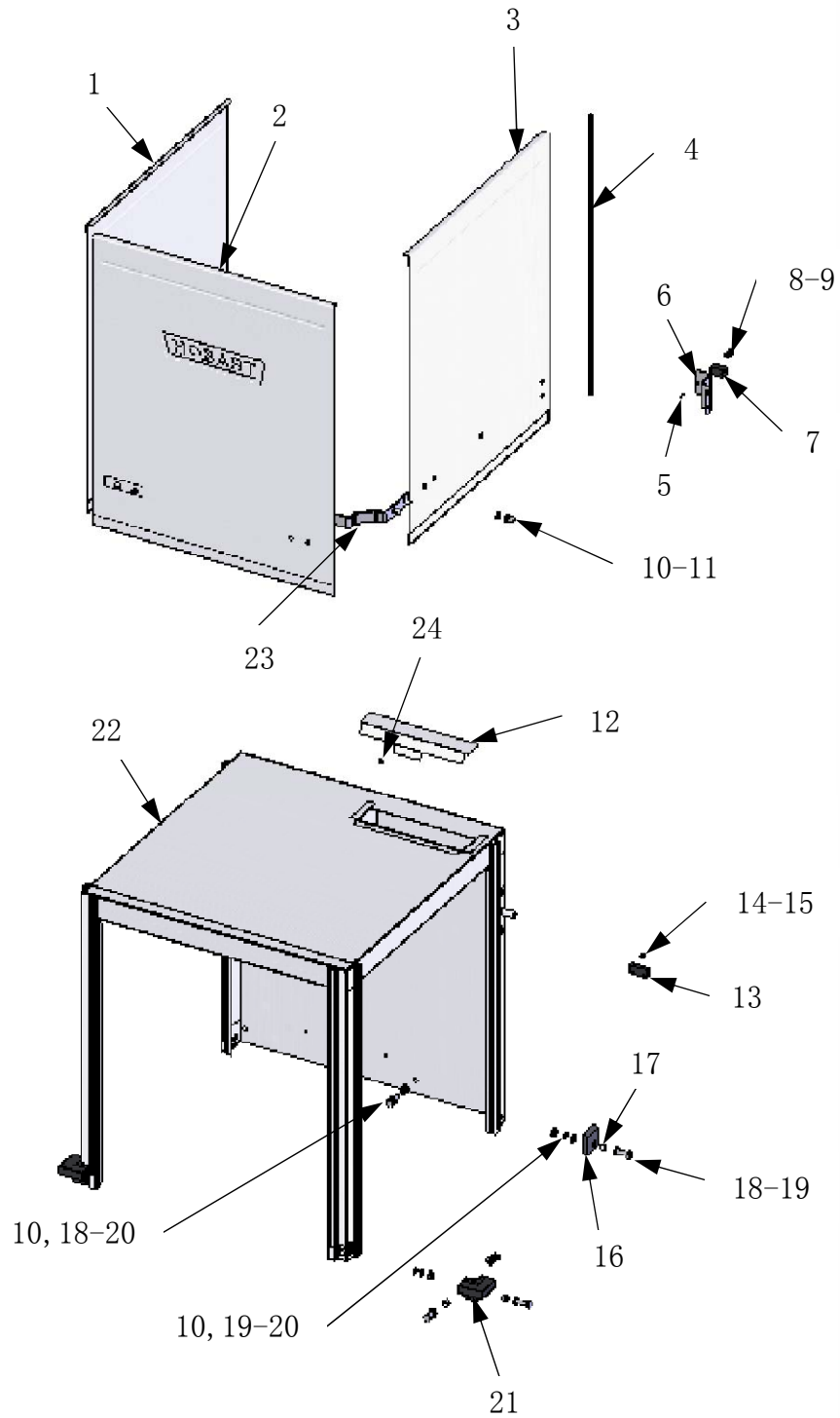


---

## DOOR LIFT

	<b>PART NO.</b>	<b>NAME OF PART</b>	<b>AMT.</b>
1	743251	Door Lift Assy	1
2	119055	Button-Bearing	4
3	79008X	Hanger-Spring	2
4	743258	Spring	2
5	743282X	Hook-Spring	2
6	WS-M8	Washer M8	34
7	NS-M8	Nut M8	20
8	WL-M8	Lock Washer M8	24
9	NC-M8	Nut M8 Crown	14
10	743268	Bearing Bracket & Pin Assy	2
11	473432	Gasket-Door Lift	2
12	74068	Spacer-Door	2
13	119011	Link-Door	2
14	474831	Plug-Handle	2
15	119046	Pin-Door Lift	2
16	SCH-M8-35	Bolt M8x35	2

# WASH CHAMBER AND DOORS

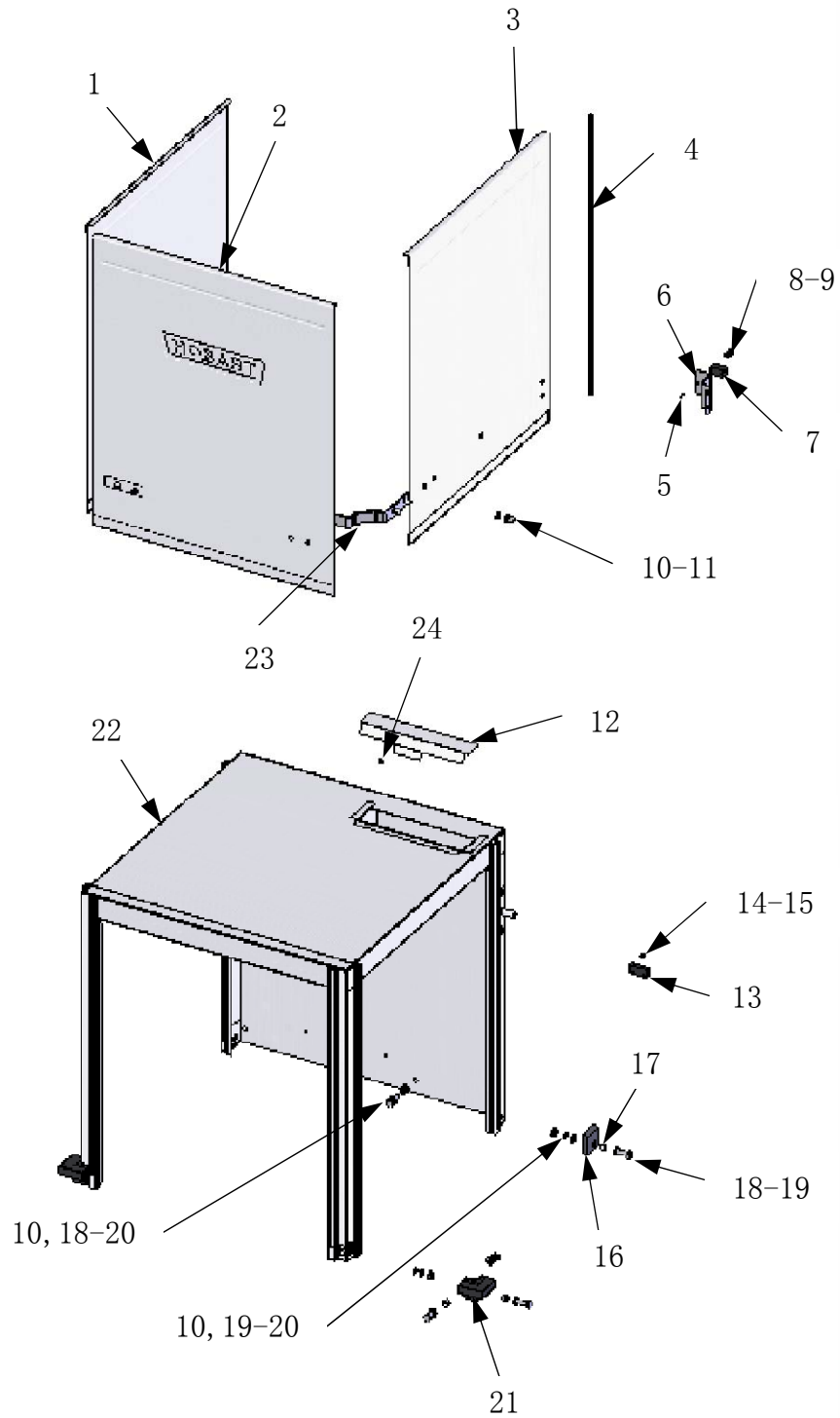


---

## WASH CHAMBER AND DOORS

	<b>PART NO.</b>	<b>NAME OF PART</b>	<b>AMT.</b>
1	743256	Door-Left	1
2	743250	Door Front	1
3	743257	Door-Right	1
4	112378-23	Guide-Door	7
5	SDT-M3-12	Bolt Self Screw M3x12	2
6	7153076	Bracket-Magnet	1
7	743269	Magnet	1
8	WL-M6	Lock Washer M6	12
9	NS-M6	Nut M6	20
10	WL-M8	Lock Washer M8	24
11	NC-M8	Nut M8 Crown	14
12	7153041	Vent Flapper	1
13	743271	Reed Switch-Door	1
14	WS-M3	Washer M3	2
15	NS-M3	Nut M3	2
16	743316	Insert- Tank Corner (Rear)	2
17	743306	Spacer-Tank & Chamber	6
18	SCH-M8-25	Bolt M8x25	10
19	WS-M8	Washer M8	34
20	NS-M8	Nut M8	20
21	7153035	Insert- Tank & Chamber (Front)	2
22	7153037	Chamber	1
23	743305	Bracket-Door Lift	2
24	7153041-1	Rubber plug	1

# WASH CHAMBER AND DOORS



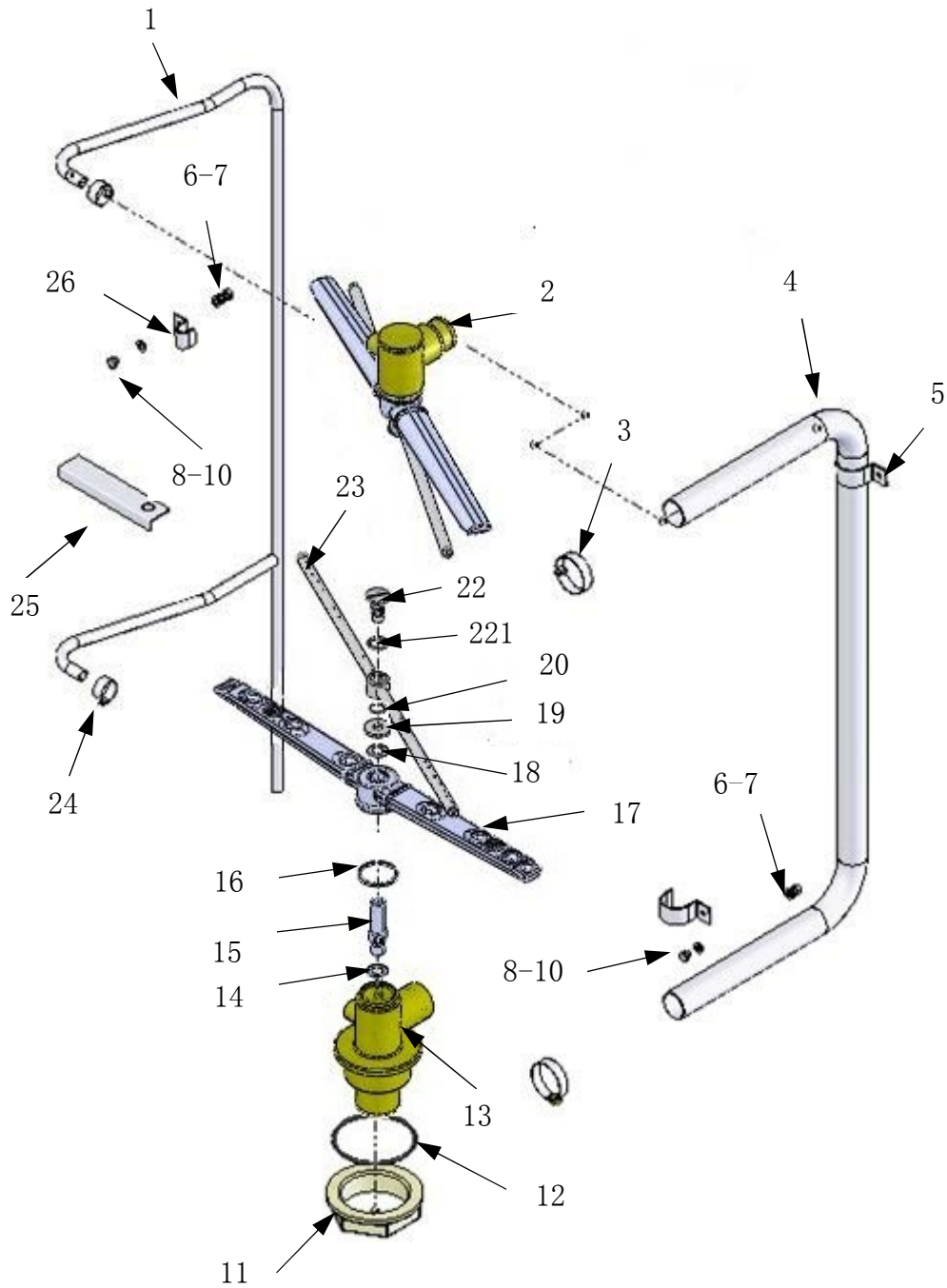
---

## WASH CHAMBER AND DOORS

	<b>PART NO.</b>	<b>NAME OF PART</b>	<b>AMT.</b>
1	743256	Door-Left	1
2	743250	Door Front	1
3	743257	Door-Right	1
4	112378-23	Guide-Door	7
5	SDT-M3-12	Bolt Self Screw M3x12	2
6	7153076	Bracket-Magnet	1
7	00-166964-000	Magnet	1
8	WL-M6	Lock Washer M6	12
9	NS-M6	Nut M6	20
10	WL-M8	Lock Washer M8	24
11	NC-M8	Nut M8 Crown	14
12	7153041	Vent Flapper	1
13	743271	Reed Switch-Door	1
14	WS-M3	Washer M3	2
15	NS-M3	Nut M3	2
16	743316	Insert- Tank Corner (Rear)	2
17	743306	Spacer-Tank & Chamber	6
18	SCH-M8-25	Bolt M8x25	10
19	WS-M8	Washer M8	34
20	NS-M8	Nut M8	20
21	7153035	Insert- Tank & Chamber (Front)	2
22	7153037	Chamber	1
23	743305	Bracket-Door Lift	2
24	7153041-1	Rubber plug	1



# WASH AND RINSE SYSTEM

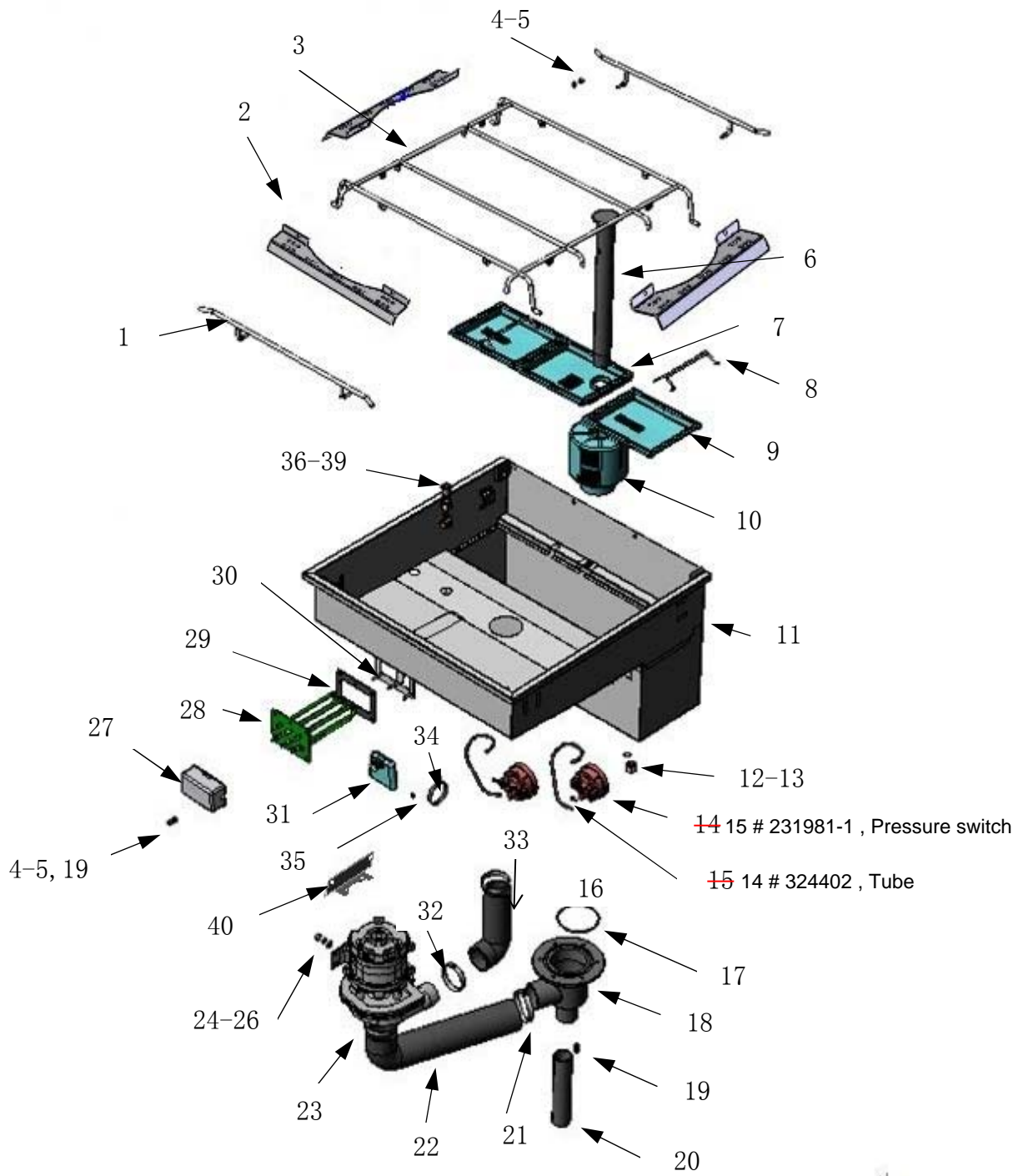


---

## WASH AND RINSE SYSTEM

	<b>PART NO.</b>	<b>NAME OF PART</b>	<b>AMT.</b>
1	7153009	Rinse Piping Assy	1
2	7153000-2	Upper Manifold/Shaft Assy	1
3	7153074	Clamp- 40mm	2
4	7153060	Wash Pipe	1
5	743263	Clamp- Wash Piping	2
6	SCH-M6-16	Bolt M6x12	3
7	WS-M6	Washer M6	3
8	NS-M6	Nut M6	3
9	WL-M6	Lock Washer M6	3
10	WS-M6	Washer M6	3
11	743449	Nut-Manifold	1
12	7153062	"O" ring 3.55x84.6	1
	7153003-1	Lower Manifold/Shaft Assy(Incl. Item 13,14&15)	1
13	7153004-3	Lower Manifold/Shaft	1
14	7153004-2	Ring-Lower Manifold/Shaft	1
15	7153000-3	Shaft-Manifold	1
16	00-775933-003	Ring-Arm	1
17	01-240050-001	Wash Arm Assy	2
18	00-774072-007	Washer	2
19	7159006-6	Nut-Rinse Arm	2
20	00-774072-002	Washer-Rinse Arm	2
21	00-774072-001	Washer-Rinse Arm	2
22	7159006-1	Shaft-Rinse Arm	2
23	7159006-7	Tube-Rinse Arm	2
	7159006	Rinse Arm Assy(incl. Item 18 to 23)	2
24	7153073	Clamp-28mm	2
25	7153053	Cover Piece-Rinse Piping	1
26	7153090	Clamp- Rinse Piping	1

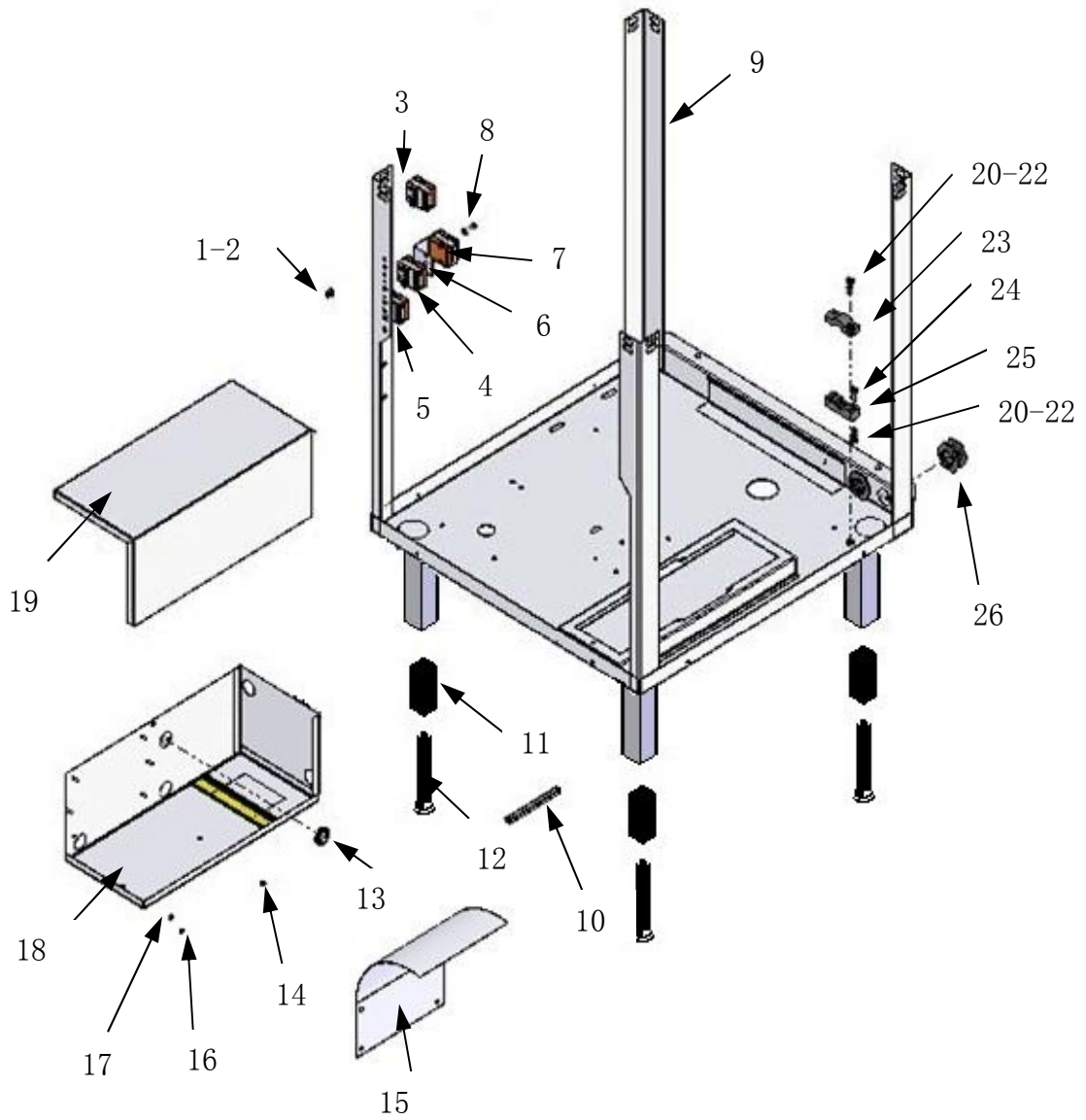
# WASH TANK



# WASH TANK

	<b>PART NO.</b>	<b>NAME OF PART</b>	<b>AMT.</b>
1	743295	Track-Side Rail	2
2	743270-1	Plate-Splash Protection	3
3	743265	Rack-Rack	1
4	NS-M6	Nut M6	55
5	WS-M6	Washer M6	75
6	743302	Overflow Pipe	1
7	7153005	Strainer Pan-Middle	1
8	7153054	Handle-Strainer Pan	4
9	7153006	Stranier Pan-Side	2
10	7153008	Straniner-Pump Intake	1
11	7153026	Tank	1
12	67500-6	"O" Ring 12.5x1.8	1
13	743293	Nut-Sealed	1
14	<del>743303</del>	Pressure Switch Tube ( 743303 replaced by 324402 )	2
15	231981-1	Pressure Switch	2
16	SDT-M4-12	Bolt-Self Screw M3x12	2
17	7153066	"O" Ring 5.3x99.6	1
18	7153007	Drain Flange	1
19	WL-M6	Lock Washer M6	54
20	7153058	Drain Tube	1
21	538412	Clamp-70mm	2
22	7153051	Hose-Wash Pump Inlet	1
23	02-883617-001	Wash Pump (200-220V/50/1)	1
	02-883617-002	Wash Pump (200-220V/60/1)	1
	02-883617-003	Wash Pump (200V/50/1)	1
	02-883617-004	Wash Pump (2000V/60/1)	1
24	NS-M8	Nut M8	20
25	WL-M8	Lock Washer M8	24
26	WS-M8	Washer M8	34
27	743313	Cover-Heater Terminal	3
28	743278	Tank Heater (220/380V 2kW)	1
	743278-2	Tank Heater (220/380V 3kW)	1
29	743312	Gasket-Heater	3
30	743279	Plate-Heater Mounting	1
31	324858	Air Chamber	1
32	521687	Clamper-50mm	2
33	7153052	Hose-Wash Pump Outlet	1
34	122577-2	ply-yarn drill	1
35	NS-47-94	Lock Washer	1
36	743293	Nut- Sealed	2
37	67500-6	O Ring 12.5*2.65	4
38	743292	Nut- Plug & Tube	1
39	743291	Screw- Sealed	1
40	7153093	Bracket-Wash Pump	1

# LOWER FRAME ASSEMBLY

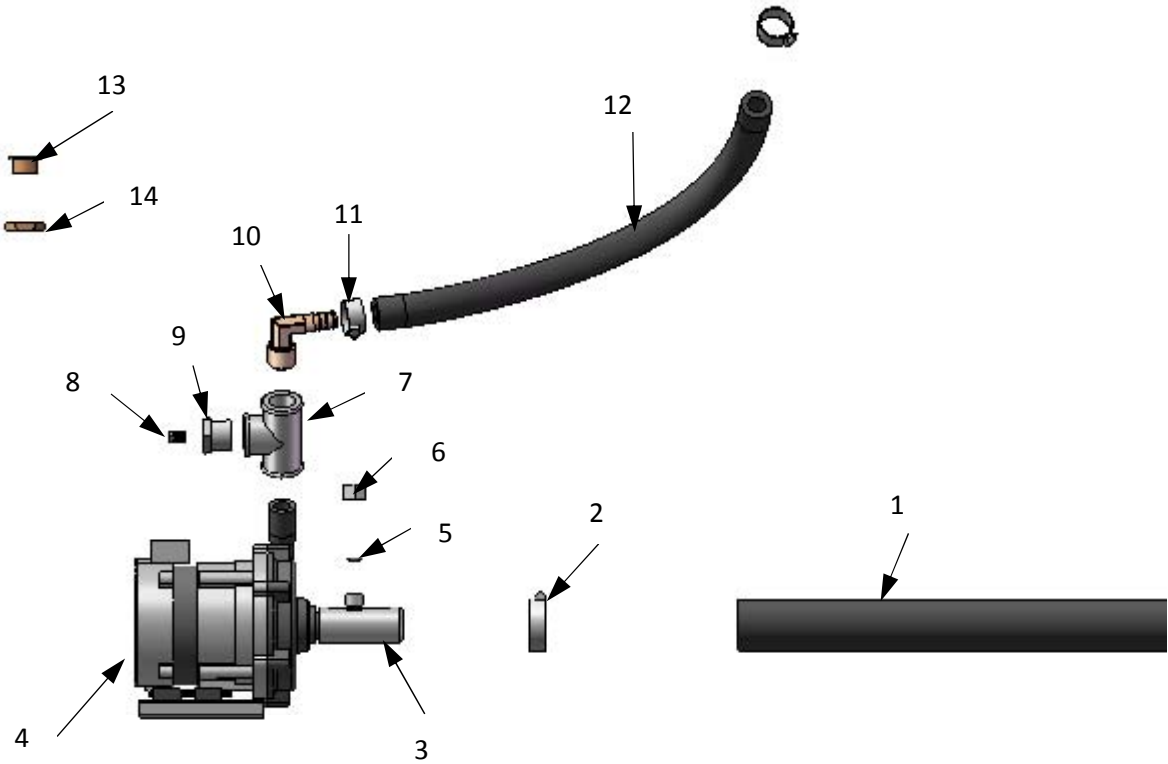


---

## LOWER FRAME ASSEMBLY

	<b>PART NO.</b>	<b>NAME OF PART</b>	<b>AMT.</b>
1	SCT-M4-6	Bolt M4x6	6
2	WS-M4	Washer M4	6
3	7112001	Thermostat 86C	1
4	743310	Thermostat 70C	1
5	743310-1	Thermostat 82C	1
6	7153024-1X	Thermostat bracket	1
7	743845	High limit thermostat 110C	1
8	ST-M4x8	Bolt M4x8	2
9	7153024X-1	Lower Frame Assy	1
10	112378-23	Guide Bar	7
11	00-325008-001	House-Foot	4
12	00-325007-001	Foot -square	
13	15260151	Rubber Ring	5
14	743374	Supporter-Control Board	4
15	743370-1	Plate-Insulation(replacing parts 14,15)	1
16	NS-M4	Nut M4	4
17		Washer	4
18	743366X	Control Box	1
19	743365-2X	Cover-Control Box	1
20	NS-M5	Nut M5	4
21	WL-M5	Lock Washer 5	4
22	WS-M5	Washer 5	4
23	743427-2	Power Line Fixed Cover	1
24	ST-M5x15	Bolt M5x15	2
25	743427-1	Wire Mount	1
26	743427-3	Bush-PowerLine	2

# WATER INLET (NO BOOSTER)



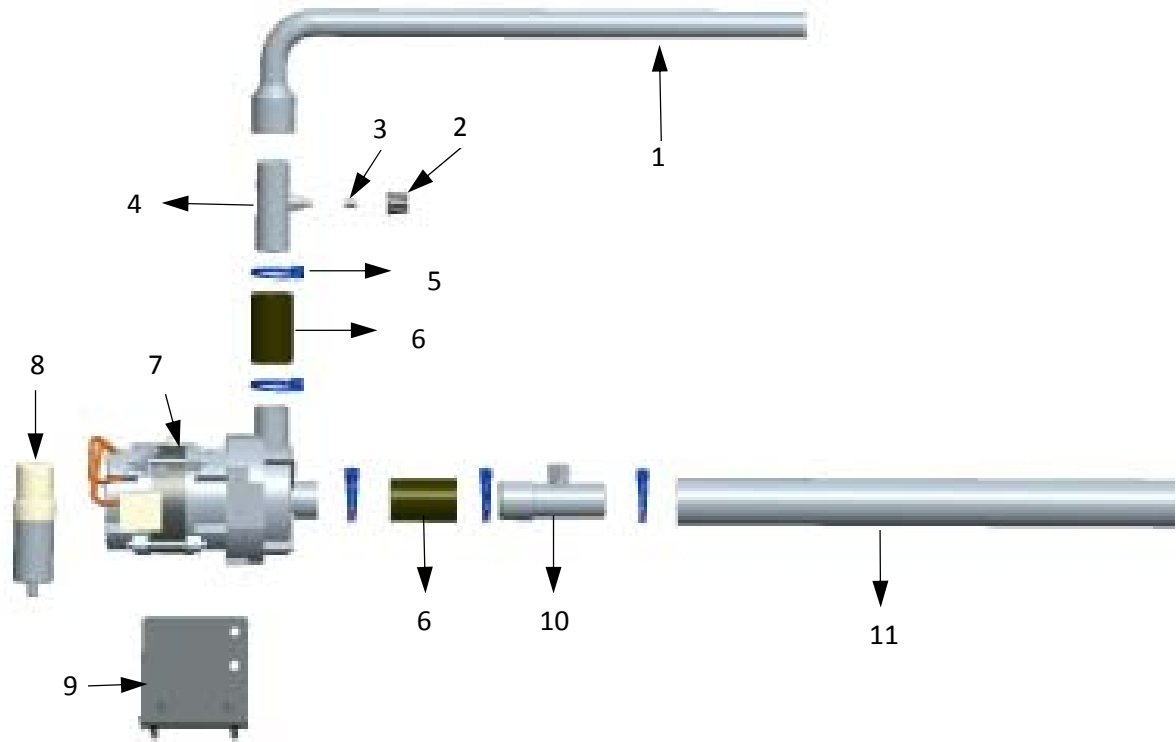
---

## WATER INLET (NO BOOSTER)

	<b>PART NO.</b>	<b>NAME OF PART</b>	<b>AMT.</b>
1	545674	Inlet Hose	1
2	743439	Clamp-35mm	2
3	7153095-300	Inlet tube	1
4	7618008	Rinse Pump (220V 50/60Hz)	1
5	743444-1	O Ring	1
6	743444	sensor Nut	1
7	7155131	Tee Joint 1/2"	1
8	743338	Pipe Plug 1/8"	1
9	7155131-1	Nipple 1/2-1/8"	1
10	7618009	Eblow Connector	1
11	743315	Clamp-25mm	2
12	7153013-2	Hose-Rinse Pump Outlet	1
13	743292	Nut- Plug & Tube	2
14	743291-1	Plug- Tank	1



# WATER INLET (NO BOOSTER)

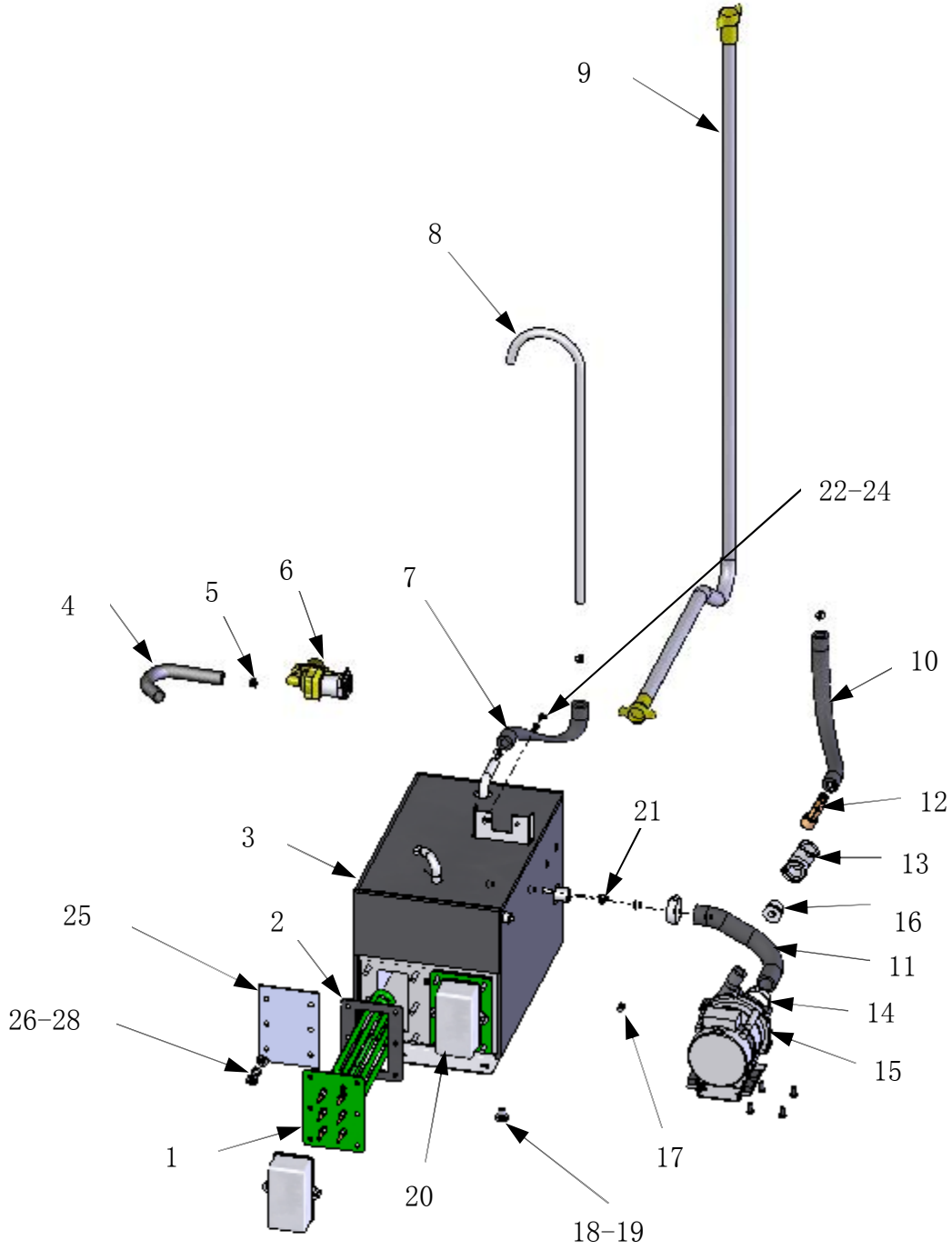


---

## WATER INLET (NO BOOSTER)

	<b>PART NO.</b>	<b>NAME OF PART</b>	<b>AMT.</b>
1	7153013-2X	Outlet hose	1
2	775507-001	Cap	1
3	7159021	Plut	1
4	7159046	Connector	1
5	00-323945-035	Clamp 35	5
6	00-883680-002	Inlet hose	2
7	00-775854-001	Rinse pump 50Hz	1
	00-775854-002	Rinse pump 60Hz	
8	00-226568-002	Capacitor	1
9	743387-1X	Pump braket	1
10	7159045	Inlet connector	1
11	545674	hose	1

# WATER INLET AND BOOSTER (OPEN BOOSTER)

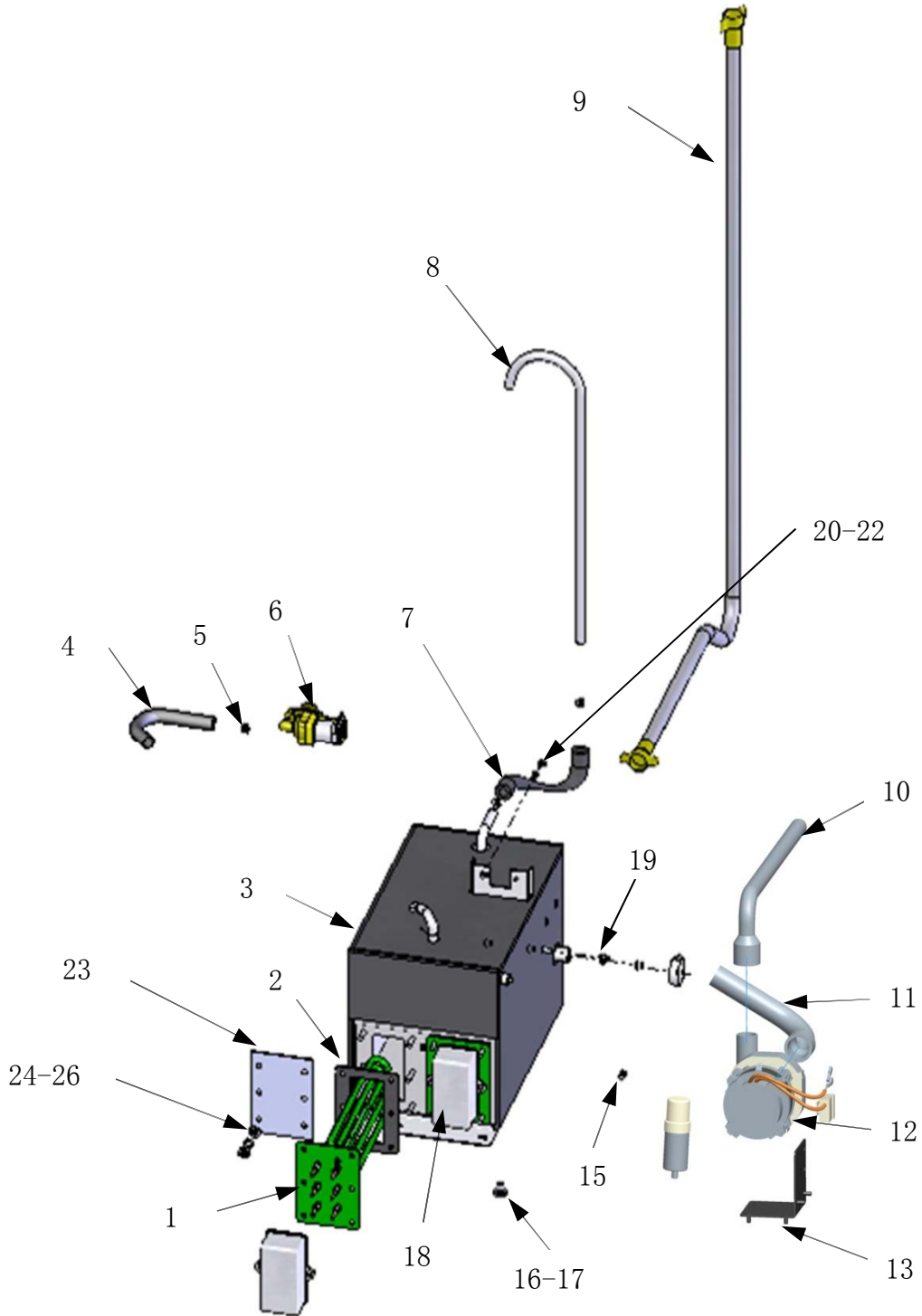


---

## WATER INLET AND BOOSTER (OPEN BOOSTER)

	<b>PART NO.</b>	<b>NAME OF PART</b>	<b>AMT.</b>
1	743314-2	Booster Heater (220/380V 6kW)	1
	743278	Tank Heater (220/380V 2kW)	1
2	743312	Gasket-Heater	3
3	7153087	Open Booster	1
4	7153089	Inlet Hose	1
5	743315	Clamp-25mm	6
6	324207-1	Fill Valve	1
7	7153013-3	Vent Hose	1
8	7153088	Vent Tube	1
9	324088-1	Fill Hose	1
10	7153013-2	Hose-Rinse Pump Outlet	1
11	7153013-1	Hose-Rinse Pump Inlet	1
12	7618009	Eblow Connector	1
13	7155131	Tee Joint 1/2"	1
14	743439	Clamp-35mm	2
15	7618008	Rinse Pump (220V 50/60Hz)	1
16	7155131-1	Nipple 1/2-1/8"	1
17	743338	Pipe Plug 1/8"	2
18	SCH-M10-10	Bolt M10x10	1
19	743311	Washer-Combination M10	1
20	743313	Cover-Heater Terminal	2
21	743337	Clamp-6	1
22	SCH-M4-10	Bolt M4x10	2
23	WL-M4	Lock Washer	2
24	WS-M4	Washer	2
25	743318	Cover-Heater Terminal(OPTION)	1
26	NS-M8	Nut M8	20
27	WS-M8	Washer M8	34
28	WL-M8	Lock Washer M8	24

# WATER INLET AND BOOSTER (OPEN BOOSTER)

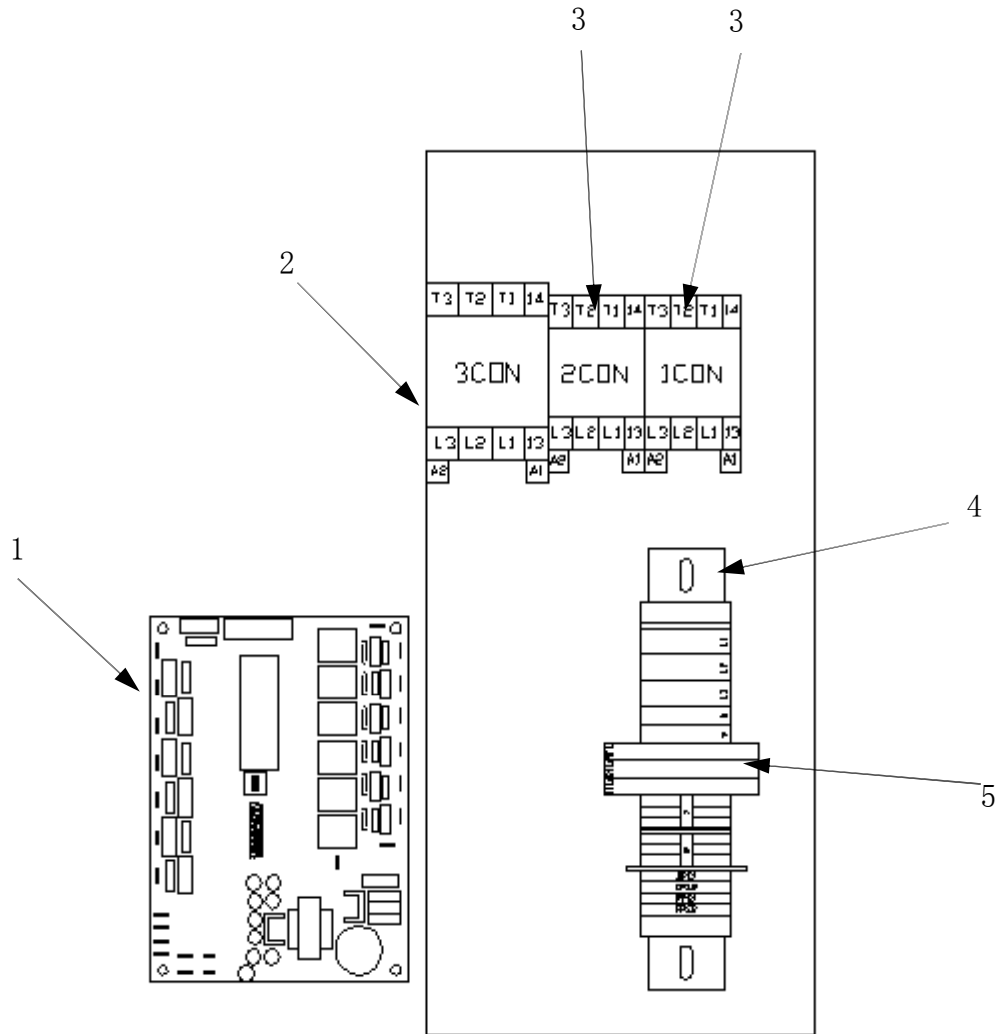


---

## WATER INLET AND BOOSTER (OPEN BOOSTER)

	<b>PART NO.</b>	<b>NAME OF PART</b>	<b>AMT.</b>
1	743314-2	Booster Heater (220/380V 6kW)	1
	743278	Tank Heater (220/380V 2kW)	1
2	743312	Gasket-Heater	3
3	7153087	Open Booster	1
4	7153089	Inlet Hose	1
5	743315	Clamp-25mm	6
6	324207-1	Fill Valve	1
7	7153013-3	Vent Hose	1
8	7153088	Vent Tube	1
9	324088-1	Fill Hose	1
10	7153013-2X	Hose-Rinse Pump Outlet	1
11	7153013-1X	Hose	1
12	00-775854-001	Rinse Pump (50Hz)	1
	00-775854-002	Rinse Pump (60Hz)	
13	743387-1X	Rinse Pump Braket	1
14	00-226568-002	Capacitor	1
15	743338	Pipe Plug 1/8"	2
16	SCH-M10-10	Bolt M10x10	1
17	743311	Washer-Combination M10	1
18	743313	Cover-Heater Terminal	2
19	743337	Clamp-6	1
20	SCH-M4-10	Bolt M4x10	2
21	WL-M4	Lock Washer	2
22	WS-M4	Washer	2
23	743318	Cover-Heater Terminal(OPTION)	1
24	NS-M8	Nut M8	20
25	WS-M8	Washer M8	34
26	WL-M8	Lock Washer M8	24

# CONTROL BOX



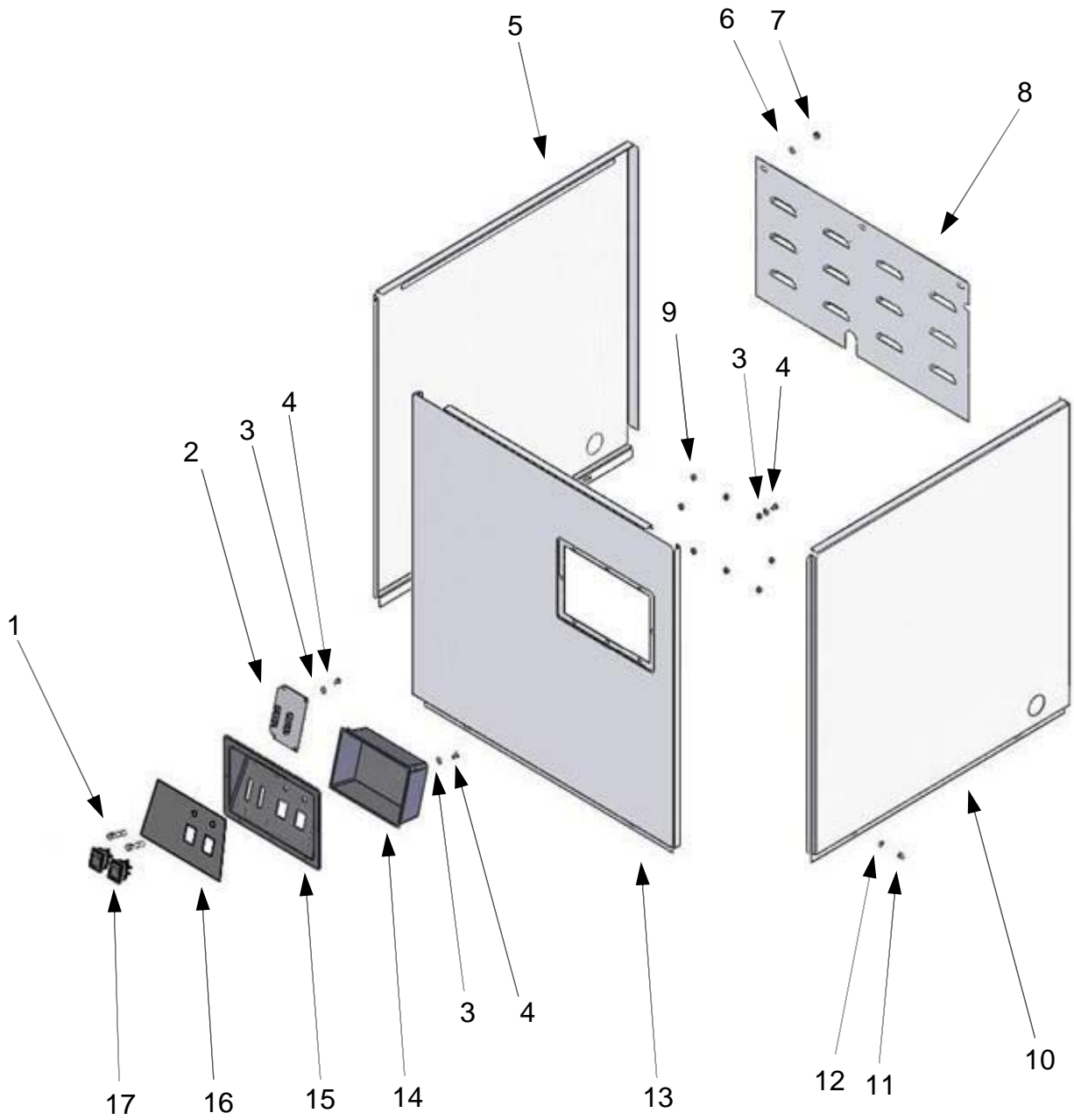
---

## CONTROL BOX

	<b>PART NO.</b>	<b>NAME OF PART</b>	<b>AMT.</b>
1	743448-2	Control Board	1
2	743401	Contactor32 (For 3853, 2263, 2260)	1
3	743401-1	Contactor32 (For 2053,2063)	1
4	743402	Contactor09 (For 3853, 2263, 2260)	2
5	743402-1	Contactor09 (For 2053, 2063)	2
6	743416-1	Terminal assy(including pares 5-13)(three-phase five-wire system)	1
7	743416-2	Terminal assy(including pares 5-13)(three-phase four-wire system)	1
8	743407	Fuse 5A 5x20	3



# ENCLOSURE PANELS



---

## ENCLOSURE PANELS

	<b>PART NO.</b>	<b>NAME OF PART</b>	<b>AMT.</b>
1	743432	Indicator Lights	2
2	743379-1	Thermometer	1
3	WS-M4	Washer M4	40
4	SDT-M4-12	Bolt-Self Screw M4x12	12
5	743259-1	Panel -Left	1
6	WS-M6	Washer M6	26
7	NS-M6	Nut M6	20
8	7153036X	Panel-Rear	1
9	743426-4	Washer-Control Panel	8
10	743259	Panel- Right	1
11	NC-M5	Nut M5 Crown	6
12	WS-M5	Washer M5	8
13	743253	Panel-Front	1
14	743426-2	Control Panel-Interior Cover	1
15	743426-1	Control Panel-Exterior Face	1
16	7153057	Faceplate	1
17	743429	Switch	2