

WAREWASHING



Hood-type Dishwasher

ECOMAX 602/612

Spare Parts Catalogue

EN

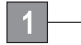

Valid for the following models:**ECOMAX 602/612:**

Ecomax 602-10A	Ecomax 602-90A
Ecomax 602-11A	Ecomax 602S-12A
Ecomax 602-12A	Ecomax 612-12A
Ecomax 602-13A	Ecomax 612-40A
Ecomax 602-14A	

Note:

For other voltages or electric components, refer to the wiring diagram shipped with the machine. Observe wiring diagram.

Legende

-  Recommended spare parts
-  Wearing parts

Publisher

HOBART GmbH
ecomax by HBOART
Robert-Bosch-Str. 17
77656 Offenburg

Tel +49(0)781.600-0
Fax +49(0)781.600-23 19

E-Mail: info@hobart.de
Internet: www.hobart.de

Product disclaimer

Installations and repairs carried out by non-authorized technicians or using non-genuine spare parts, and any technical alterations to the machine not approved by the manufacturer will invalidate the manufacturer's warranty and product liability.

HOBART reserves the right to make changes or improvements to its products without prior notice.

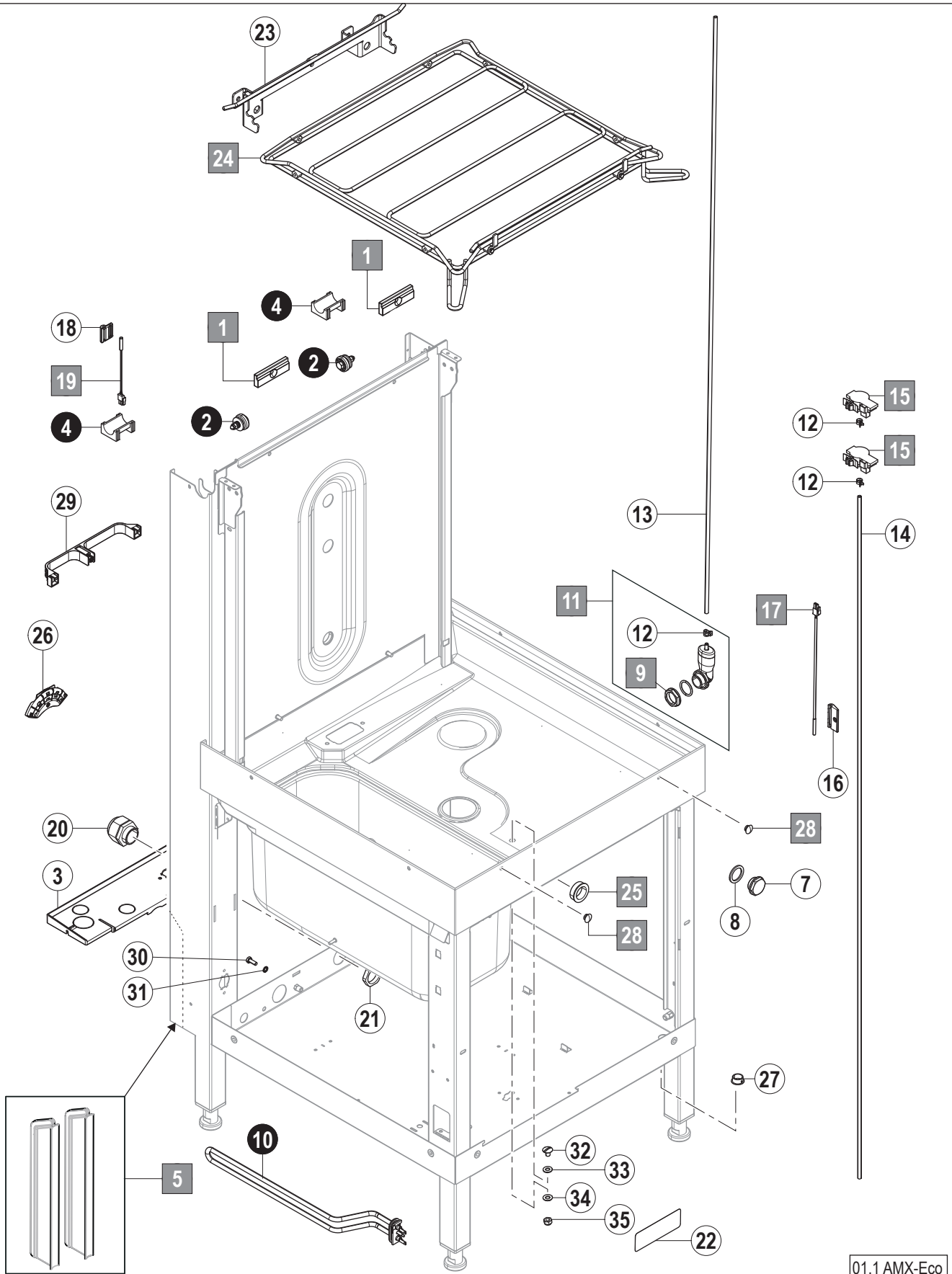
Detailed information can be obtained from your specialist dealer or from:

SERVICE Tel. 01803 45 62 58
Internet: www.hobart.de
E-Mail: info@hobart.de (within Germany)

© HOBART GmbH, Offenburg 2014

Page	Chapter	Contents
4	1.	Base frame
6	2.	Hood
8	3.	Hoodlift handle
10	4.	Covering
12	5.	Filling without Softener
14	6.	Filling with Softener
16	7.	Filling pressure booster
18	8.	Drain system
20	9.	Strainer system
22	10.	Wash system
24	11.	Wash pump 0,4 kW
26	12.	Wash pump 0,7 kW
28	13.	Hot water tank 6,15 kW
30	14.	Hot water tank 12,3 kW
32	15.	Pressure booster
34	16.	Switch box
36	17.	Dosage

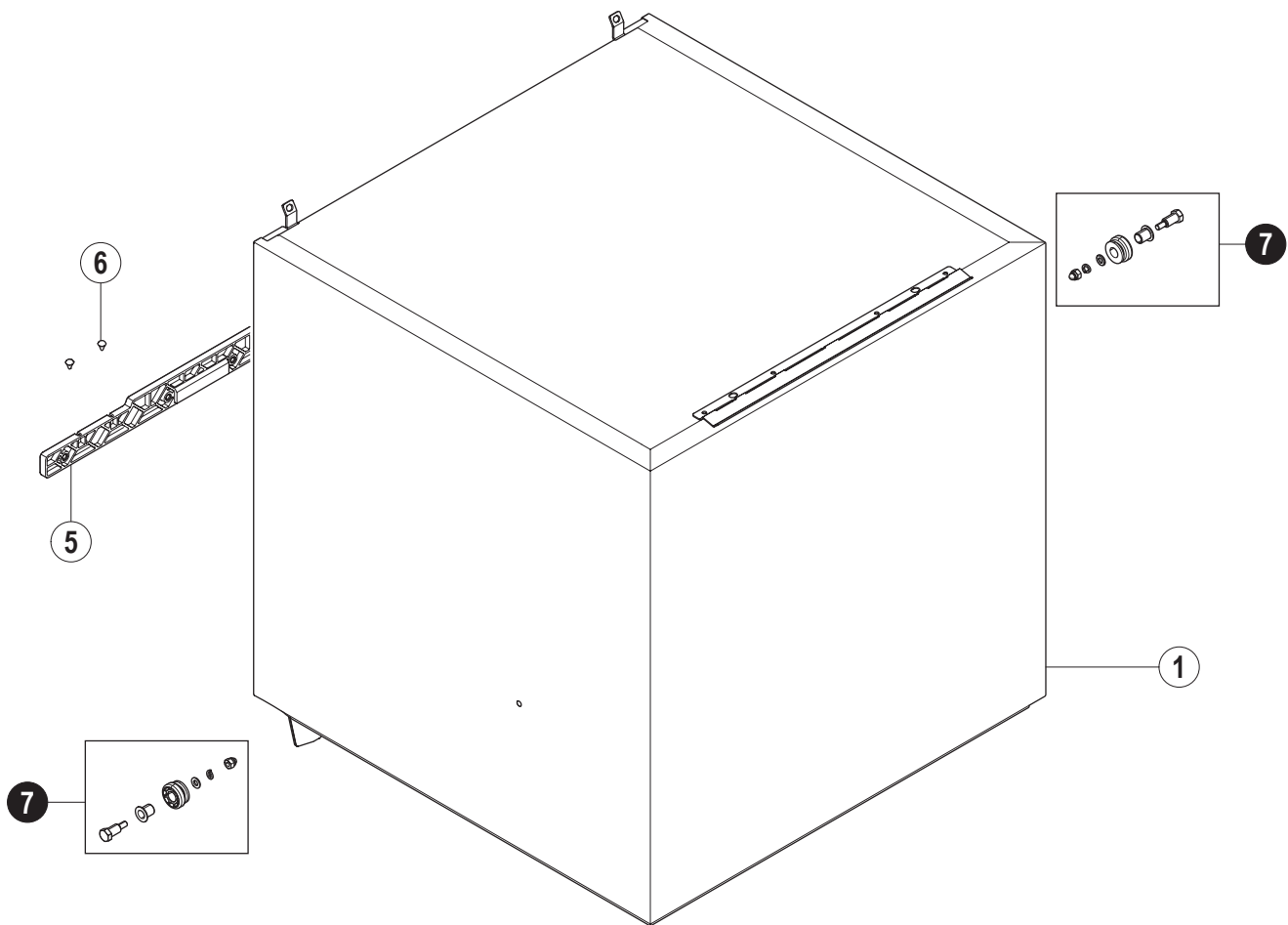
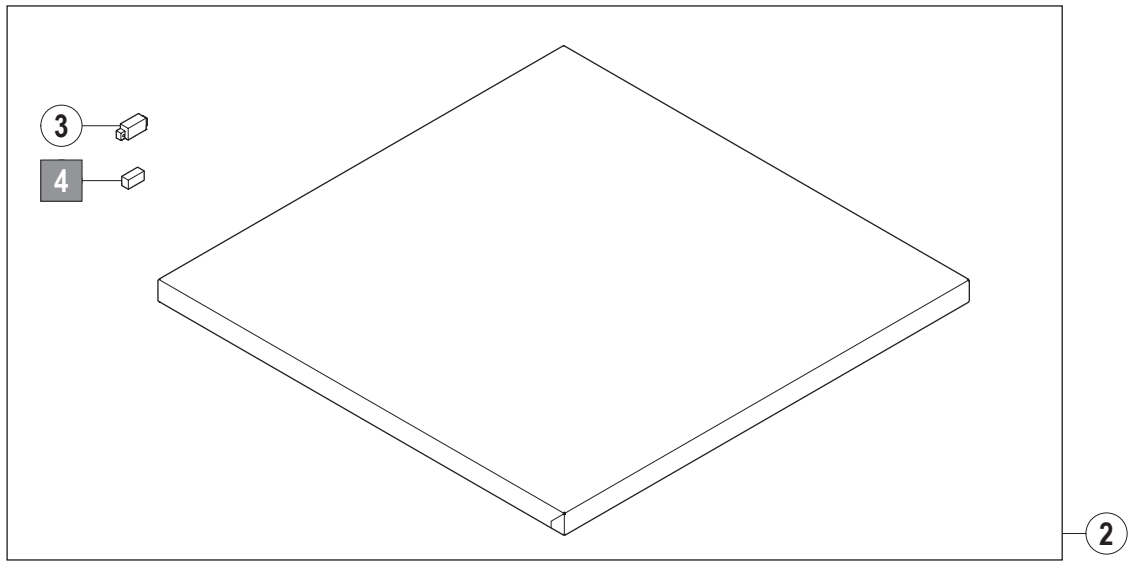
1. Base frame



01.1 AMX-Eco

Pos. no.	Part no.	Part name	Remarks
1	01-246900-001	Distance block	
2	01-515688-001	Roller compl.	
3	01-515789-001	Cover back side	
4	00-898024-001	Bearing	
5	00-323801-001	Drain hose	
6	00-324510-341	Hose clip	
7	01-297500-001	Cover	
8	00-775305-001	Sealing	
9	00-324384-000	Nut	
10	00-883423-001	Tank heater	
11	01-515334-001	Air chamber, replacement kit	incl. Pos. 9 + 12
12	01-246214-003	Hose clip	
13	00-324402-022	Hose	
14	00-324402-023	Hose	
15	00-775866-202	Pressure transmitter	
16	01-297719-001	Bracket temperature sensor	
17	00-775612-001	Temperature sensor	
18	01-515259-001	Bracket gas reed switch	
19	01-515276-001	Reed switchreed switch	
20	00-695661-005	Cable fitting	
21	00-695664-005	Counter nut	
22	01-240359-001	Label warning notice	
23	01-539589-001	Bracket rack frame	
24	01-539519-003	Rack frame	
25	00-886756-002	Insulation bushing	
26	01-515897-001	Hose guidance rail	
27	00-895609-001	Cover cap	
28	00-886859-001	Plug	
29	01-539512-001	Hose guidance rail	
30	00-602570-000	Screw	
31	00-605283-001	Fan washer	
32	00-603654-000	Screw	
33	00-172986-010	Sealing	
34	00-602287-000	Washer	
35	00-602503-000	Nut	
36	01-539610-001	Spare parts kit cover U-Profil	
37	00-883994-001	Splash guard	

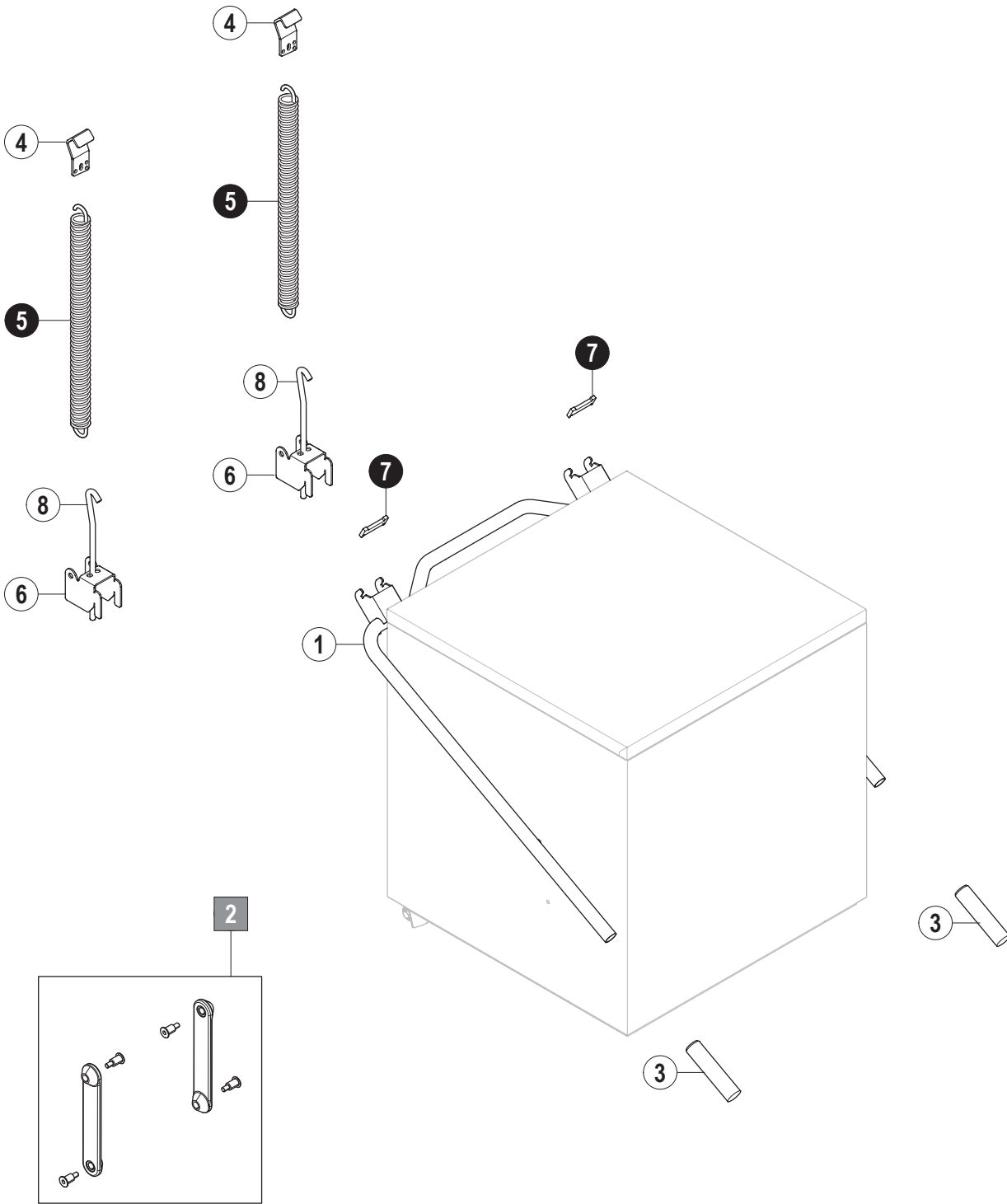
2. Hood



01.2 AMX-Eco

Pos. no.	Part no.	Part name	Remarks
1	01-515530-003	Hood without insulation	
2	01-515915-001	Cover Hood	incl. Pos. 3 + 4
3	00-883746-001	Magnet retainer	
4	00-775860-001	Magnet	
5	01-297717-001	Block	
6	00-228828-000	Stopper	
7	01-515688-001	Roller compl.	

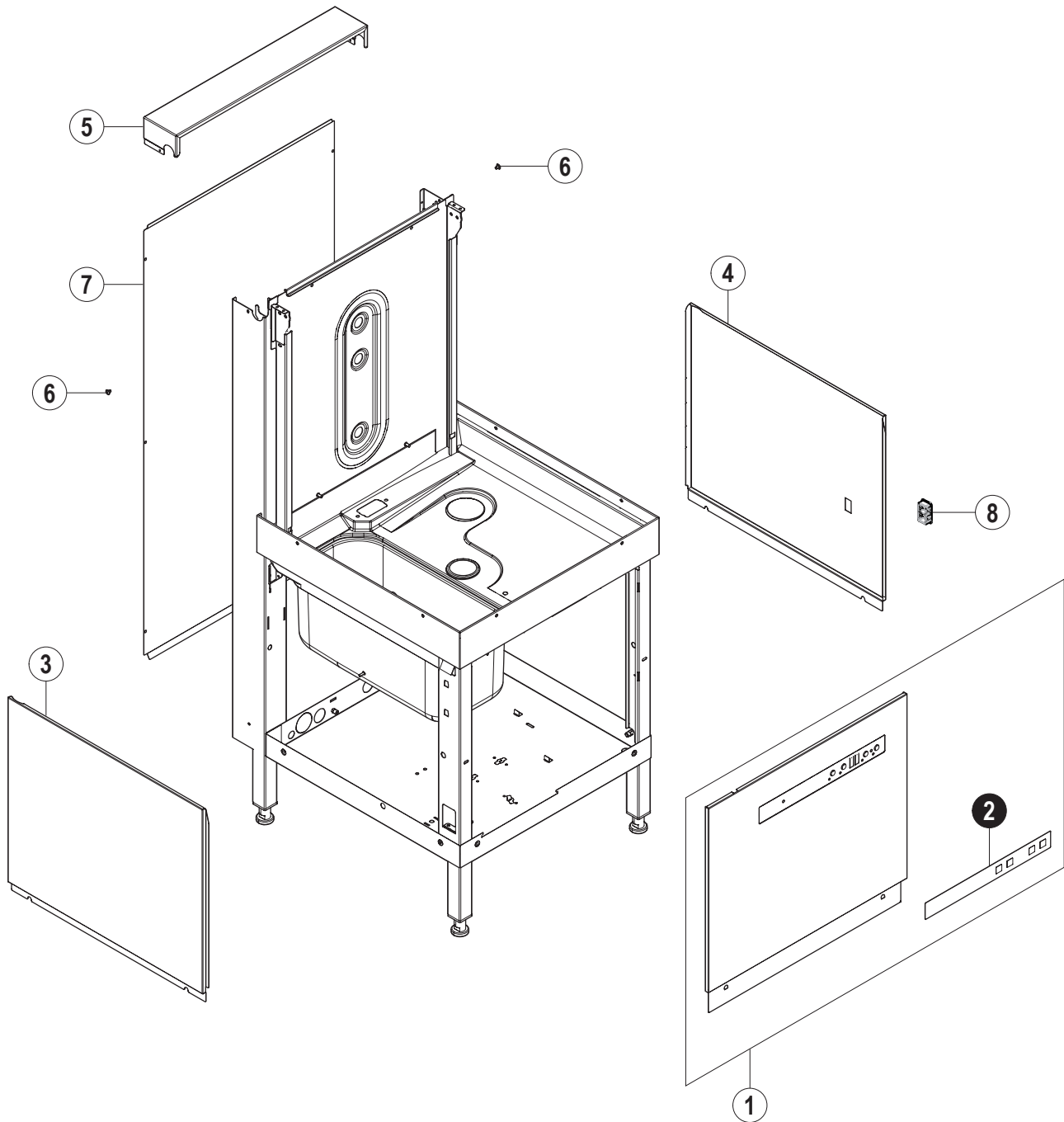
3. Hoodlift handle



01.3 AMX-Eco

Pos. no.	Part no.	Part name	Remarks
1	01-515940-001	Hoodlift handle	
2	00-883947-001	Spare parts kit hood link	
3	00-226640-000	Handle	
4	00-883631-001	Spring bracket	
5	00-898028-001	Spring	
6	01-539539-001	Mounting bracket spring	
7	00-883683-002	Spring retaining bolt	
8	00-883931-001	Mounting bracket	

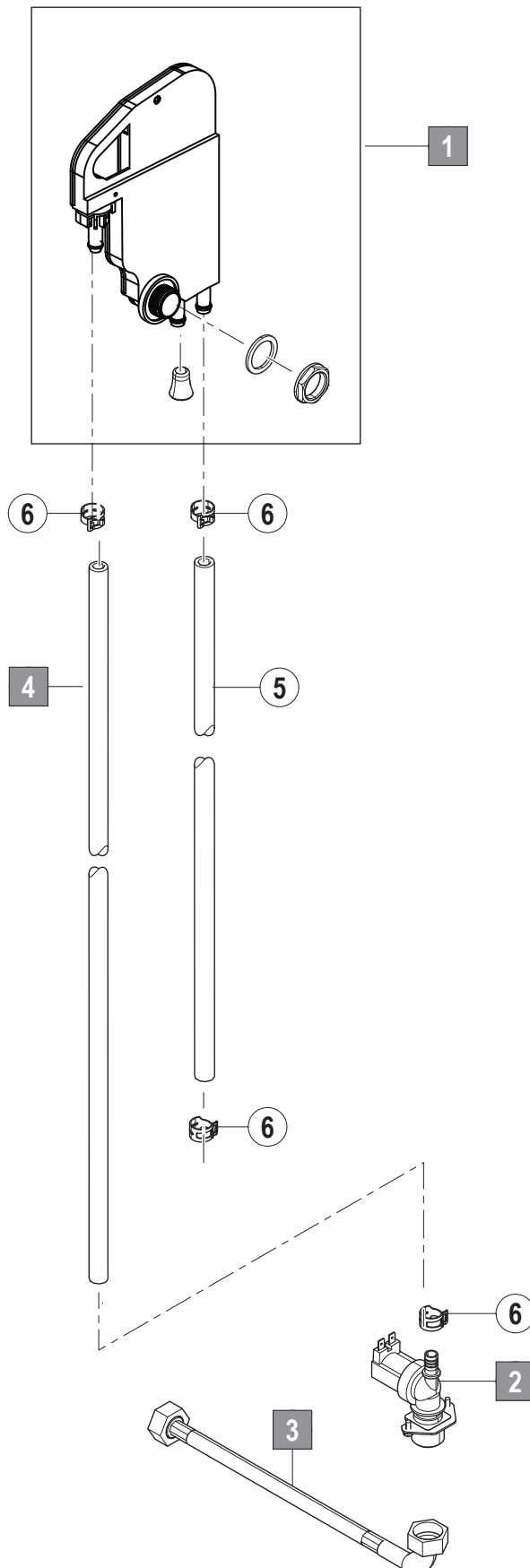
4. Covering



01.4 AMX-Eco

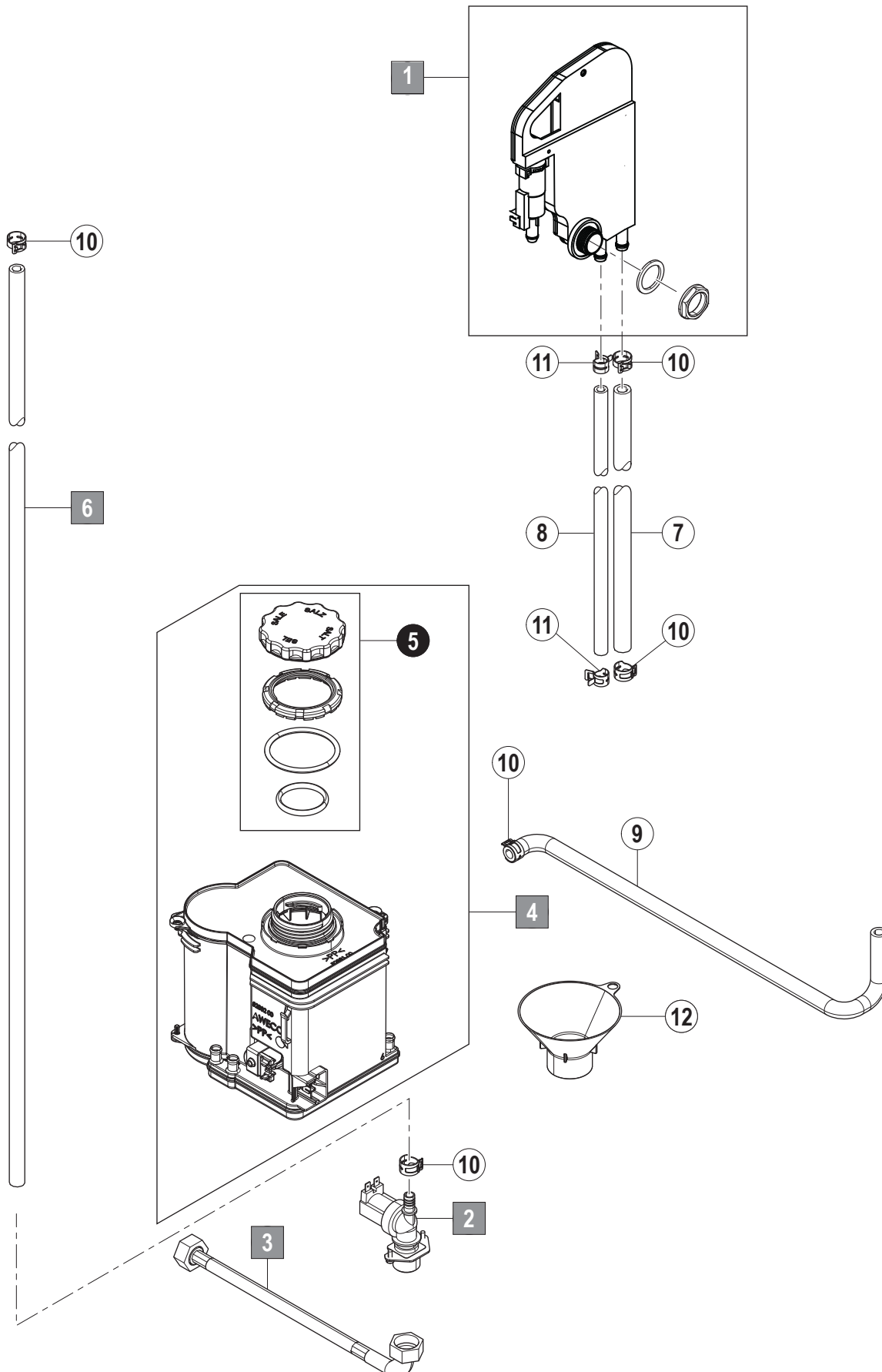
Pos. no.	Part no.	Part name	Remarks
1	01-515955-001	Covering front side	incl. Pos. 2
2	01-297749-001	Ecomax film keypad	
3	01-515959-001	Covering left	
4	01-515925-001	Covering right	
5	01-515947-001	Back cover	
6	00-883731-001	Screw	
7	01-515948-001	Back covering	Optional only
8	01-539605-001	Cover	

5. Filling without Softener



Pos. no.	Part no.	Part name	Remarks
1	01-515331-001	Spare parts kit waterbreak	
2	00-883658-001	Filling valve	
3	01-240316-003	Water supply hose	
	01-510262-003	Water supply hose	Australia only
4	01-246371-015	Hose	
5	01-297802-008	Hose	
6	01-246214-002	Hose clip	

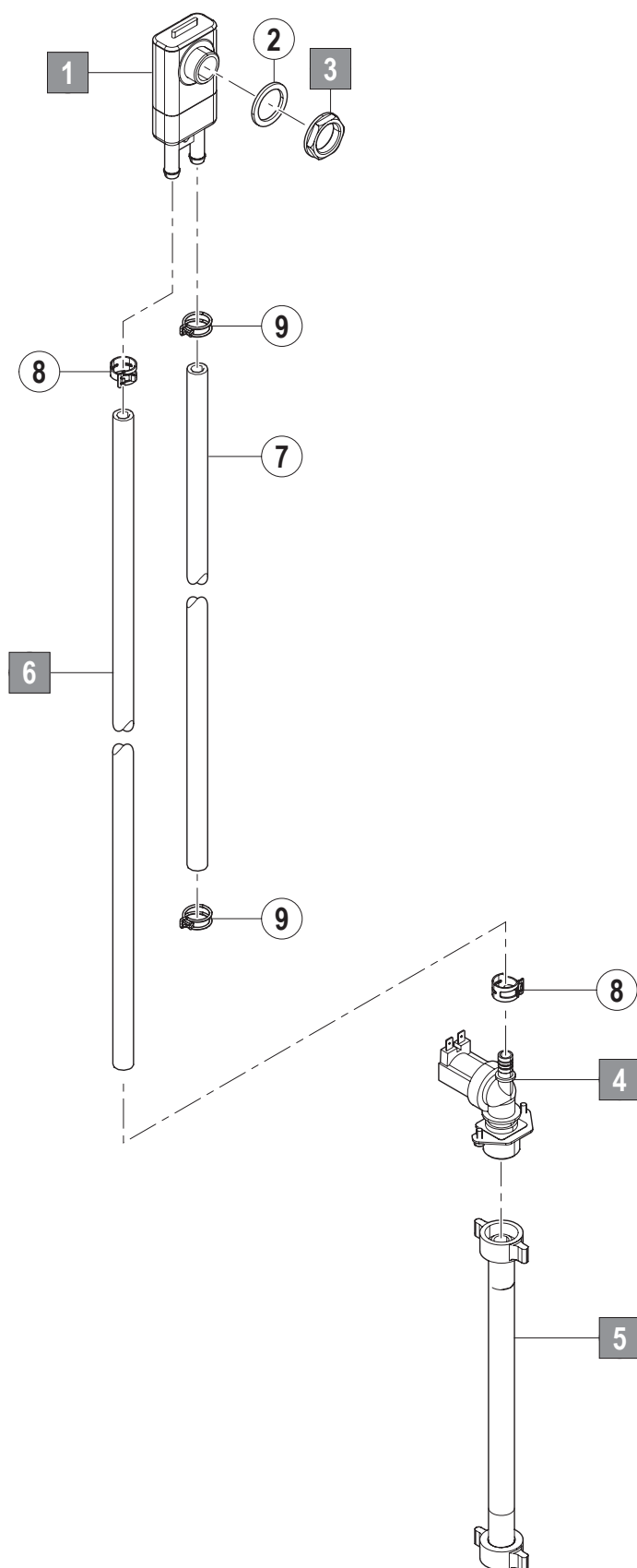
6. Filling with Softener



02.2 AMX

Pos. no.	Part no.	Part name	Remarks
1	01-515331-002	Spare parts kit waterbreak	
2	00-883658-001	Filling valve	
3	01-240316-003	Water supply hose	
4	01-515030-001	Softener	incl. Pos. 5
5	01-515030-050	Spare parts kit softener cover lid	
6	01-246371-015	Hose	
7	01-297802-008	Hose	
8	00-775611-010	Hose	
9	01-515867-001	Hose	
10	01-246214-002	Hose clip	
11	01-246214-008	Hose clip	
12	01-515277-001	Funnel	

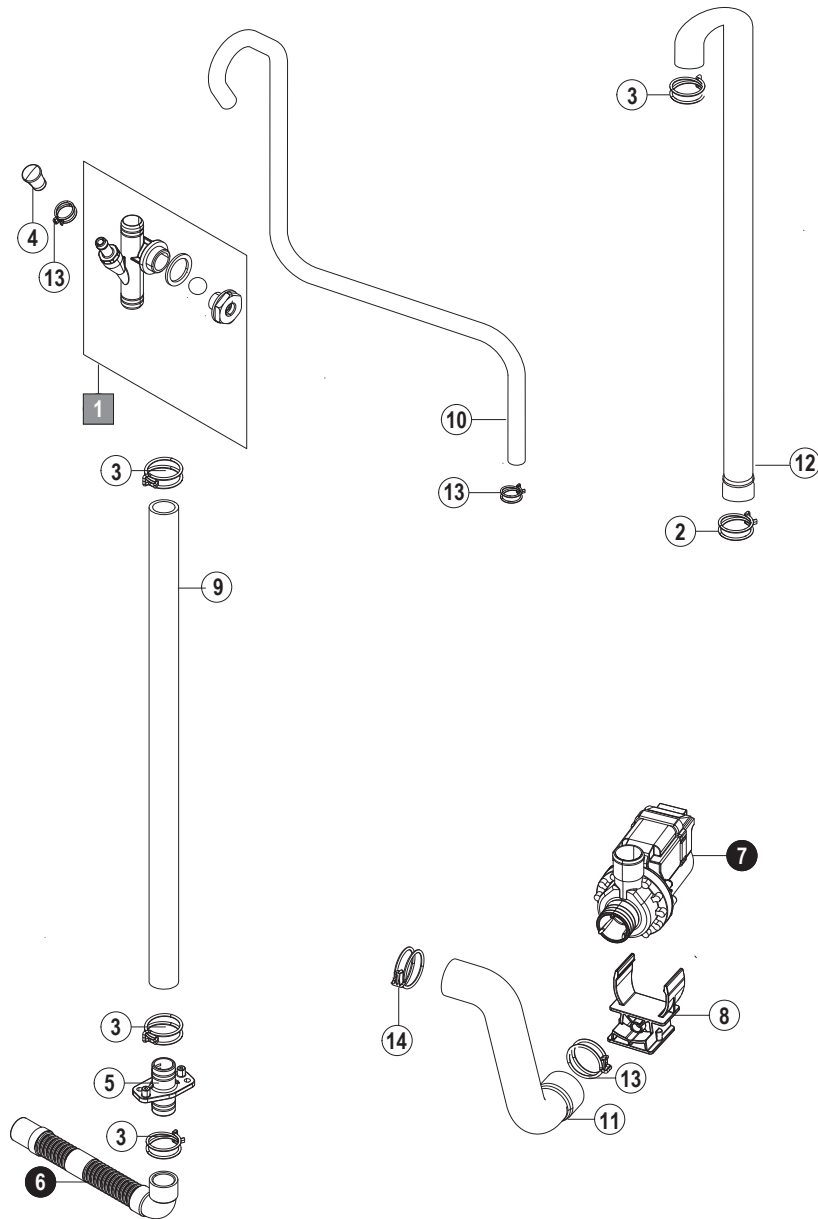
7. Filling pressure booster



02.3 AMX-Eco

Pos. no.	Part no.	Part name	Remarks
1	00-775759-002	Double shuttle valve	
2	00-775305-001	Sealing	
3	00-324384-000	Nut	
4	00-883658-002	Filling valve	
5	00-324088-002	Water supply hose	
6	01-246371-015	Hose	
7	01-297802-008	Hose	
8	01-246214-002	Hose clip	
9	00-324510-173	Hose clip	

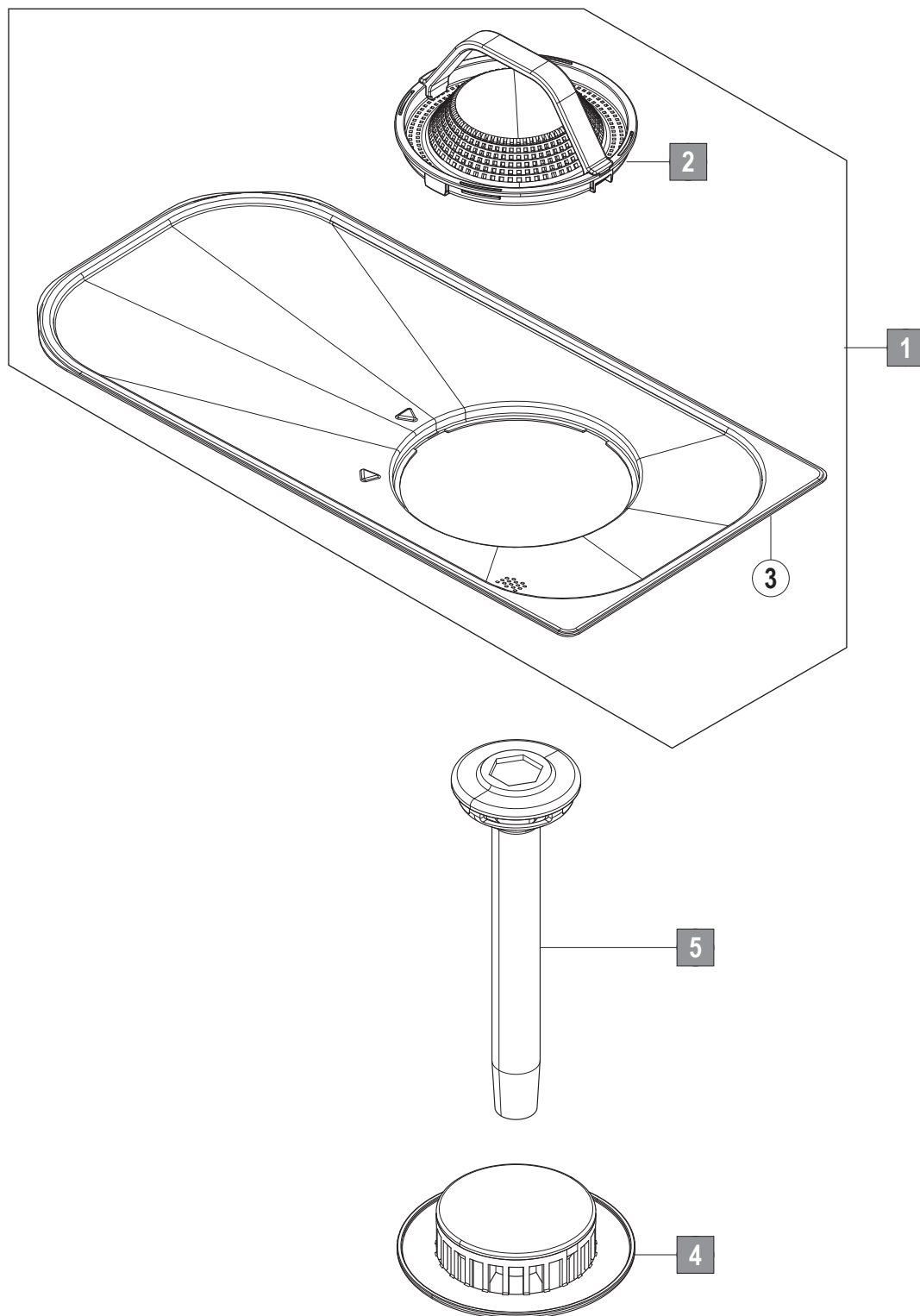
8. Drain system



03.0 AMX

Pos. no.	Part no.	Part name	Remarks
1	01-515775-001	Ventilation valve, compl.	
2	00-324510-313	Hose clip	
3	00-324510-287	Hose clip	
4	00-775531-001	Blind plug	Without softener only
5	01-240159-001	Drain connection	
6	00-883961-002	Drain hose	
7	01-297707-002	Drain pump	
8	01-515923-001	Bracket pump	
9	01-515856-001	Hose	
10	01-515868-001	Hose	With softener only
11	01-515937-001	Hose	
12	01-515935-001	Hose	
13	00-324510-429	Hose clip	
14	00-324510-388	Hose clip	

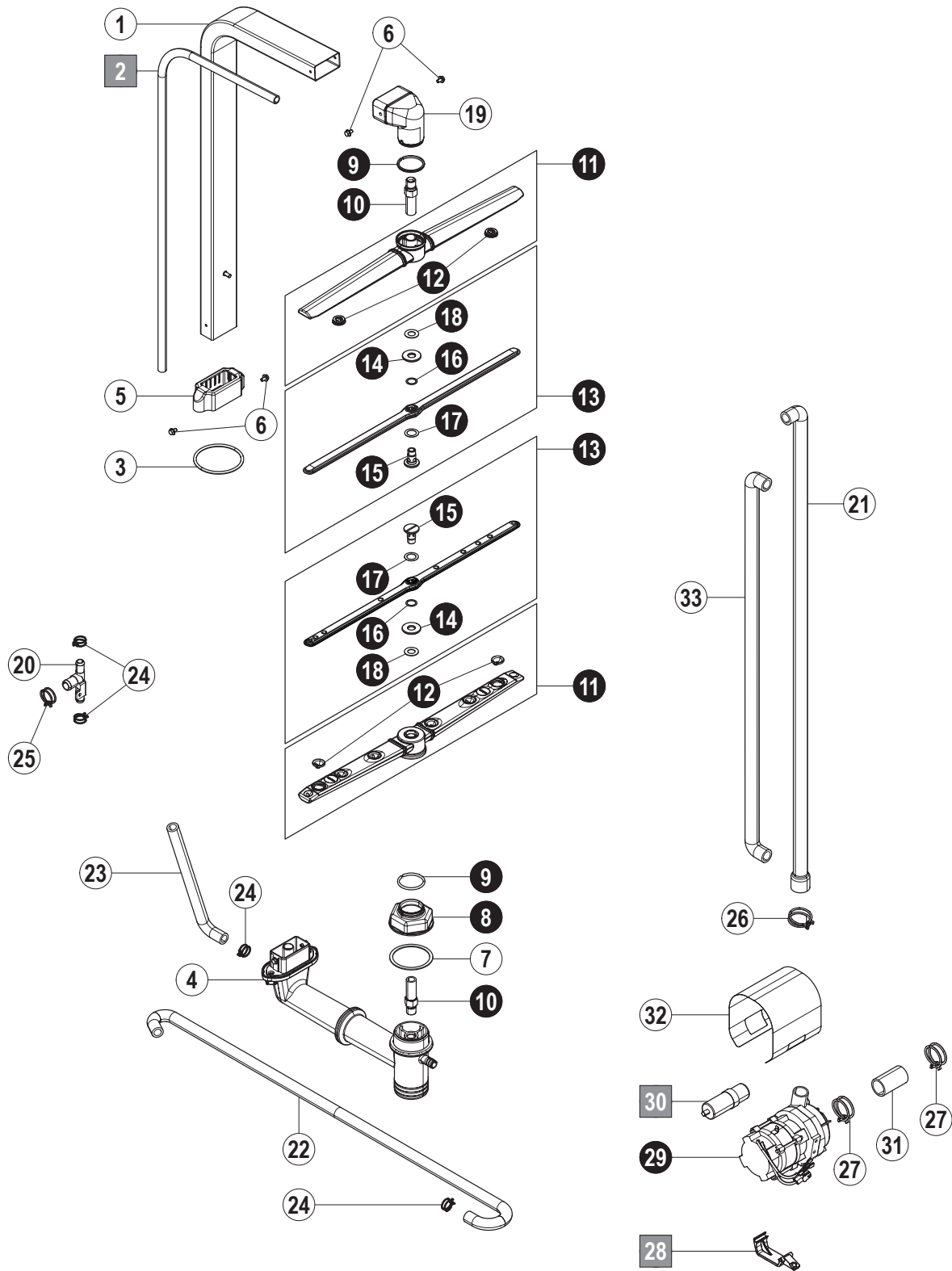
9. Strainer system



04.2 AMX

Pos. no.	Part no.	Part name	Remarks
1	01-539544-001	Strainer system compl.	incl. Pos. 2 + 3
2	01-539511-001	Strainer basket	
3	01-515595-001	Tank cover strainer	
4	00-883733-001	Drain strainer	without drain pump
	00-883733-002	Drain strainer	with drain pump
5	00-883737-001	Riser	with drain pump

10. Wash system

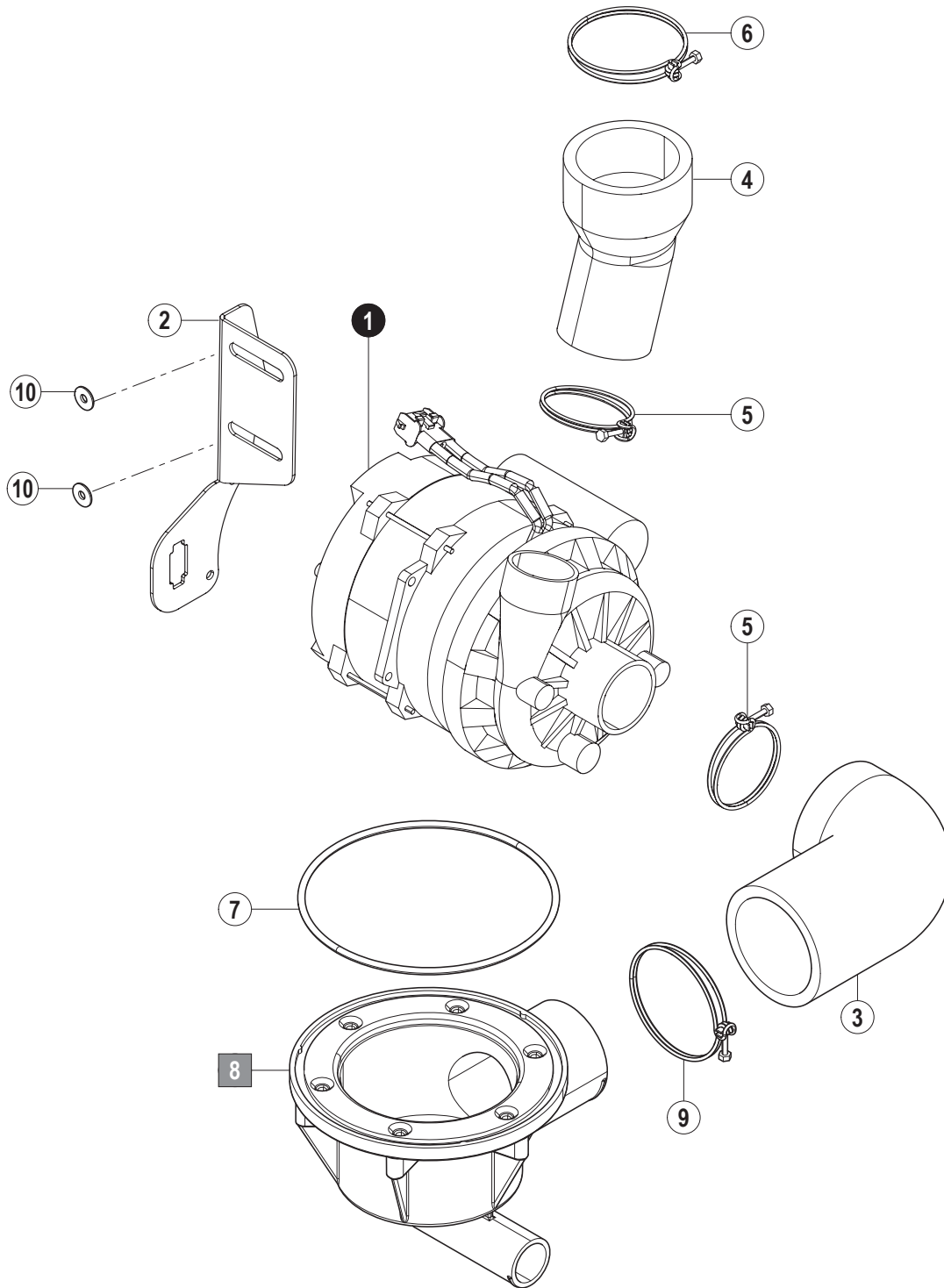


05.0 AMX-Eco

Pos. no.	Part no.	Part name	Remarks
1	01-515685-001	Manifold	
2	00-883512-001	Wash pipe	
3	00-276903-065	O-ring	
4	01-515649-001	Wash arm base, bottom	
5	01-515687-001	Cover manifold	
6	00-609782-000	Screw	
7	00-172986-035	Sealing	
8	00-883496-001	Separating nut	
9	00-775933-003	Slide ring	
10	00-883479-002	Axle wash arm	
11	01-240050-001	Wash arm, compl.	incl. Pos. 12
12	01-240028-001	Plug	4 pieces
13	01-240096-003	Rinse arm, compl.	
14	01-240205-001	Milled nut	
15	01-240095-001	Axle rinse arm	
16	00-774072-001	Teflon disc	
17	00-774072-002	Teflon disc	
18	00-774072-007	Teflon disc	
19	00-883467-001	Wash arm base, top	
20	00-324071-000	T-piece	
21	01-515846-001	Hose	
22	01-515847-001	Hose	
23	01-515848-001	Hose	
24	00-324510-173	Hose clip	
25	00-324510-242	Hose clip	
26	00-324510-327	Hose clip	
27	00-324510-341	Hose clip	
28	01-515154-001	Bracket rinse pump	
29	01-515260-001	Rinse pump	
30	00-226568-002	Condensor	
31	00-883145-012	Hose	
32	01-515763-001	Cover	
33	01-539593-001	Hose	with pressure booster only

Wash pump 0,4 kW

11. Wash pump 0,4 kW

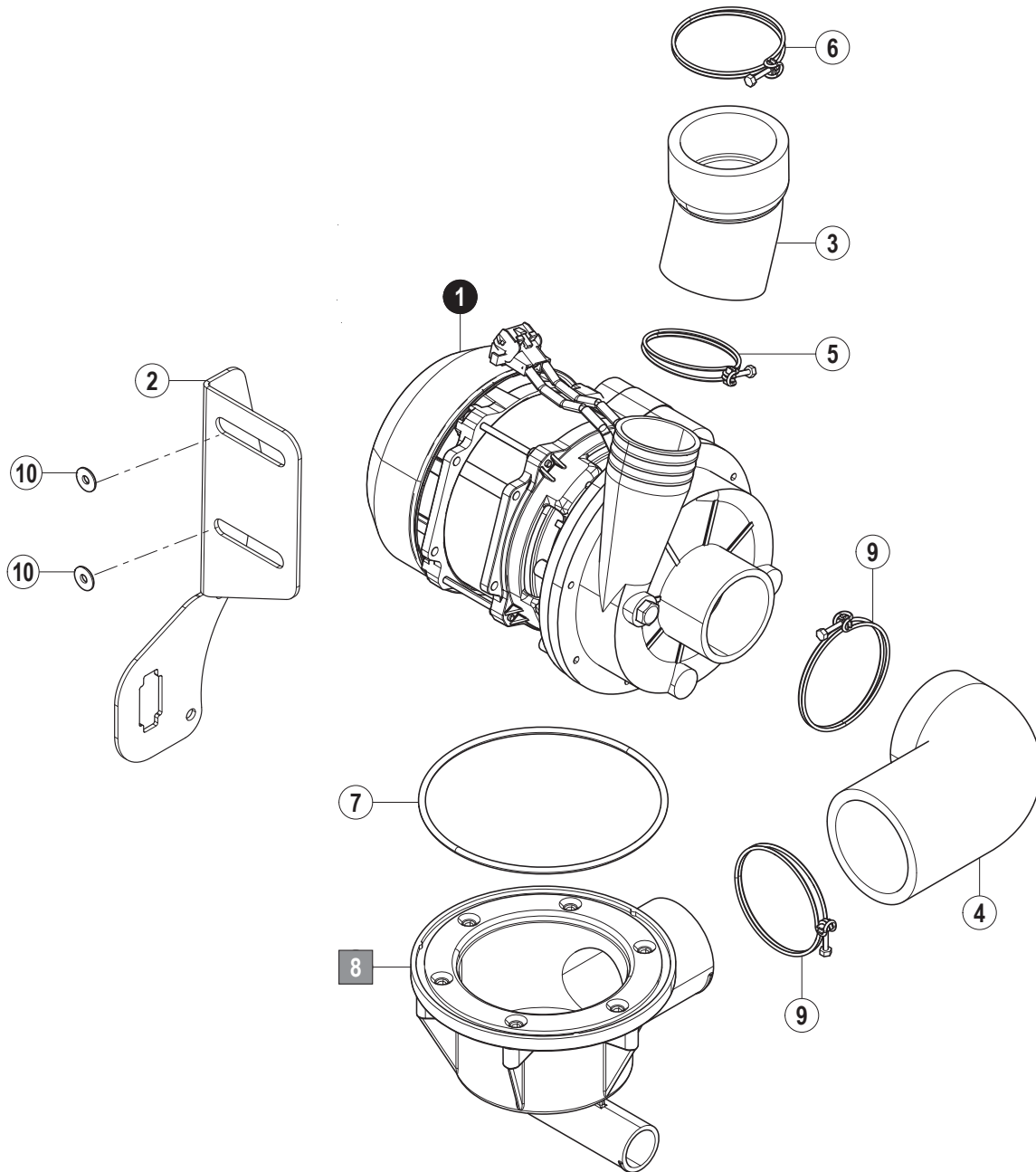


09.1 AMX-Eco

Pos. no.	Part no.	Part name	Remarks
1	01-515967-001	Wash pump	
2	01-515692-001	Bracket pump	
3	01-515910-001	Hose	
4	01-515911-001	Hose	
5	00-323945-056	Hose clip	
6	00-323945-072	Hose clip	
7	00-276903-028	O-ring	
8	00-883735-001	Tank flange	
9	00-323945-076	Hose clip	
10	00-603373-000	Washer	

Wash pump 0,7 kW

12. Wash pump 0,7 kW

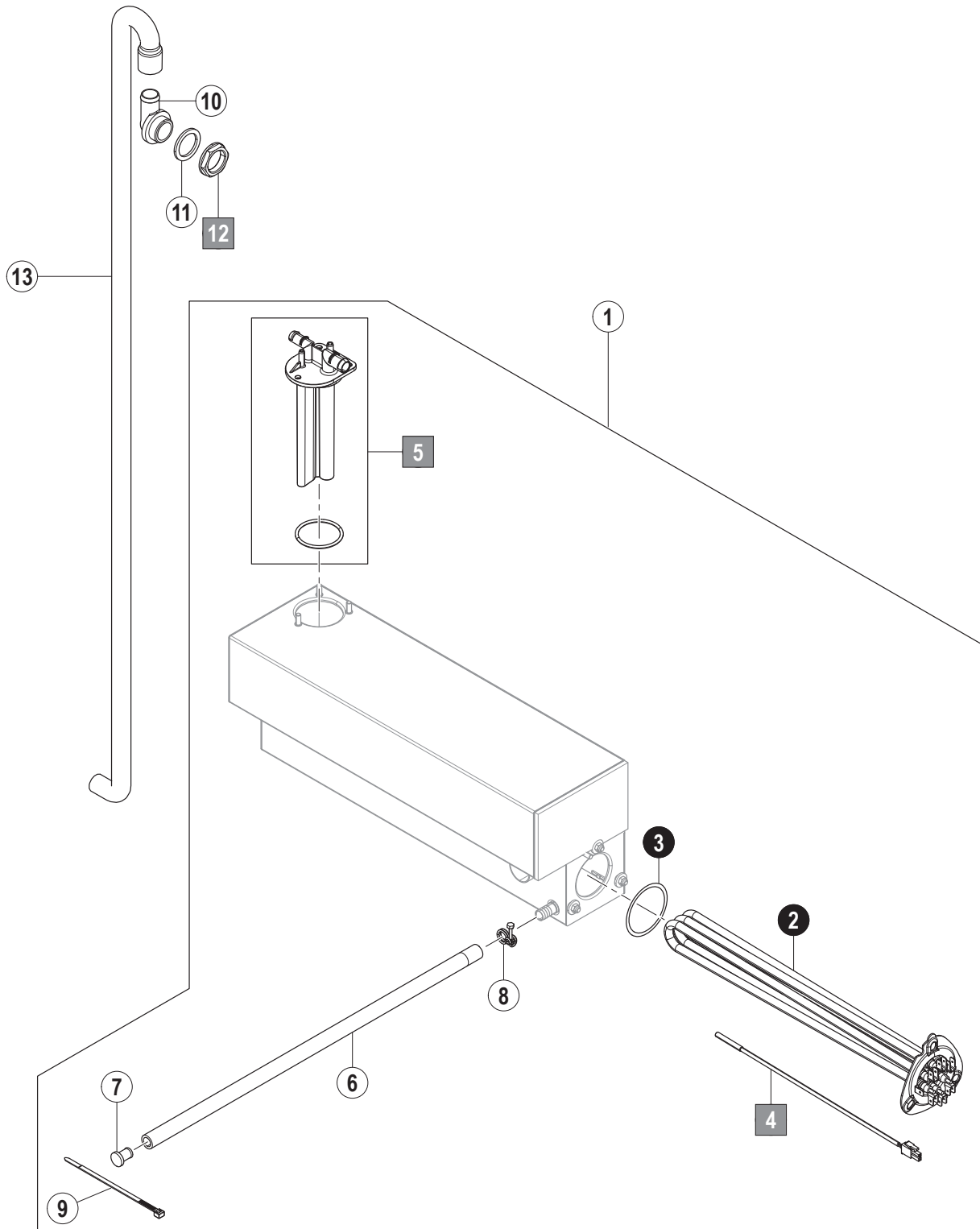


10.4 AMX

Pos. no.	Part no.	Part name	Remarks
1	01-515765-001	Wash pump	
2	01-515692-001	Bracket pump	
3	01-515798-001	Hose	
4	01-515945-001	Hose	
5	00-323945-064	Hose clip	
6	00-323945-072	Hose clip	
7	00-276903-028	O-ring	
8	00-883735-001	Tank flange	
9	00-323945-076	Hose clip	
10	00-603373-000	Washer	

Hot water tank 6,15 kW

13. Hot water tank 6,15 kW

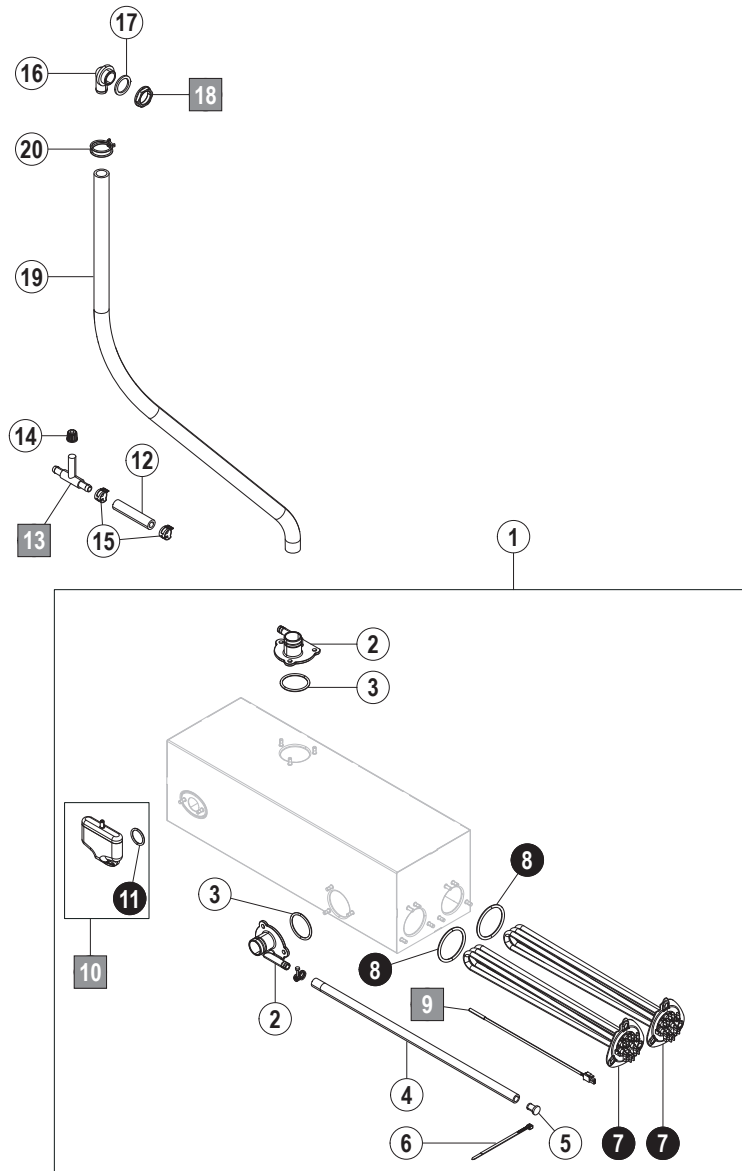


06.1 AMX

Pos. no.	Part no.	Part name	Remarks
1	01-515141-001	Hot water tank, compl.	incl. Pos. 2 - 9
2	01-515258-001	Hot water tank heater	
3	01-240135-011	O-ring	
4	00-775612-001	Temperature sensor	
5	01-515332-001	Spare parts kit hot water tank connection chamber	
6	00-774080-001	Hose	
7	00-774512-001	Plug	
8	00-323945-015	Hose clip	
9	00-165128-001	Cable tie	
10	00-324097-000	Filler piece	
11	00-775305-001	Sealing	
12	00-324384-000	Nut	
13	01-515854-001	Hose	

Hot water tank 12,3 kW

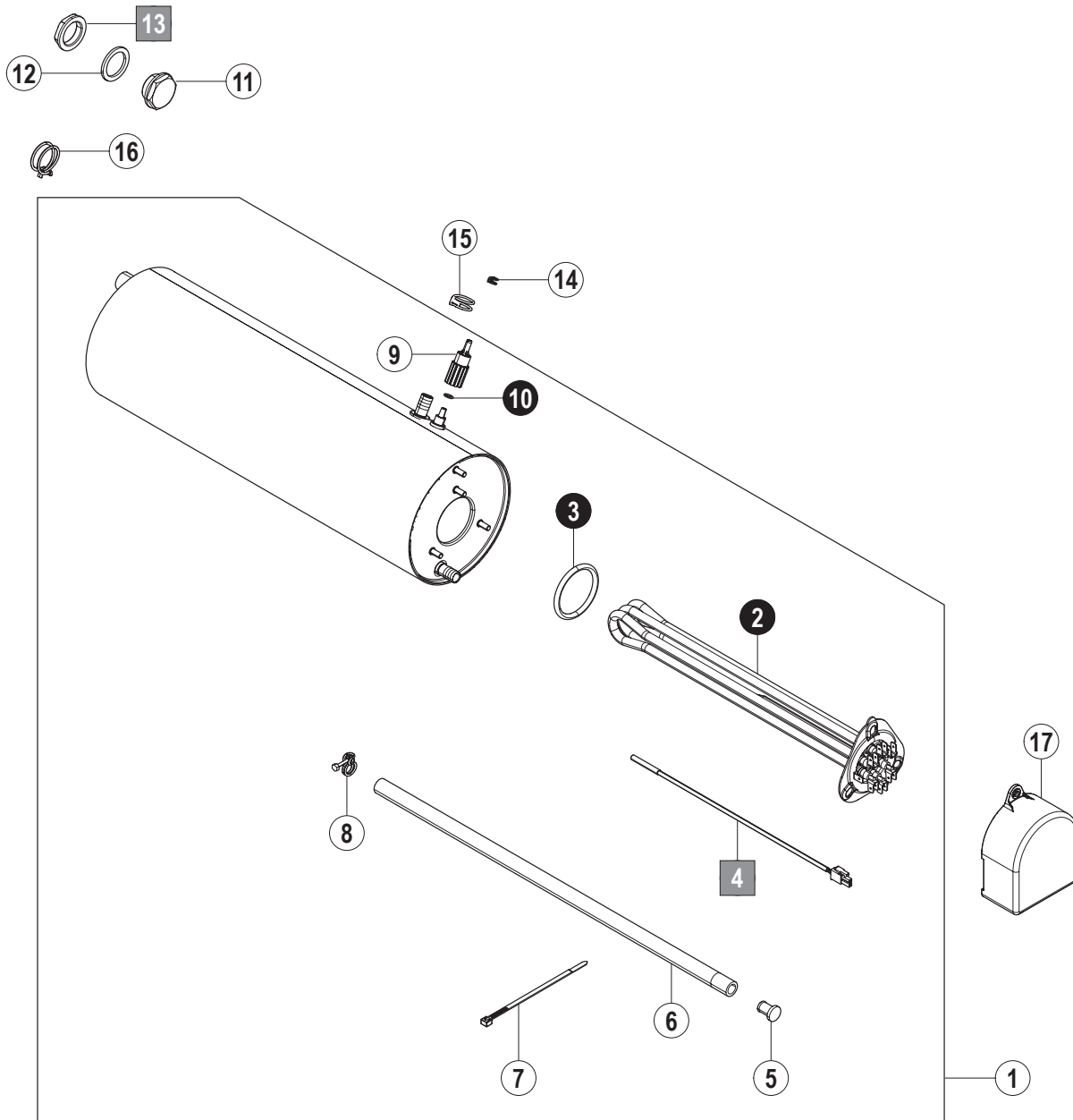
14. Hot water tank 12,3 kW



06.2 AMX

Pos. no.	Part no.	Part name	Remarks
1	01-515695-001	Hot water tank, compl.	incl. Pos. 2 - 11
2	01-515731-001	Pump intake	
3	00-276903-064	O-ring	
4	00-774080-001	Hose	
5	00-774512-001	Plug	
6	00-165128-001	Cable tie	
7	01-515258-001	Hot water tank heater	
8	01-240135-011	O-ring	
9	00-775612-001	Temperature sensor	
10	01-240372-001	Air chamber, replacement kit	incl. Pos. 11
11	00-276903-056	O-ring	
12	01-297802-002	Hose	
13	01-297803-001	T-piece dosing	
14	00-775507-001	Screw connection	
15	00-324510-173	Hose clip	
16	00-324097-000	Filler piece	
17	00-775305-001	Sealing	
18	00-324384-000	Nut	
19	01-539567-001	Hose	
20	00-324510-242	Hose clip	

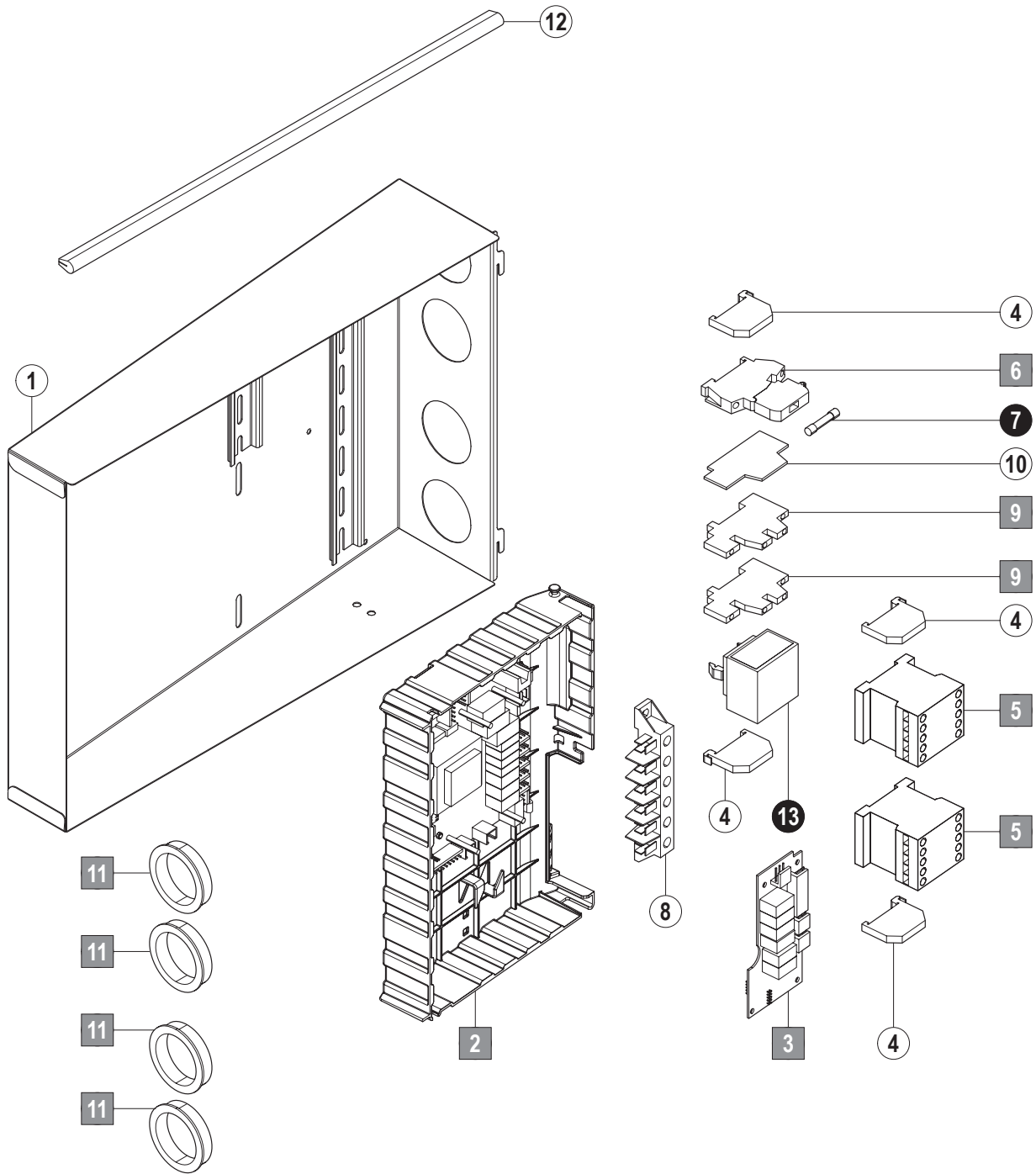
15. Pressure booster



06.3 AMX-Eco

Pos. no.	Part no.	Part name	Remarks
1	01-240792-001	Hot water tank, compl.	incl. Pos. 2 - 10
2	01-240761-001	Hot water tank heater	
3	01-240135-011	O-ring	
4	00-775612-001	Temperature sensor	
5	00-774512-001	Plug	
6	00-774080-001	Hose	
7	00-165128-001	Cable tie	
8	00-323945-015	Hose clip	
9	01-240452-001	Threaded nipple	
10	00-276903-055	O-ring	
11	01-297500-001	Cover	
12	00-775305-001	Sealing	
13	00-324384-000	Nut	
14	00-324510-068	Hose clip	
15	00-324510-173	Hose clip	
16	00-324510-242	Hose clip	
17	01-294062-001	Cover cap	

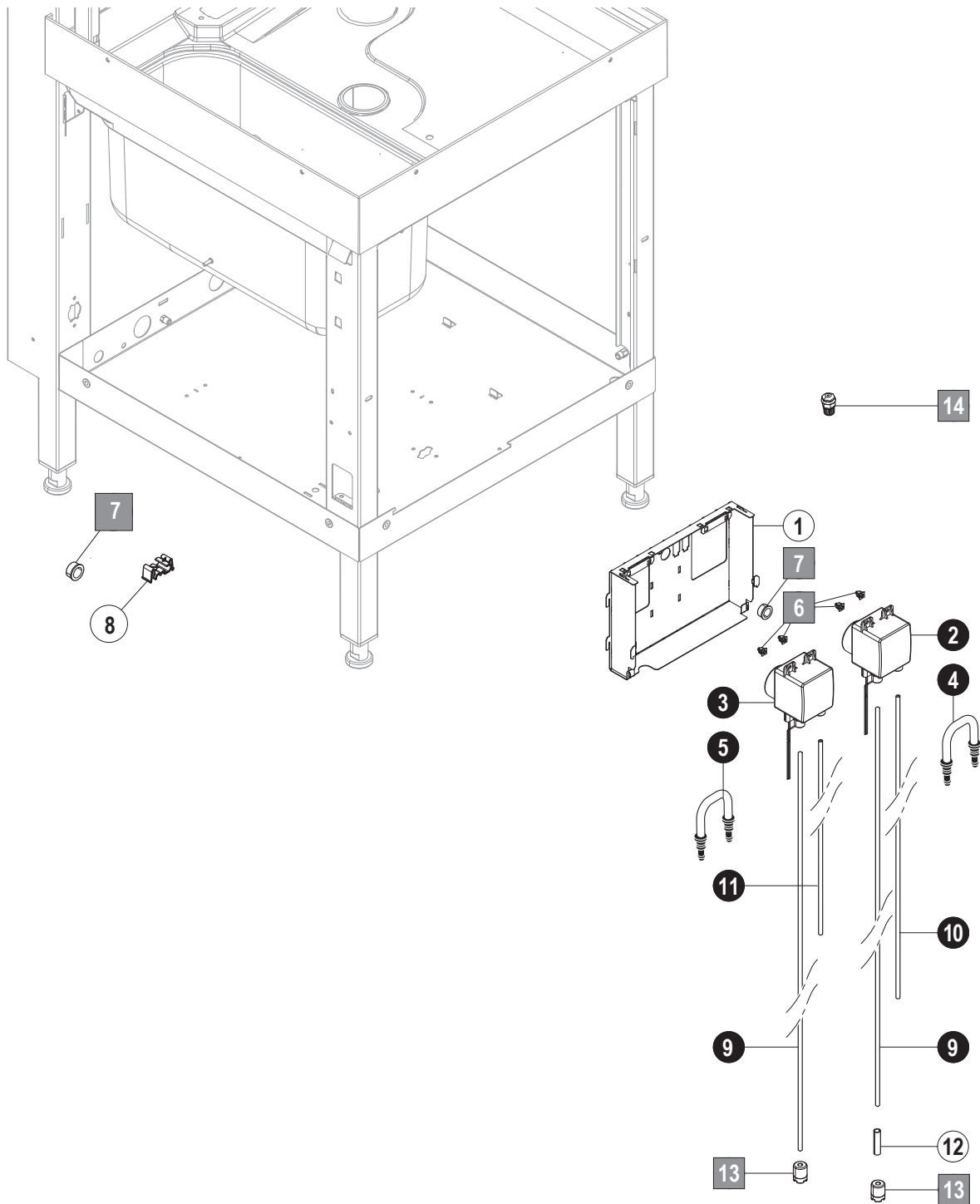
16. Switch box



07.0 AMX-Eco

Pos. no.	Part no.	Part name	Remarks
1	01-515748-001	Switch box premouted	
2	01-515407-001	Spare parts kit control system	
3	00-897546-003	Expansion board	
4	00-323981-001	End clamp	
5	00-695521-062	Contactactor	
6	00-775548-001	Fuse clip and disconnect terminal	
7	00-775570-001	Fuse	
8	00-774055-001	Connection block	
9	00-785508-001	Two-tier terminal	
10	00-785508-011	Core end plate	
11	00-886756-001	Insulation bushing	
12	00-229169-013	Rubber profile	
13	01-297822-001	EMV - Mains filter	

17. Dosage



08.0 AMX-Eco

Pos. no.	Part no.	Part name	Remarks
1	01-515898-001	Braket dosing unit	
2	01-515269-006	Dosing unit rinse aid	
3	01-515269-002	Dosing unit detergent	
4	00-775608-003	Spare parts kit mill hose rinse aid	
5	00-775608-002	Spare parts kit mill hose detergent	
6	00-775460-001	Nut	
7	00-886756-004	Insulation bushing	
8	01-515242-001	Hose guidance rail	
9	01-246301-011	Suction hose	
	01-515410-011	Suction hose	Australia only
10	01-246301-006	Pressure hose rinse aid	
	01-515410-006	Pressure hose rinse aid	Australia only
11	01-246301-016	Pressure hose detergent	
	01-515410-016	Pressure hose detergent	Australia only
12	01-246210-001	Hose shell, blue	
13	00-775239-001	Suction piece	
14	00-883676-001	Spare parts kit dosing nipple	

HOBART GmbH
ecomax by HOBART
Robert-Bosch-Str. 17
77656 Offenburg
Telefon +49(0)1803 66 29
Fax +49(0)1803 63 29
E-Mail: info@ecomaxbyhobart.de
Internet: www.ecomaxbyhobart.de

Printed in Germany