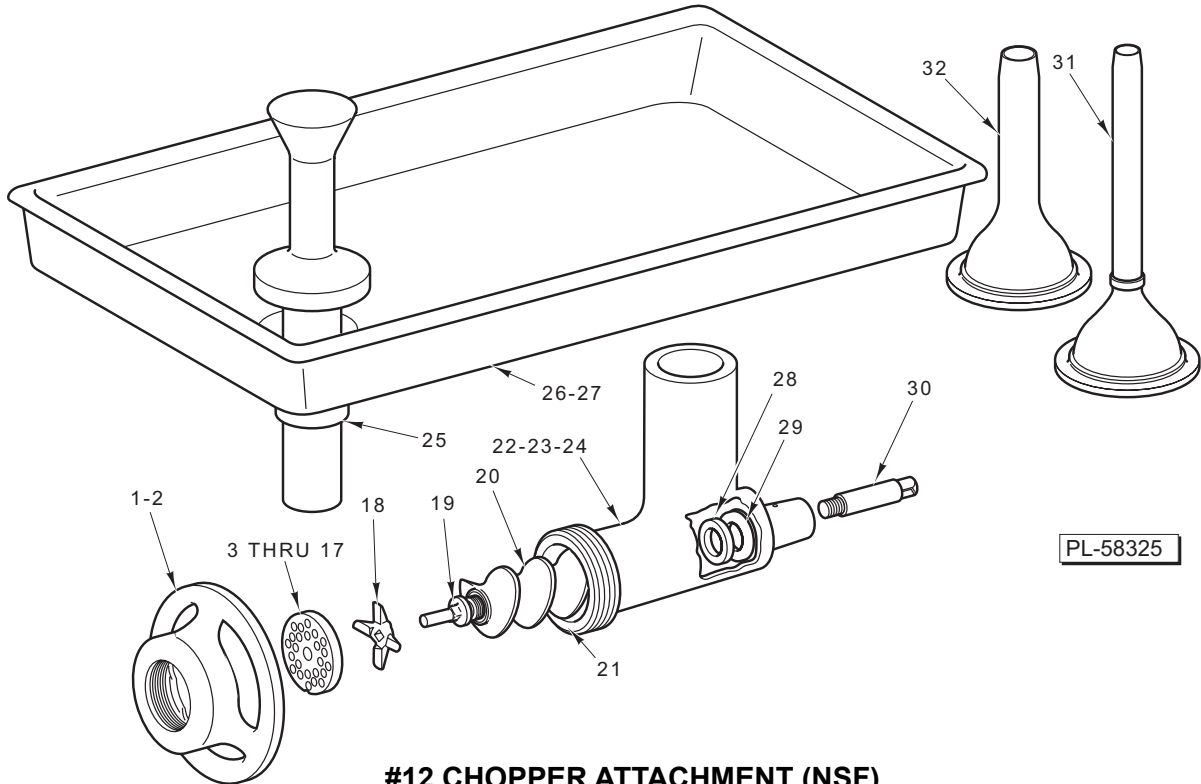




# ATTACHMENT REPLACEMENT PARTS

A product of HOBART 701 S. RIDGE AVENUE TROY, OHIO 45374-0001



## #12 CHOPPER ATTACHMENT (NSF)

(00-119860-00001 TINNED; 00-119860-00003 BRITE METAL; 00-295746 TINNED W/ROUND FEED PAN)

ILLUS.	PART NO.	NAME OF PART	AMT.
	PL-58325		
1	00-077667-00001	Ring – Adjusting (Brite Metal)	1
2	00-077667-00002	Ring – Adjusting (Tinned)	1
3	00-016423-00001	Chopper Plate (1/8 In. Dia. Holes) (Carbon Steel)	1
4	00-016424-00001	Chopper Plate (3/16 In. Dia. Holes) (Carbon Steel)	1
5	00-016425-00001	Chopper Plate (1/4 In. Dia. Holes) (Carbon Steel)	1
6	00-016426-00001	Chopper Plate (3/8 In. Dia. Holes) (Carbon Steel)	1
7	00-016427-00001	Chopper Plate (1/2 In. Dia. Holes) (Carbon Steel)	1
8	00-103970-00001	Chopper Plate (5/8 In. Dia. Holes) (Carbon Steel)	1
9	00-016429-00001	Chopper Plate (1 1/16 In. Dia. Holes) (Carbon Steel)	1
10	00-019263-00001	Chopper Plate (5/64 In. Dia. Holes) (Carbon Steel)	1
11	00-016423-00002	Chopper Plate (1/8 In. Dia. Holes) (Stay Sharp)	1
12	00-016424-00002	Chopper Plate (3/16 In. Dia. Holes) (Stay Sharp)	1
13	00-016425-00002	Chopper Plate (1/4 In. Dia. Holes) (Stay Sharp)	1
14	00-016426-00002	Chopper Plate (3/8 In. Dia. Holes) (Stay Sharp)	1
15	00-016427-00002	Chopper Plate (1/2 In. Dia. Holes) (Stay Sharp)	1
16	00-103970-00002	Chopper Plate (5/8 In. Dia. Holes) (Stay Sharp)	1
17	00-016429-00002	Chopper Plate (1 1/16 In. Dia. Holes) (Stay Sharp)	1
18	00-290339	Knife – Chopper	1
19	00-015877	Stud – Plate	1
20	00-015878	Worm Assy. (Incls. Items 19, 27, & 29)	1
21	00-122999	Pin – Plate	1
22	00-119759-00001	Chopper Cylinder Assy. (Tinned) (Incls. Items 21 & 28)	1
23	00-119759-00003	Chopper Cylinder Assy. (Brite Metal) (Incls. Items 21 & 28)	1
24	00-079213	Stud – Locating	1
25	00-119922-00001	Feed Stomper	1
26	00-122555	Pan – Feed (Rectangular)	1
27	00-117901	Pan – Feed (Round) (Mixer - Food Cutter) (Not Shown)	1
28	00-003310	Washer – Worm Thrust	1
29	00-004838-00001	Washer – Cylinder Thrust	1
30	00-004284	Stud – Square Drive	1
31	00-295180	Stuffer – Sausage (Sheep Casing) (Packaged)	1
32	00-295181	Stuffer – Sausage (Hog Casing) (Packaged)	1