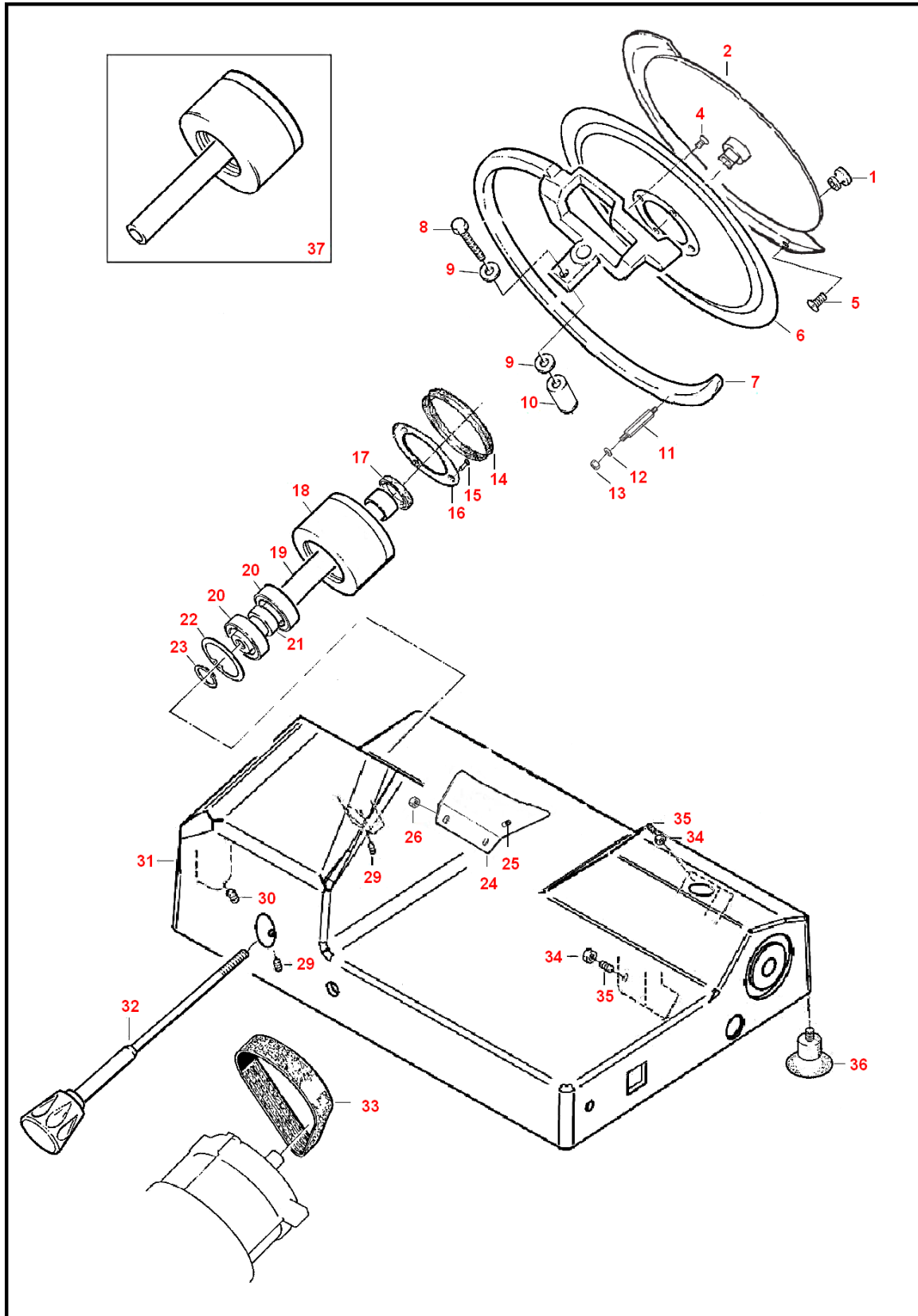


**EDGE**

**Gravity slicer**

**BASE-TRANSMISSION-BLADE  
TAB. 1**

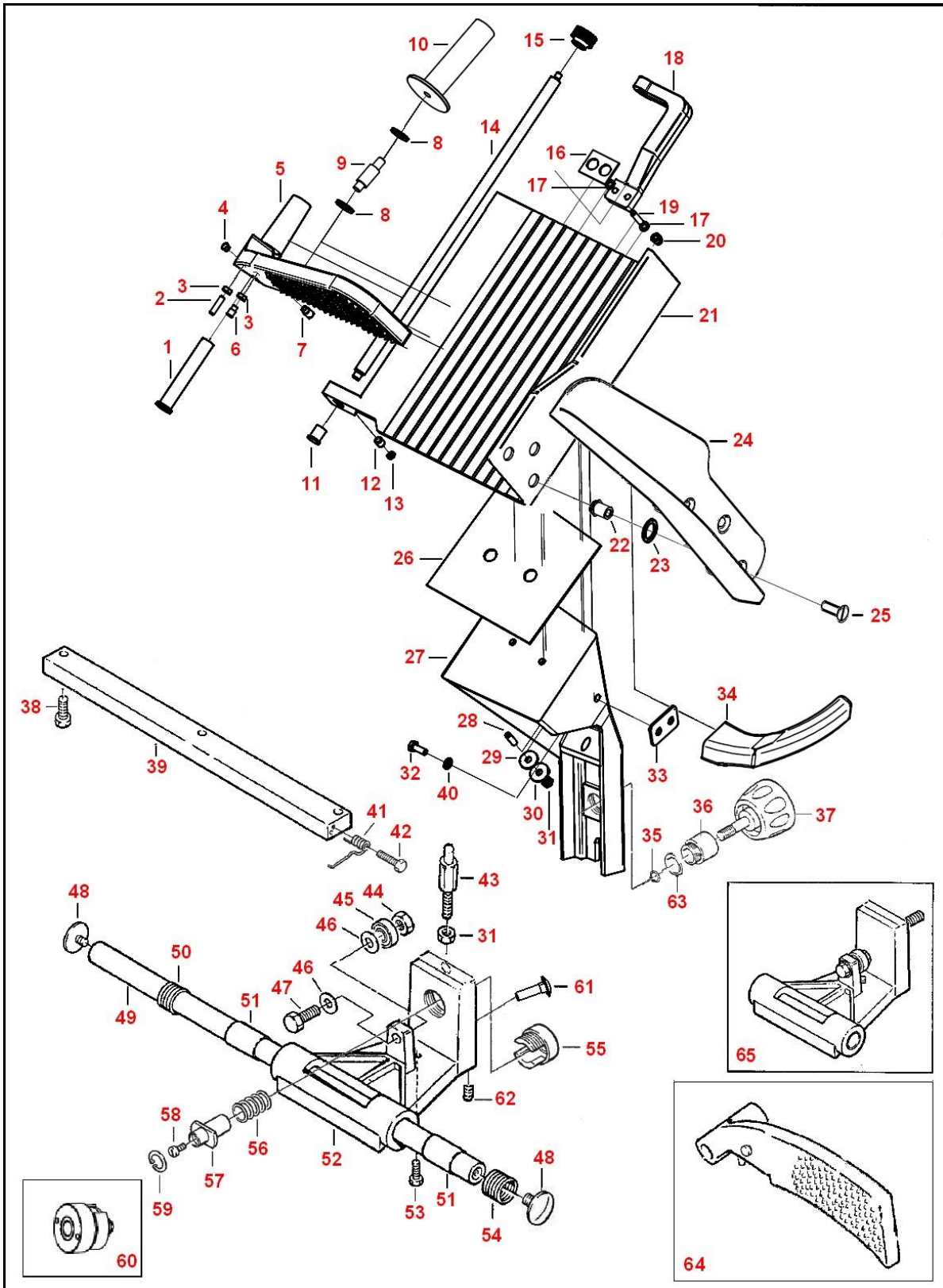


<b>Ref.</b>	<b>Code No.</b>	<b>Description</b>	<b>Q.ty</b>
1 - tab. 1	<b>30500195</b>	Aluminium cover knob	1
2 - tab. 1	<b>301CE002AIX</b>	Knife cover 300mm. with stainless steel	1
3 - tab. 1	<b>9001002</b>	Cover insert	1
4 - tab. 1	<b>6109 5 12</b>	Screw	4
5 - tab. 1	<b>6109 5 10</b>	Screw	1
6 - tab. 1	<b>30100073SK</b>	Knife 300mm.	1
7 - tab. 1	<b>301E00257</b>	Knife guard ring	1
8 - tab. 1	<b>5739 8 65/A2</b>	Screw	1
9 - tab. 1	<b>6592 8/A2</b>	Washer	2
10 - tab. 1	<b>30100101</b>	Guard ring support	1
11 - tab. 1	<b>357ACE259</b>	Ring spacer	2
12 - tab. 1	<b>6592 5/A2</b>	Washer	2
13 - tab. 1	<b>5589 5/A2</b>	Nut	2
14 - tab. 1	<b>1001003</b>	Rubber V-ring	1
15 - tab. 1	<b>6954 2.9 6.5</b>	Screw	3
16 - tab. 1	<b>357ACE160</b>	Stainless steel flange	1
17 - tab. 1	<b>1001002</b>	Rubber ring	1
18 - tab. 1	<b>301A00067</b>	Pulley	1
19 - tab. 1	<b>35700068</b>	Pulley shaft	1
20 - tab. 1	<b>3001004</b>	Bearing 6205 2RS	2
21 - tab. 1	<b>30100070</b>	Spacer	1
22 - tab. 1	<b>743752</b>	Circlip	1
23 - tab. 1	<b>743525</b>	Circlip	1
24 - tab. 1	<b>301C00011</b>	Slice deflector	1
25 - tab. 1	<b>351C00091</b>	Pin for slice deflector	2
26 - tab. 1	<b>5589 6</b>	Nut	2
29 - tab. 1	<b>5923 8 8</b>	Grub screw	2
30 - tab. 1	<b>5923 6 8</b>	Grub screw	1
31 - tab. 1	<b>301ECE001</b>	Casing	1
32 - tab. 1	<b>357BCE501E</b>	Red Tie rod assembly	1
33 - tab. 1	<b>3005004</b>	Belt	1
34 - tab. 1	<b>5589 6</b>	Nut	2
35 - tab. 1	<b>5923 6 16</b>	Grub screw	2
36 - tab. 1	<b>30100093</b>	Rubber foot	4
37 - tab. 1	<b>301ACE502</b>	Pulley assembly	

**EDGE**

**Gravity slicer**

**MEAT TABLE ASSEMBLY  
TAB. 2**



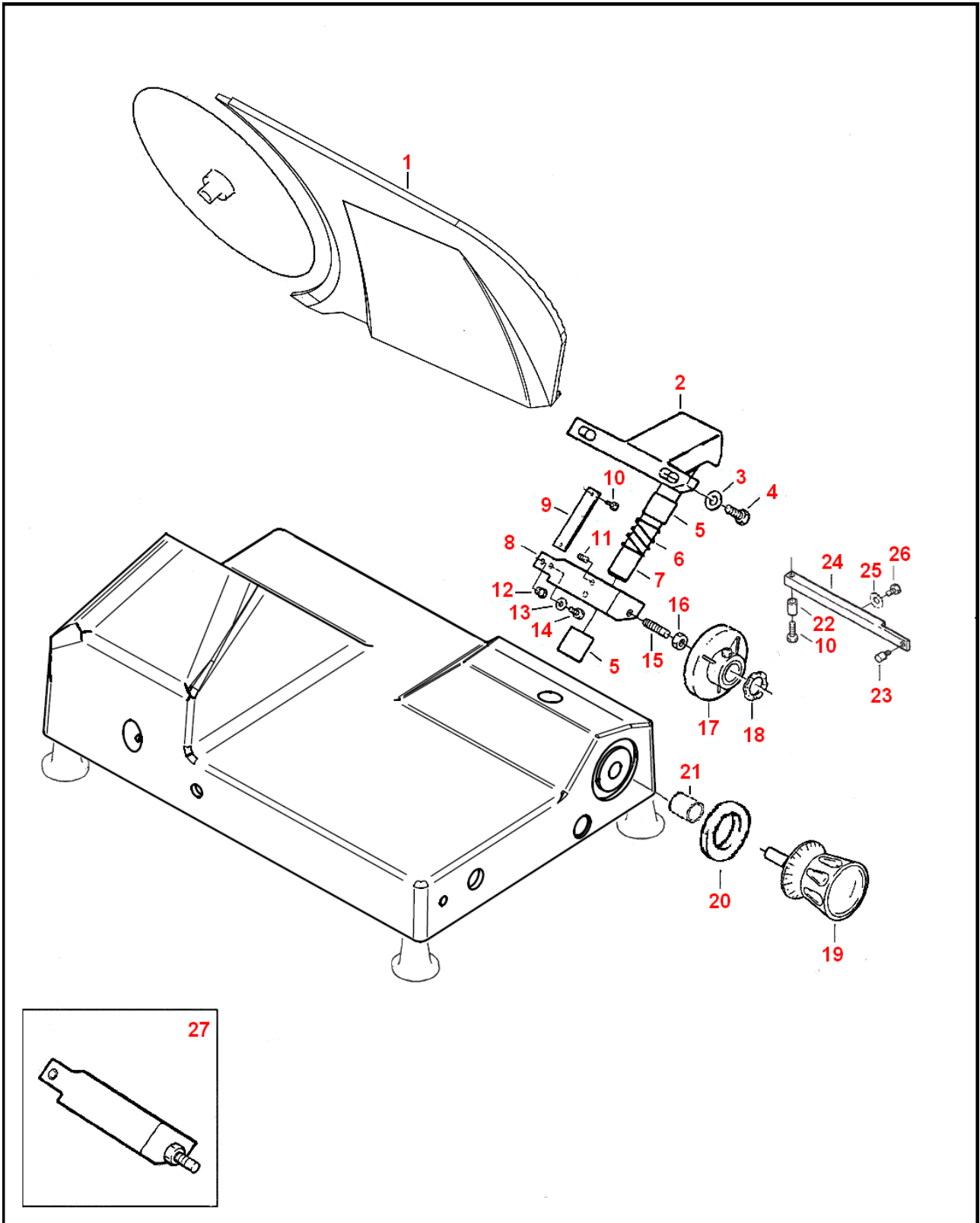
<b>Ref.</b>	<b>Code No.</b>	<b>Description</b>	<b>Q.ty</b>
1 - tab. 2	<b>30100079</b>	Bushing	1
2 - tab. 2	<b>30100232</b>	Pin	1
3 - tab. 2	<b>5589 6</b>	Nut	2
4 - tab. 2	<b>22100030</b>	Plastic tap	1
5 - tab. 2	<b>301E00009</b>	Meat pusher	1
6 - tab. 2	<b>30100244</b>	Pin	1
7 - tab. 2	<b>25100082</b>	Retainer	1
8 - tab. 2	<b>30100233</b>	Gasket for meat pusher handle	2
9 - tab. 2	<b>301ECE207</b>	Spacer	1
10 - tab. 2	<b>301CE080E</b>	Grey pusher handle	1
11 - tab. 2	<b>30100083</b>	Bushing	1
12 - tab. 2	<b>5923 8 8/A2</b>	Grub screw	1
13 - tab. 2	<b>18001002G</b>	Plastic tap	1
14 - tab. 2	<b>301A00084</b>	Rod	1
15 - tab. 2	<b>30100102E</b>	Grey knob	1
16 - tab. 2	<b>30100225</b>	Gasket under extension	1
17 - tab. 2	<b>6592 6/A2</b>	Washer	4
18 - tab. 2	<b>301A00226E</b>	Grey Extension	1
19 - tab. 2	<b>5923 6 25/A2</b>	Grub screw	2
20 - tab. 2	<b>5721 6/A2</b>	Nut	2
21 - tab. 2	<b>301E00008</b>	Tray	1
22 - tab. 2	<b>30100227</b>	Standoff insert	3
23 - tab. 2	<b>00-915275</b>	Rubber washer	3
24 - tab. 2	<b>00-915268</b>	Thumb guard	1
25 - tab. 2	<b>6109 6 20/A2</b>	Screw	3
26 - tab. 2	<b>30100228</b>	Gasket between tray and support	1
27 - tab. 2	<b>301DCE007</b>	Tray support	1
28 - tab. 2	<b>5923 8 25/A2</b>	Grub screw	2
29 - tab. 2	<b>30100235</b>	Rubber washer	2
30 - tab. 2	<b>30100242</b>	Washer	2
31 - tab. 2	<b>5589 8/A2</b>	Nut	3
32 - tab. 2	<b>5739 6 14</b>	Screw	2
33 - tab. 2	<b>301A00230</b>	Gasket under carriage handle	1
34 - tab. 2	<b>35005009E</b>	Tray support handle	1
35 - tab. 2	<b>7435 10</b>	Circlip	1
36 - tab. 2	<b>302ECE290</b>	Aluminium bushing D.30	1
37 - tab. 2	<b>302ACE040E</b>	Grey carriage knob	1
38 - tab. 2	<b>5931 6 20</b>	Screw	3
39 - tab. 2	<b>301CCE014</b>	Square bar assembly	1
40 - tab. 2	<b>1751 6</b>	Washer	2
41 - tab. 2	<b>301CE273</b>	Spring	1
42 - tab. 2	<b>5739 5 20</b>	Screw	1
43 - tab. 2	<b>301ECE128</b>	Spacer	1
44 - tab. 2	<b>5589 10</b>	Nut	1
45 - tab. 2	<b>3001006</b>	Bearing	1
46 - tab. 2	<b>6592 10 21</b>	Washer	2
47 - tab. 2	<b>5739 10 35</b>	Screw	1
48 - tab. 2	<b>30100050</b>	Screw	2
49 - tab. 2	<b>301A00013</b>	Round bar	1
50 - tab. 2	<b>301A00021</b>	Spring	1
51 - tab. 2	<b>2001004</b>	Bushing 22 30	2
52 - tab. 2	<b>301ECE012</b>	Carriage	1

<b>Ref.</b>	<b>Code No.</b>	<b>Description</b>	<b>Q.ty</b>
53 - tab. 2	<b>5739 6 20/N</b>	Screw	1
54 - tab. 2	<b>30100020</b>	Spring	1
55 - tab. 2	<b>221CE268</b>	Aluminium bushing D.35	1
56 - tab. 2	<b>221CE269</b>	Spring	1
57 - tab. 2	<b>221CE270</b>	Bushing D.29	1
58 - tab. 2	<b>6107 6 10/N</b>	Nylon screw	1
59 - tab. 2	<b>743722</b>	Circlip	1
60 - tab. 2	<b>221CE650</b>	Block CE assembly	
61 - tab. 2	<b>301CE127</b>	Screw	1
62 - tab. 2	<b>5923 6 10</b>	Grub screw	1
63 - tab. 2	<b>30100247</b>	Gasket	1
64 - tab. 2	<b>301E00901</b>	Meat pusher assembly	
65 - tab. 2	<b>301ECE601</b>	Carriage assembly	

**EDGE**

**Gravity slicer**

**THICKNESS ADJUSTING ASSEMBLY  
TAB. 3**

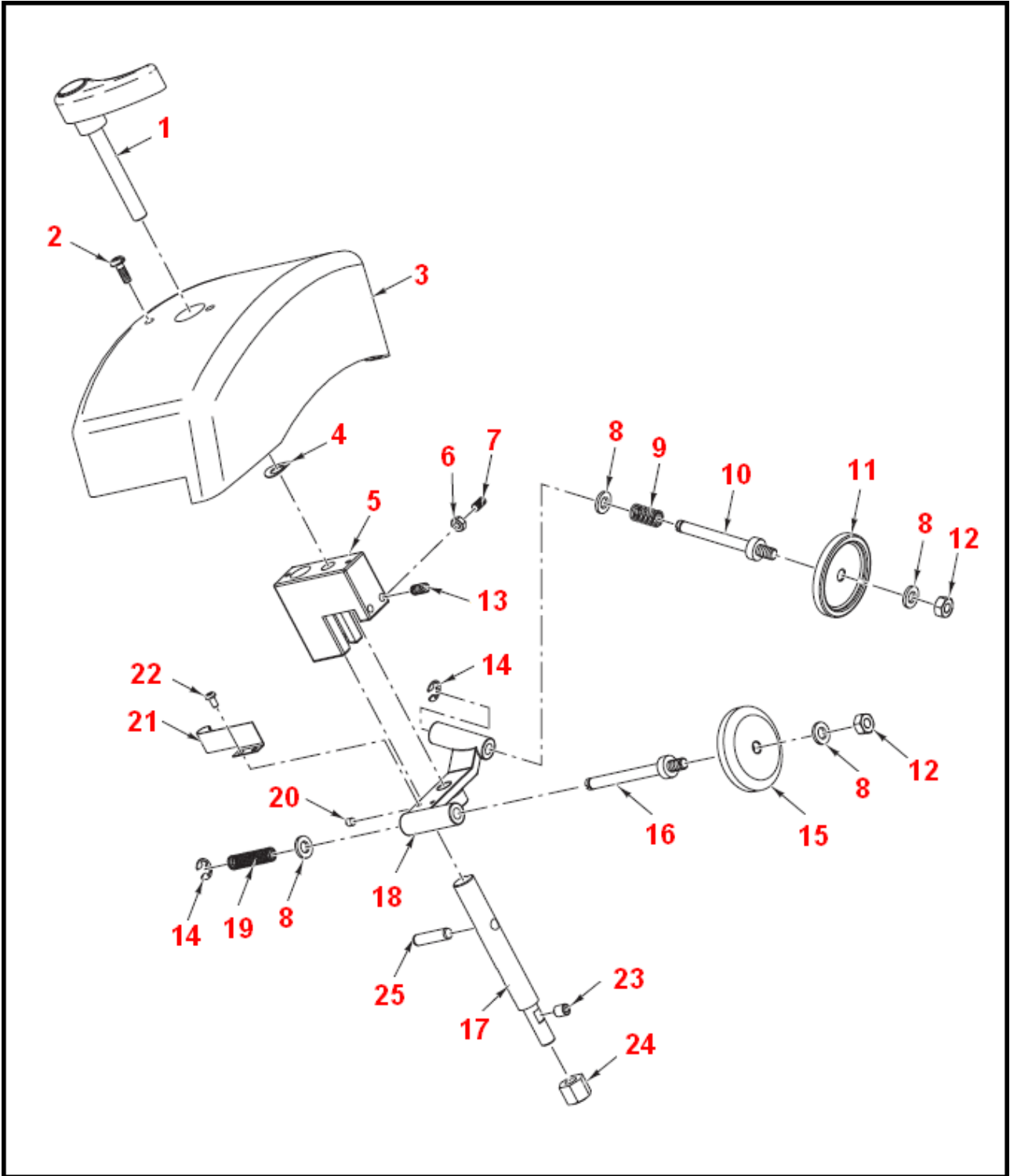


<b>Ref.</b>	<b>Code No.</b>	<b>Description</b>	<b>Q.ty</b>
1 - tab. 3	<b>301E00003</b>	Gauge plate	1
2 - tab. 3	<b>301A00004</b>	Gauge plate support	1
3 - tab. 3	<b>6592 6 18/A2</b>	Washer	2
4 - tab. 3	<b>5739 6 30</b>	Screw	2
5 - tab. 3	<b>2001003</b>	Bushing	2
6 - tab. 3	<b>30100024</b>	Spring	1
7 - tab. 3	<b>301A00023</b>	Pin for gauge plate support	1
8 - tab. 3	<b>30100022</b>	Support	1
9 - tab. 3	<b>22100026</b>	Plate	1
10 - tab. 3	<b>5739 5 14</b>	Screw	3
11 - tab. 3	<b>5929 8 10</b>	Grub screw	2
12 - tab. 3	<b>22100030</b>	Pin	1
13 - tab. 3	<b>5588 5</b>	Nut	1
14 - tab. 3	<b>5739 5 20/O</b>	Brass screw	1
15 - tab. 3	<b>30100027</b>	Cam pin	1
16 - tab. 3	<b>5589 8</b>	Nut	1
17 - tab. 3	<b>301CE702</b>	Cam assembly	1
18 - tab. 3	<b>315VCE095</b>	Washer	1
19 - tab. 3	<b>351C00035E</b>	Grey Graduated knob TN	1
20 - tab. 3	<b>GR-35001027</b>	Washer	1
21 - tab. 3	<b>2001015</b>	Bushing	1
22 - tab. 3	<b>301BCE255</b>	Bushing	1
23 - tab. 3	<b>301CE277</b>	Pin	1
24 - tab. 3	<b>301CE254</b>	Plate	1
25 - tab. 3	<b>6592 5 10</b>	Washer	1
26 - tab. 3	<b>5739 6 10/A2</b>	Screw	1
27 - tab. 3	<b>30100701</b>	Support assembly	

**EDGE**

**Gravity slicer**

**SHARPENER ASSEMBLY  
TAB. 4**



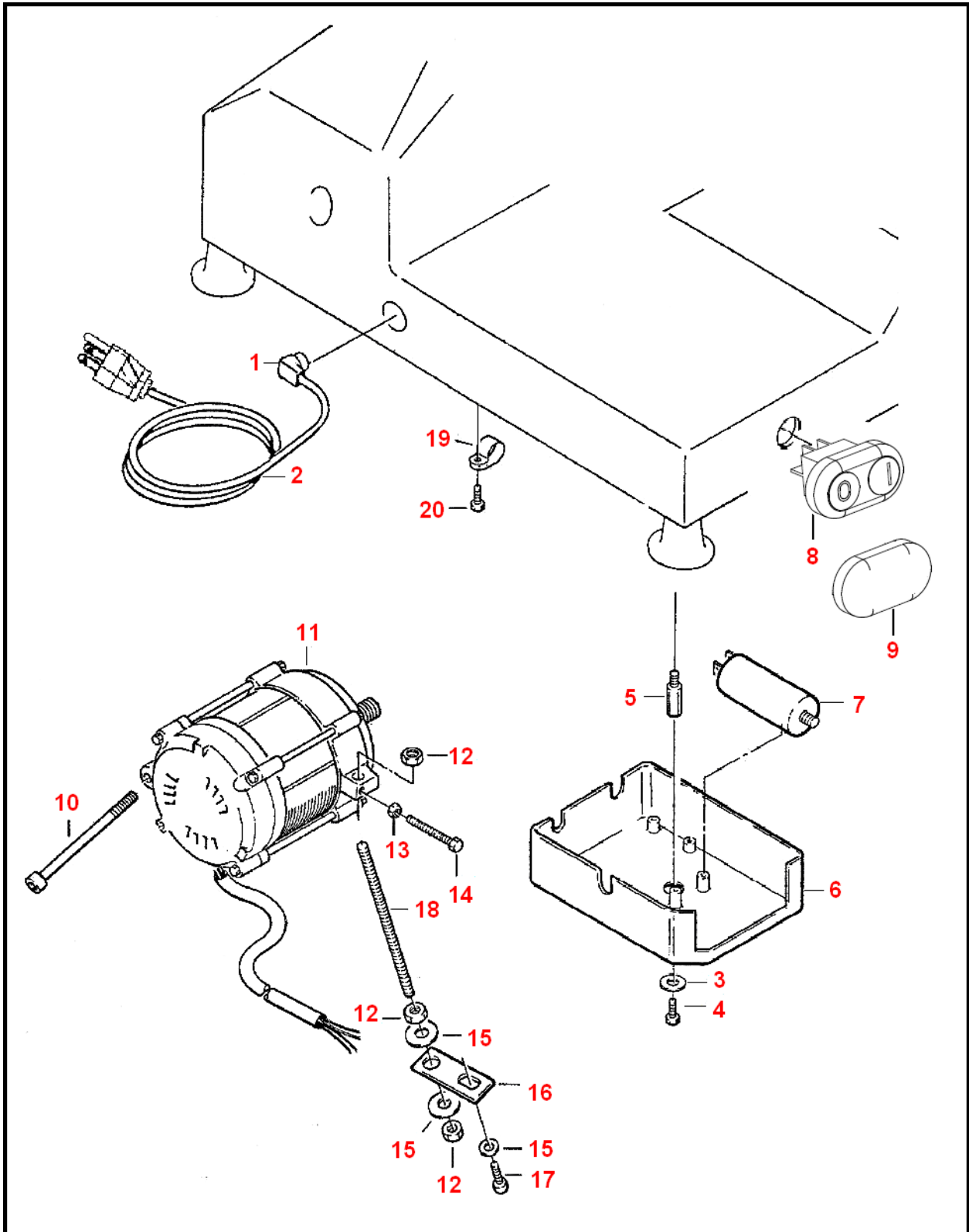


<b>Ref.</b>	<b>Code No.</b>	<b>Description</b>	<b>Q.ty</b>
1 - tab. 4	<b>00-479347</b>	Knob sharpener	1
2 - tab. 4	<b>5739 5 12/A2</b>	Grub screw	2
3 - tab. 4	<b>00-479342</b>	Cover sharpener	1
4 - tab. 4	<b>SL-005-09</b>	Spring – loading	1
5 - tab. 4	<b>00-479337</b>	Mount – sharpener	1
6 - tab. 4	<b>5589 4/A2</b>	Nut	1
7 - tab. 4	<b>5923 4 10/A2</b>	Grub screw	1
8 - tab. 4	<b>6592 6/A2</b>	Washer	4
9 - tab. 4	<b>00-479400</b>	Spring	1
10 - tab. 4	<b>00-479339</b>	Shaft – grinding	1
11 - tab. 4	<b>00-479341</b>	Wheel – grinding	1
12 - tab. 4	<b>5589 6/A2</b>	Nut	2
13 - tab. 4	<b>5923 5 8/A2</b>	Grub screw	1
14 - tab. 4	<b>6799 5</b>	Circlip	2
15 - tab. 4	<b>00-479398</b>	Wheel – Truing	1
16 - tab. 4	<b>00-479340</b>	Shaft – Truing	1
17 - tab. 4	<b>00-479343</b>	Sharpener shaft	1
18 - tab. 4	<b>00-479338</b>	Sharpener body	1
19 - tab. 4	<b>00-479345</b>	Spring	1
20 - tab. 4	<b>5923 4 6/A2</b>	Grub screw	1
21 - tab. 4	<b>00-479344</b>	Spring – return	1
22 - tab. 4	<b>6107 4 6/A2</b>	Screw	2
23 - tab. 4	<b>5923 5 8</b>	Grub screw	1
24 - tab. 4	<b>5721 8/A2</b>	Nut	1
25 - tab. 4	<b>30100103</b>	Pin	1

**EDGE**

**Gravity slicer**

**ELECTRICAL COMPONENTS  
TAB. 5**



<b>Ref.</b>	<b>Code No.</b>	<b>Description</b>	<b>Q.tà</b>
1 - tab. 5	<b>6001001</b>	Locking plate	1
2 - tab. 5	<b>3004915</b>	Cable+plug V.110	1
3 - tab. 5	<b>6592 5 15</b>	Rondella	2
4 - tab. 5	<b>5739 5 12</b>	Screw	2
5 - tab. 5	<b>30100128</b>	Spacer for box protection	1
6 - tab. 5	<b>30100136</b>	Box protection	1
7 - tab. 5	<b>3002003</b>	Capacitor 8mF	2
8 - tab. 5	<b>315V00039</b>	Switch	1
9 - tab. 5	<b>315V00253</b>	Switch cover	1
10 - tab. 5	<b>5931 8 110</b>	Motor Pin	1
11 - tab. 5	<b>315VCE048</b>	Motor V.230	1
12 - tab. 5	<b>5589 8</b>	Nut	3
13 - tab. 5	<b>5588 5</b>	Nut	1
14 - tab. 5	<b>5739 5 25</b>	Screw	1
15 - tab. 5	<b>6592 8 24</b>	Washer	3
16 - tab. 5	<b>22100055</b>	Plate	1
17 - tab. 5	<b>5931 8 14</b>	Screw	1
18 - tab. 5	<b>30100053</b>	Tie rod motor	1
19 - tab. 5	<b>6001003</b>	Locking plate	1
20 - tab. 5	<b>6954 4.7 12</b>	Screw	1