

WAREWASHING



Glass and dishwashers
ECOMAX G404

Spare Parts Catalogue

EN

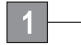

Valid for the following models:**ECOMAX G404**

ECO G404-10B ECO G404S-10B
ECO G404-12B ECO G404S-12B
ECO G404-20B
ECO G404-32B
ECO G404-90B

Note:

For other voltages or electric components, refer to the wiring diagram shipped with the machine. Observe wiring diagram.

Legende

-  Recommended spare parts / operation important parts
 Wearing parts

Publisher

HOBART GmbH
Robert-Bosch-Str. 17
77656 Offenburg

Tel +49(0)781.600-0
Fax +49(0)781.600-23 19

E-Mail: info@hobart.de
Internet: www.hobart.de

Product disclaimer

Installations and repairs carried out by non-authorized technicians or using non-genuine spare parts, and any technical alterations to the machine not approved by the manufacturer will invalidate the manufacturer's warranty and product liability.

HOBART reserves the right to make changes or improvements to its products without prior notice.

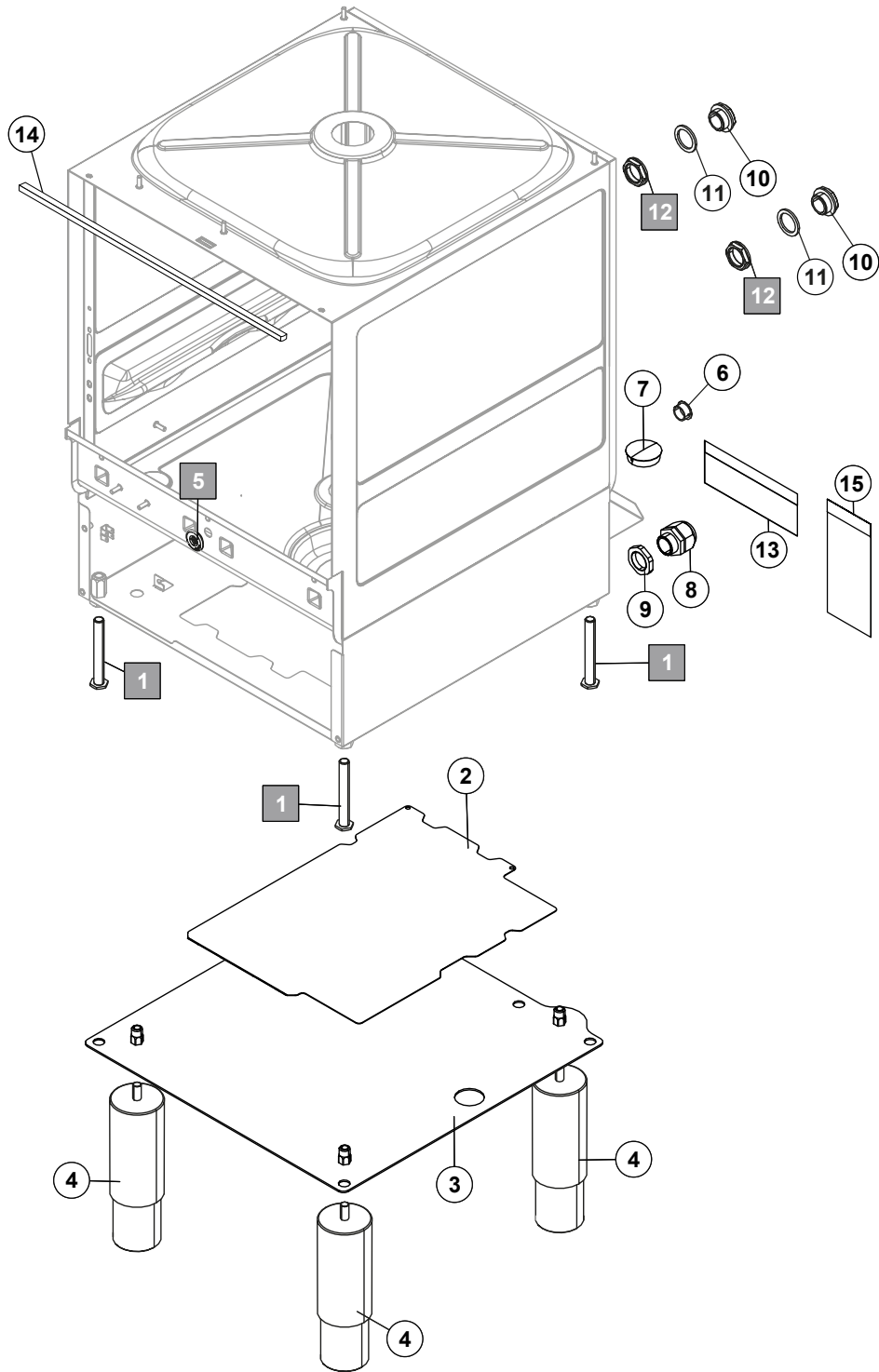
Detailed information can be obtained from your specialist dealer or from:

SERVICE Tel. 01803 45 62 58
Internet: www.hobart.de
E-Mail: info@hobart.de (within Germany)

© HOBART GmbH, Offenburg 2017

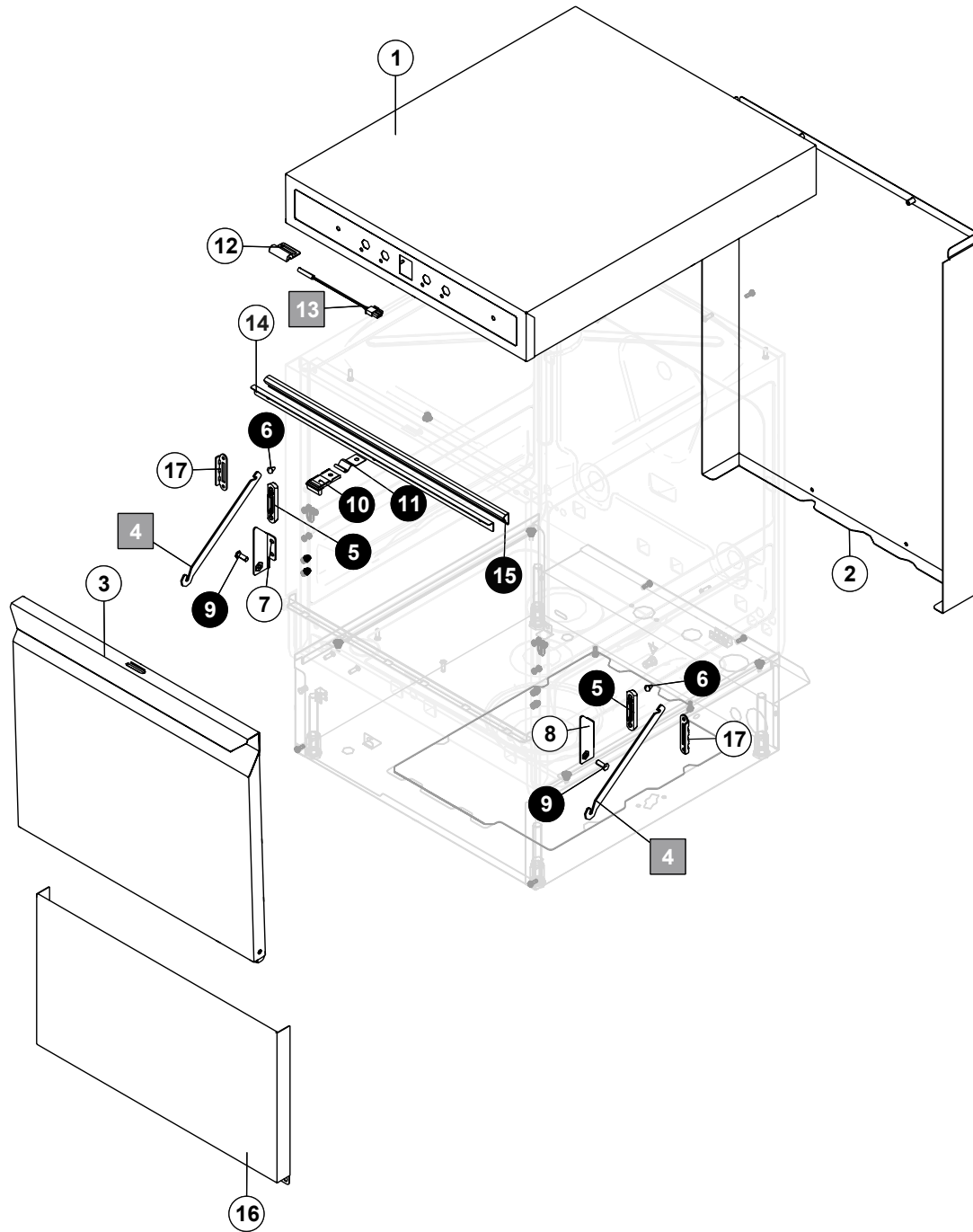
Page	Chapter	Contents
4	1.	Casing
6	2.	Covering
8	3.	Filling, boiler depressurised (without softener)
10	4.	Filling, pressure boiler (without softener)
12	5.	Filling, boiler (with softener)
16	6.	Wash- and drain pump
18	7.	Wash- and rinse system
20	8.	Tank and strainer system
22	9.	Detergent/rinse aid
24	10.	Control

1. Casing



Pos. no.	Part number	Part name	Remarks
1	01-515197-001	Adjustable feet	
2	04-005137-011	Base cover	
3	04-005194-001	Base cover	only Australia: ECO G404-90B
4	00-899605-003	Adjustable feet	only Australia: ECO G404-90B
5	04-005355-001	Plug	
6	00-895609-001	Plug	
7	00-895609-003	Plug	
8	00-695661-004	Cable duct	
9	00-695664-004	Counter nut	
10	01-297500-001	Plug	
11	00-775305-001	Gasket	
12	00-324384-000	Nut	
13	01-240283-005	Protective sheet	
14	00-168834-016	Sealing tape	
15	01-240283-006	Protective sheet	

2. Covering

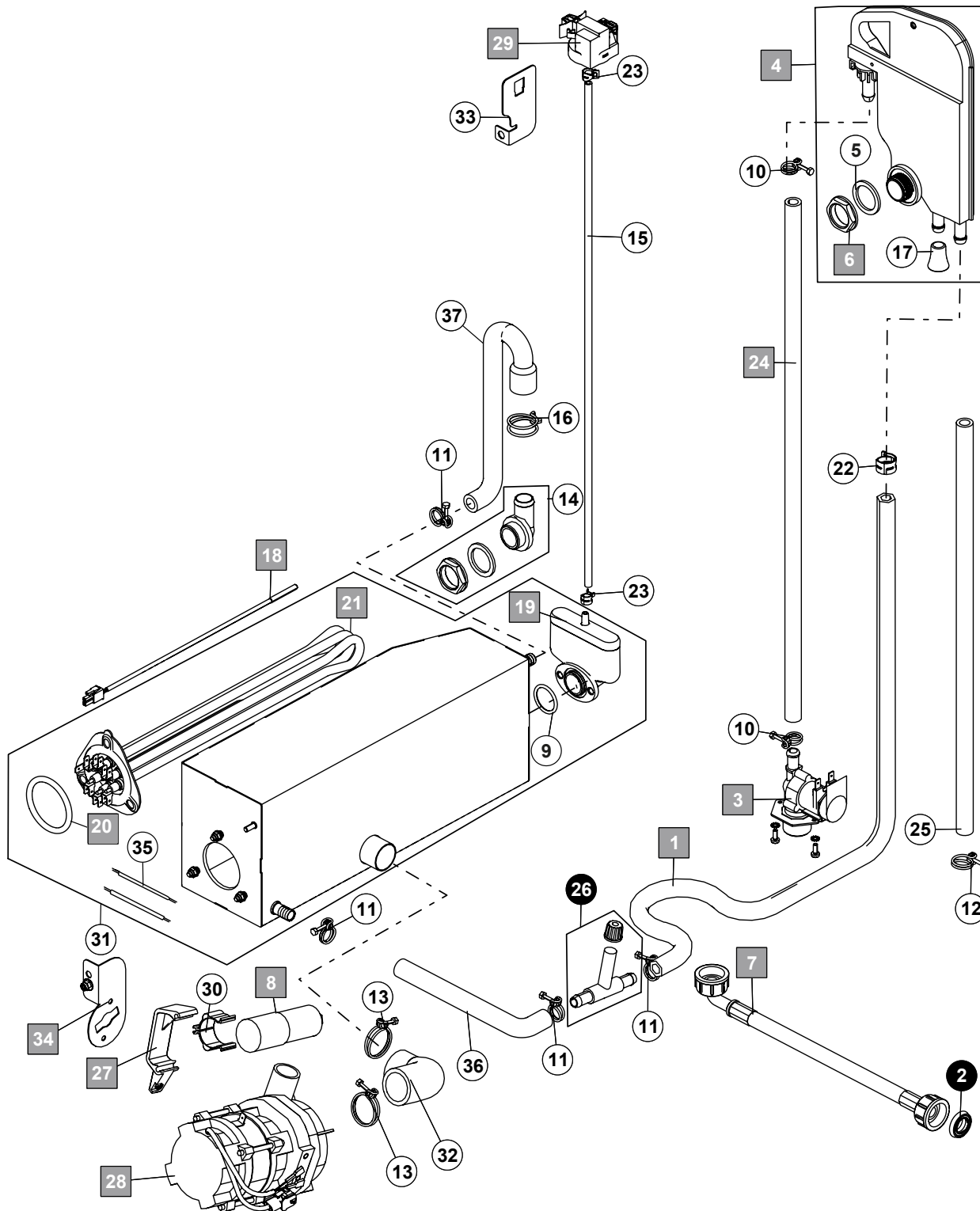


Pos. no.	Part number	Part name	Remarks
1	04-005129-002	Top Cover	
2	04-005135-001	Rear side cover	
3	04-005142-001	Door	
4	04-005151-001	Rod	
5	04-005343-001	Stop	
6	00-228828-001	Stopper	
7	04-005363-001	Hinge	
8	04-005349-001	Hinge	
9	04-005312-001	Hinge pin	
10	04-005325-001	Door latch	
11	04-005326-001	Spring	
12	01-515259-001	Holder reed switch	
13	01-515276-001	Reed switch	
14	04-005094-001	Profile	
15	04-005341-001	Door sealing	
16	04-005223-001	Front panel	
17	04-005253-001	Stop	

Models without Softener

Filling, boiler depressurised (without softener)

3. Filling, boiler depressurised (without softener)

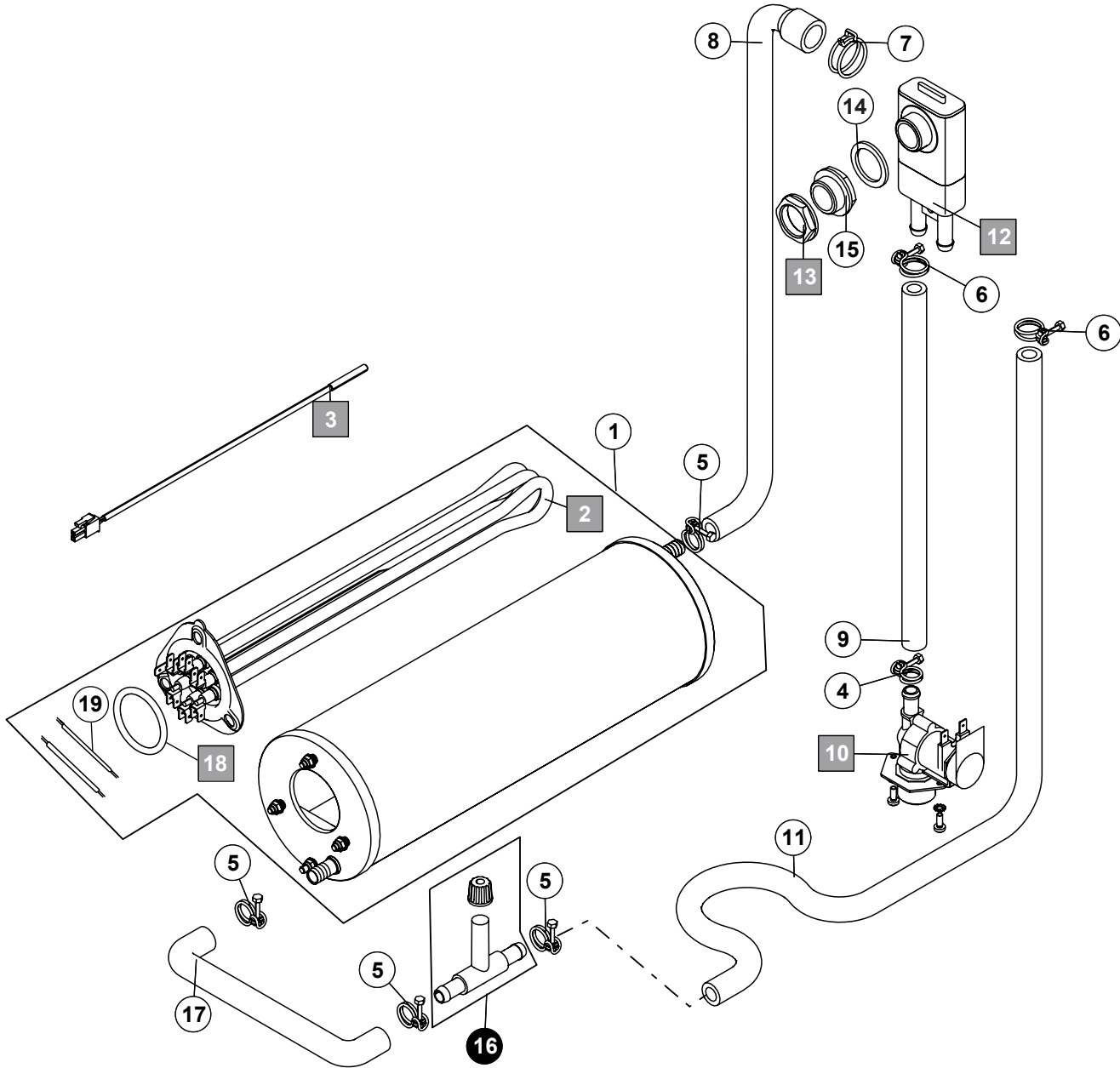


Pos. no.	Part number	Part name	Remarks
1	04-005356-001	Fill hose	
	01-510262-002	Fill hose	Australia
2	00-378525-001	Sealing with strainer	
3	00-883658-001	Filling valve	Boiler depressurised
	00-883658-002	Filling valve	Pressure boiler
	01-531690-003	Filling valve	G404-90B; pressure boiler
4	01-515331-001	Spare parts kit waterbreak	Boiler depressurised; incl. Pos. 5 + 6 + 17
5	00-775305-001	Gasket	
6	00-324384-000	Nut	
7	04-005356-001	Fill hose	
8	00-226568-002	Capacitor	
9	00-276903-056	O-ring	
10	00-323945-016	Hose clamp	Boiler depressurised
11	00-323945-018	Hose clamp	
12	00-323945-021	Hose clamp	
13	00-323945-035	Hose clamp	
14	00-883281-001	Fill piece kit	
15	00-324402-015	Hose	
16	00-324510-242	Hose clamp	Boiler depressurised
17	00-775531-001	Blind plug	
18	00-775612-001	Temperature sensor	
19	01-240076-002	Air chamber	
20	01-240135-011	O-ring	
21	01-240761-001	Heating element - boiler	
22	01-246214-002	Spring band clamp	
23	01-246214-003	Spring band clamp	
24	01-246371-017	Hose	at waterbreak with flowmeter
25	01-246371-018	Hose	at rinse pompe
26	01-297816-001	Tee	
27	01-515154-001	Bracket	
28	01-515260-001	Rinse pump	
29	00-775866-202	Pressure transmitter	
30	01-539645-001	Bracket	
31	04-005083-001	Boiler, cpl.	
32	04-005089-001	Hose	
33	04-005155-001	Bracket	
34	04-005172-001	Bracket	
35	00-227073-095	Jumper	
36	04-005098-001	Hose	
37	04-005097-002	Hose	

Models with Softener

Filling, pressure boiler (without softener)

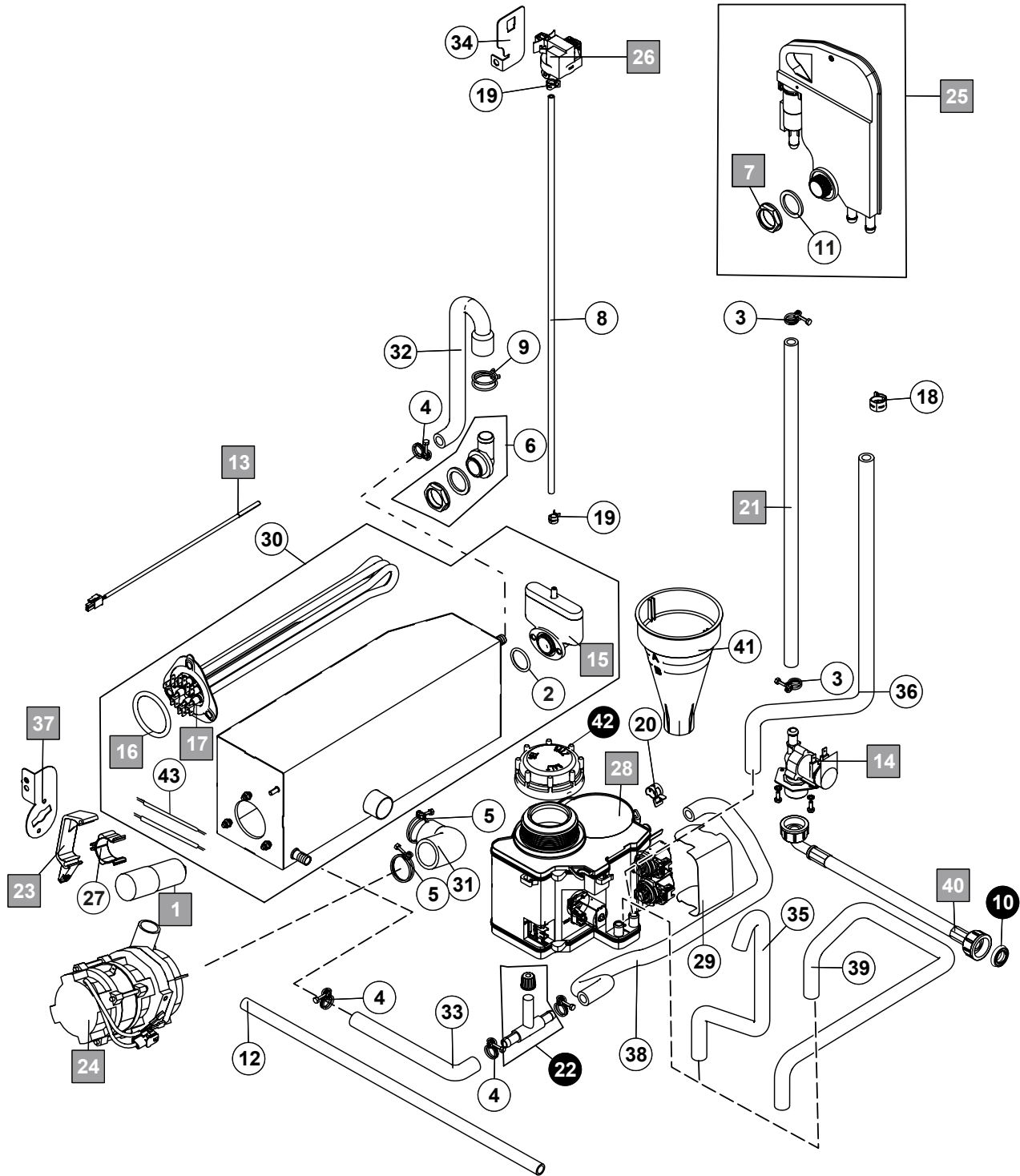
4. Filling, pressure boiler (without softener)



Pos. no.	Part number	Part name	Remarks
1	04-005057-001	Boiler, cpl.	pressure boiler
2	01-240761-001	Heating element - boiler	
3	00-775612-001	Temperature sensor	
4	00-323945-016	Hose clamp	
5	00-323945-018	Hose clamp	
6	00-323945-021	Hose clamp	
7	00-324510-242	Hose clamp	
8	04-005170-002	Hose	
9	01-297802-004	Hose	
10	00-883658-002	Filling valve	
11	04-005184-001	Hose	
12	00-775759-002	Backflow preventer	
13	00-324384-000	Nut	
14	00-775305-001	Gasket	
15	01-297500-001	Plug	
16	01-297816-001	Tee kit	
17	04-005226-001	Hose	
18	01-240135-011	O-ring	
19	00-227073-095	Jumper	

Filling, boiler (with softener)

5. Filling, boiler (with softener)



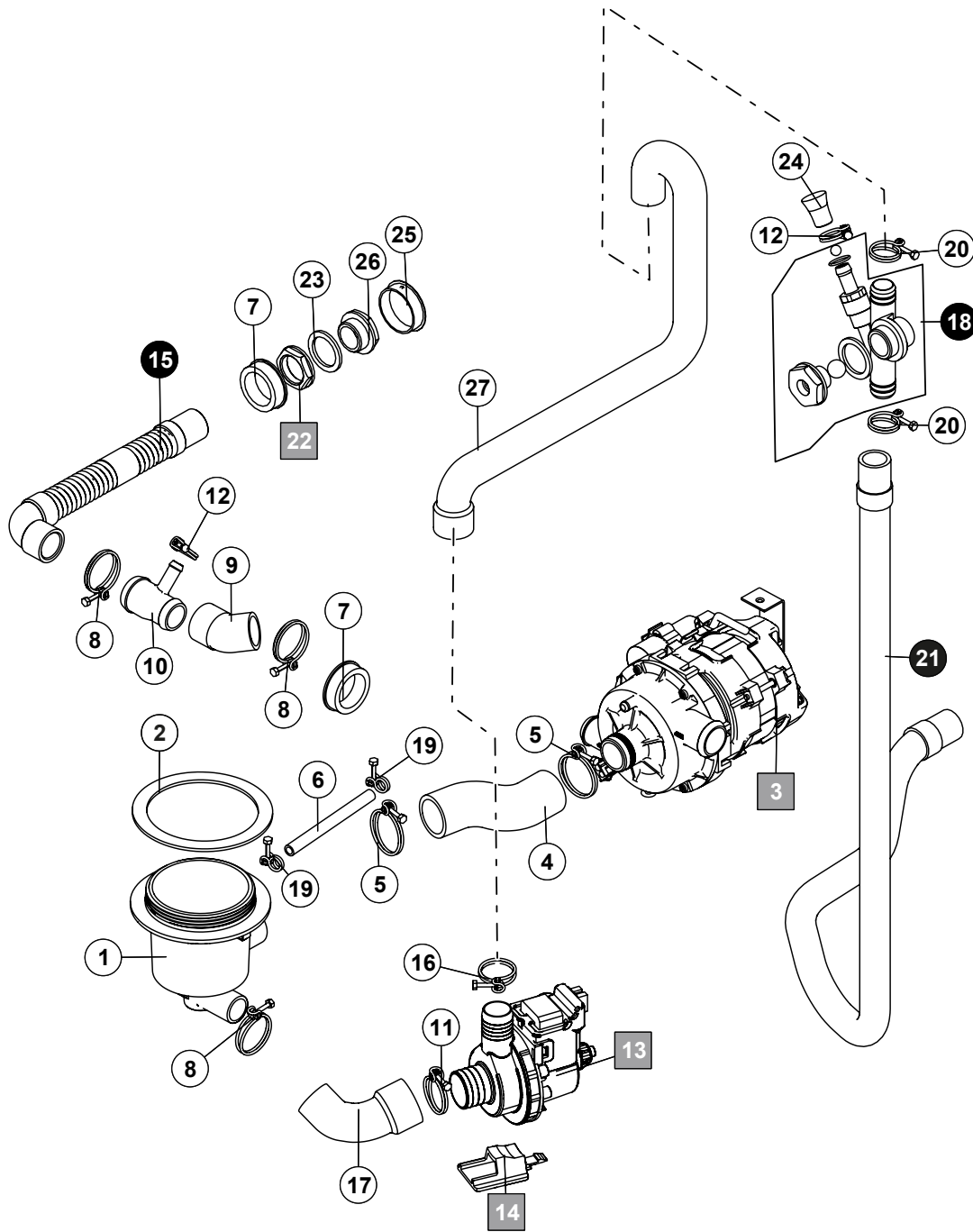
Pos. no.	Part number	Part name	Remarks
1	00-226568-002	Capacitor	
2	00-276903-056	O-ring	
3	00-323945-016	Hose clamp	
4	00-323945-018	Hose clamp	
5	00-323945-035	Hose clamp	
6	00-883281-001	Fill piece kit	
7	00-324384-000	Nut	
8	00-324402-015	Hose	
9	00-324510-242	Hose clamp	
10	00-378525-001	Sealing with strainer	
11	00-775305-001	Gasket	
12	00-775611-011	Hose	
13	00-775612-001	Temperature sensor	
14	00-883658-001	Filling valve	
15	01-240076-002	Air chamber	
16	01-240135-011	O-ring	
17	01-240761-001	Heating element - boiler	
18	01-246214-002	Spring band clamp	
19	01-246214-003	Spring band clamp	
20	01-246214-008	Spring band clamp	
21	01-246371-018	Hose	
22	01-297816-001	Tee kit	
23	01-515154-001	Bracket	
24	01-515260-001	Rinse pump	
25	01-515331-002	Spare parts kit waterbreak	incl. pos. 7 + 11
26	00-775866-202	Pressure transmitter	
27	01-539645-001	Bracket	
28	04-005030-001	Softener, cpl.	incl. cap + valves
29	04-005261-001	Protective sheet	
30	04-005083-001	Boiler, cpl.	
31	04-005089-001	Hose	
32	04-005097-002	Hose	
33	04-005098-001	Hose	
34	04-005155-001	Bracket	
35	04-005162-002	Hose	only with pump drain
36	04-005163-002	Hose	
37	04-005172-001	Bracket	
38	04-005175-001	Hose	
39	04-005180-001	Hose	
40	04-005356-001	Fill hose	
41	04-005367-001	Funnel	
42	04-005030-050	Replacement kit (cap)	

Filling, boiler (with softener)

Pos. no.	Part number	Part name	Remarks
43	00-227073-095	Jumper	
	00-609745-000	Salt VE 2Kg	

Wash- and drain pump

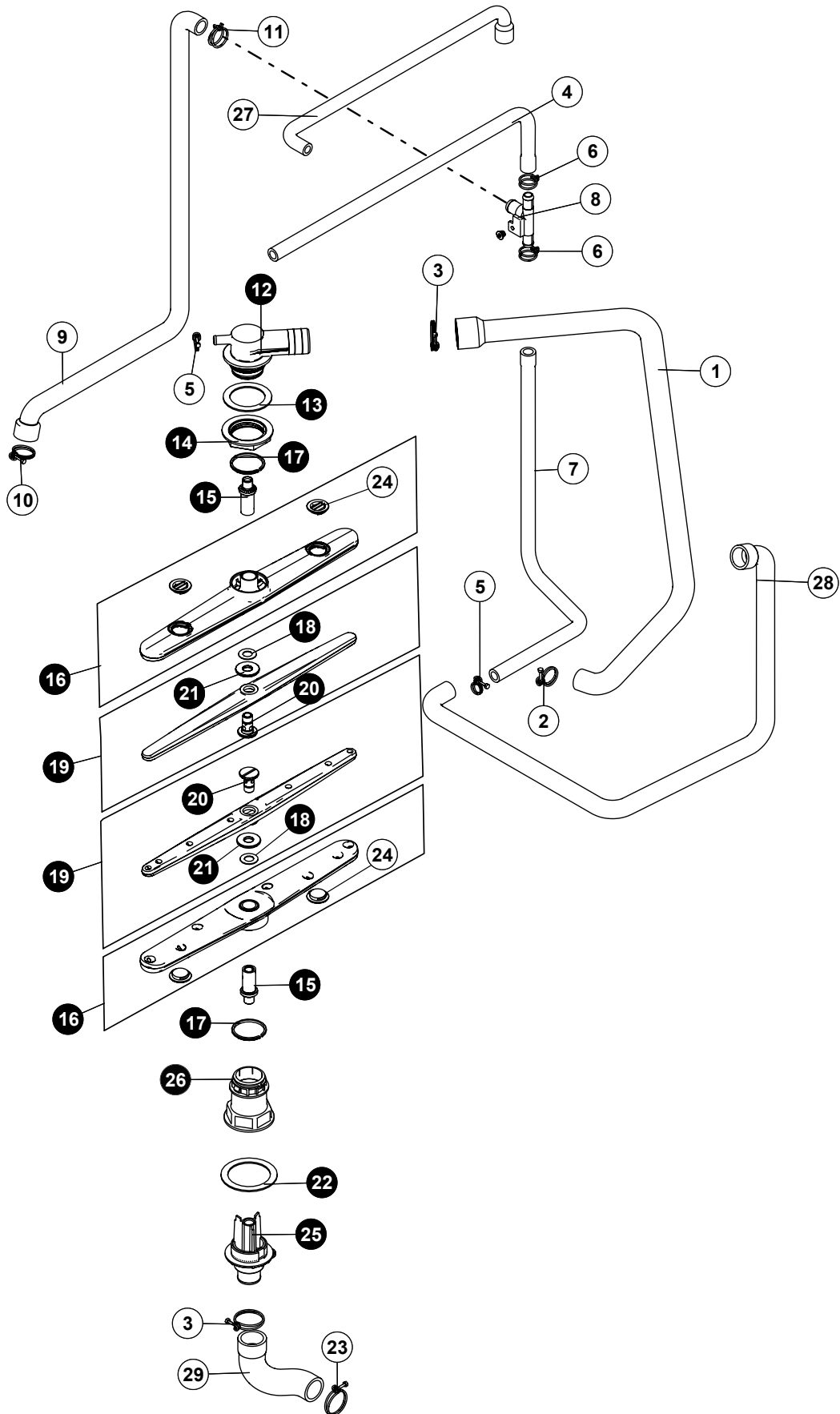
6. Wash- and drain pump



Pos. no.	Part number	Part name	Remarks
1	04-005327-001	Tank flange	
2	04-005358-001	Gasket	
3	04-005329-001	Wash pump, cpl.	
	04-005329-002	Wash pump, cpl. 60 Hz	only for G404-32B
4	04-005344-001	Hose	
5	00-323945-037	Hose clamp	
6	04-005249-001	Hose	
7	00-886756-003	Socket	
8	00-323945-029	Hose clamp	with pump; drain without pump + softener
	00-323945-033		drain without pump + with softener
9	04-005177-001	Hose	only with drain without pump
10	01-240788-001	Tee	
11	00-323945-035	Hose clamp	
12	00-323945-018	Hose clamp	
13	04-005077-001	Drain pump	only with drain with pump
14	04-005092-001	Bracket drain pump	
15	00-883961-002	Drain hose	only with drain without pump
16	00-323945-031	Hose clamp	only with drain with pump
17	04-005171-001	Hose	
18	01-240142-001	Ventilation valve, cpl.	
19	00-323945-015	Hose clamp	
20	00-323945-140	Hose clamp	only with drain with pump
21	00-324045-000	Drain hose	
22	00-324384-000	Nut	
23	00-775305-001	Gasket	
24	00-775531-001	Blind plug	only with drain with pump
25	00-895609-003	Plug	
26	01-297500-001	Plug	
27	04-005174-001	Hose	

Wash- and rinse system

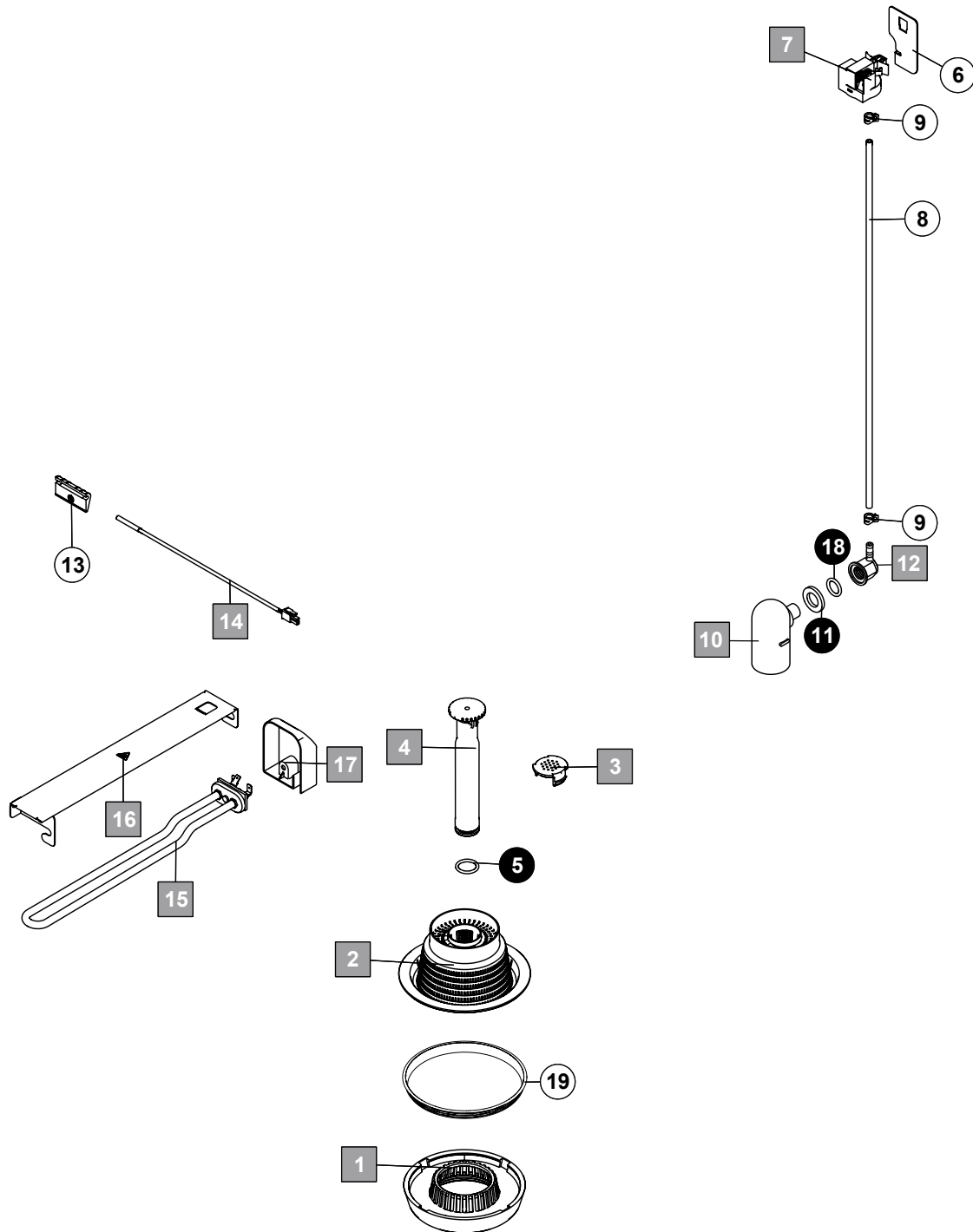
7. Wash- and rinse system



Pos. no.	Part number	Part name	Remarks
1	04-005345-001	Wash manifold	
2	00-323945-029	Hose clamp	
3	00-323945-040	Hose clamp	
4	04-005166-001	Hose	
5	00-323945-018	Hose clamp	
6	00-324510-202	Hose clamp	
7	04-005166-003	Hose	
8	00-324071-000	Tee	
9	04-005090-001	Hose	only with rinse pumpe (boiler depressurised)
	04-005170-001	Hose	Pressure boiler
10	00-323945-033	Hose clamp	only with rinse pumpe (boiler depressurised)
11	00-324510-242	Hose clamp	
12	04-005310-001	Upper wash arm bearing	
13	00-172986-043	Gasket	
14	04-005311-001	Nut	
15	04-005025-001	Axle	
16	01-294335-001	Wash arm, cpl.	
17	01-515356-001	Sliding ring	
18	00-774072-007	Teflon washer	
19	04-005148-001	Rinse arm, cpl.	
20	01-240095-001	Axle	
21	01-240205-001	Milled nut	
22	00-172986-043	Gasket	
23	00-323945-037	Hose clamp	
24	01-515110-001	Wash arm plug	
25	04-005149-001	Lower wash arm bearing	
26	04-005150-001	Nut	
27	04-005170-002	Hose	
28	04-005176-001	Hose	
29	04-005346-001	Hose	

Tank and strainer system

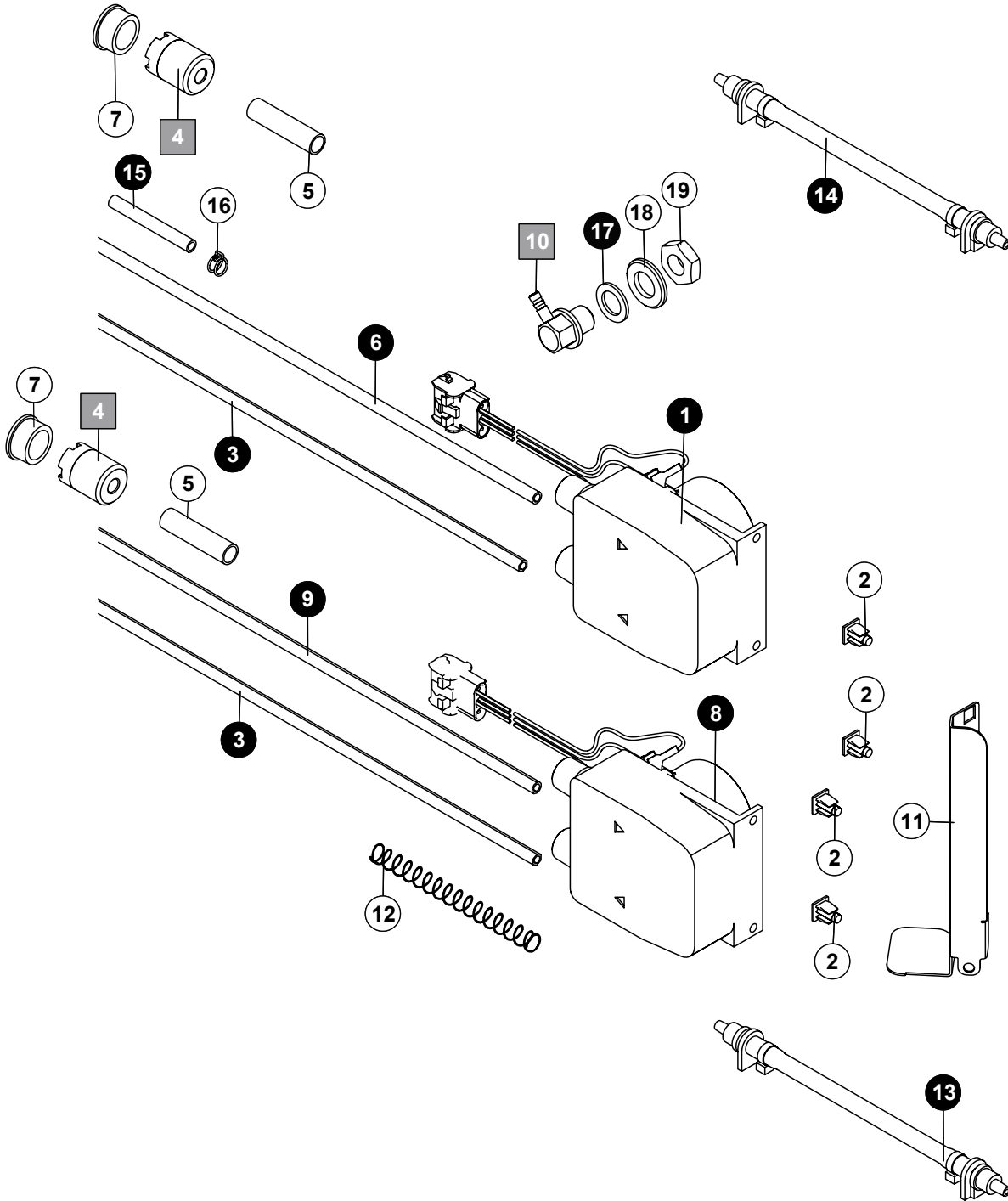
8. Tank and strainer system



Pos. no.	Part number	Part name	Remarks
1	04-005328-001	Nut, suction	
2	04-005338-001	Strainer	
3	04-005359-001	Plug	only strainer system with drain pump
4	04-005339-001	Overflow pipe	only strainer system without drain pump
5	00-276903-076	O-ring	only strainer system without drain pump
6	04-005155-001	Bracket	
7	00-775866-202	Pressure transmitter	
8	00-324402-005	Hose	
9	01-246214-003	Spring band clamp	
10	04-005370-001	Air chamber	
11	00-172986-036	Gasket	
12	04-005368-001	Nut	
13	01-297719-001	Bracket temperature sensor	
14	00-775612-001	Temperature sensor	
15	04-005192-001	Heating element	
16	04-005195-001	Protective cover heating element	
17	01-515113-001	Protective cover heating element	
18	00-884505-005	O-ring	
19	04-005237-002	Gasket	

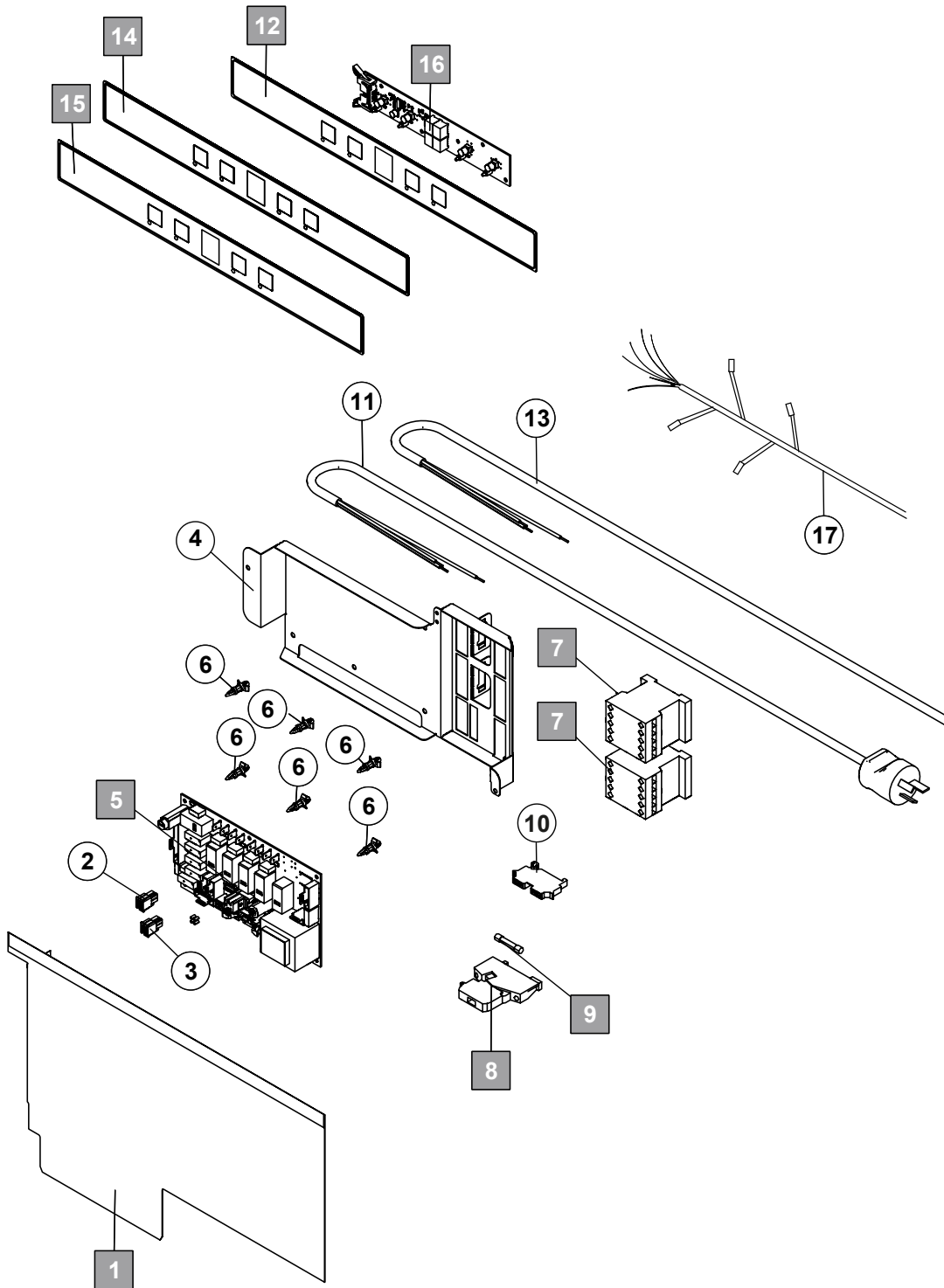
Detergent/rinse aid

9. Detergent/rinse aid



Pos. no.	Part number	Part name	Remarks
1	01-515269-006	Dosing unit rinse aid	only machines with rinse aid
2	00-775460-001	Bracket	only machines with dosing pump
3	01-515410-001	Hose	
4	00-775239-001	Suction piece	only machines with rinse aid
5	01-246210-001	Hose (blue)	
6	01-515410-013	Hose	
7	00-886756-004	Socket	
8	01-515269-002	Dosing unit detergent	
9	01-515410-007	Hose	
10	04-005333-001	Injector (detergent)	
11	04-005251-001	Bracket	only machines with dosing pump
12	00-324381-000	Spring	only machines with detergent
13	00-775608-002	Spare parts kit mill hose detergent	only machines with detergent
14	00-775608-003	Spare parts kit mill hose rinse aid	only machines with rinse aid
15	01-515410-017	Hose	
16	00-324510-068	Hose clamp	only machines without dosing
17	00-774072-006	Teflon washer	
18	00-602289-000	Washer	
19	00-602481-000	Nut	

10. Control



Pos. no.	Part number	Part name	Remarks
1	04-005224-001	Protective sheet	
2	04-005178-001	Connector	only with pressure boiler
3	04-005178-002	Connector	only with rinse pump
4	04-005250-001	Bracket	
5	04-005320-001	Control unit	
6	04-005173-001	Bracket	
7	00-695521-062	Contacter	
8	00-775548-001	Clip	
9	00-775570-001	Fuse	
10	00-323979-012	Terminal	
11	01-510061-004	Cable	only for Australia
12	04-005046-001	Keyboard foil	
13	00-374343-005	Cable	only at 1P
14	04-005181-001	Keyboard foil	Cookmax
15	04-005182-001	Keyboard foil	FHE
16	04-005050-001	Operating and display unit	
17	04-005127-001	Cable	

ecomax by HOBART

Robert-Bosch-Str. 17
77656 Offenburg
Telefon +49(0)1803 32 66 29
Fax +49(0)1803 32 63 29
E-Mail: info@ecomaxbyhobart.de
Internet: www.ecomaxbyhobart.de

HOBART Export

Robert-Bosch-Str. 17
77656 Offenburg
Germany
Phone: +49 (0)781.600-2820
Fax: +49 (0)781.600-2819
E-Mail: info-export@hobart.de
Internet: www.hobart-export.com

Hobart UK.

Southgate Way,
Orton Southgate,
Peterborough
PE2 6GN
United Kingdom
Tel.: +44 (0)844 888 7777
Republic of Ireland: +353 (0)1246 0248
Fax: +44 (0)1733 361 347
E-mail: part.sales@hobartuk.com
Internet: www.hobartuk.com

Compagnie HOBART SAS

Allée du 1er mai
77183 Croissy Beaubourg
FRANCE
Tel: +33 (0)1 64 11 60 00
Fax: +33 (0)1 64 11 60 10
E-mail: contact@hobart.fr
Internet: www.hobart.fr

Hobart Nederland BV

Pompmolenlaan 12
3447 GK Woerden
Telefoon +31 (0)348 462626
Fax: +31 (0)348 430117
E-mail: info@hobartnederland.nl
Internet: www.hobartnederland.nl

Hobart Foster Belgium bvba/sprl

Industriestraat 6
1910 Kampenhout
Telefoon +32 (0) 16.60.60.40
Fax +32 (0) 16.60.59.88
E-mail: info@hobart.be
Internet: www.hobart.be

Hobart Norge

Gamle Drammenvei 120
N-1363 Høvik
Tlf.: +47-67109800
E-post: post@hobart.no
Hjemmeside: www.hobart.no

Hobart Scandinavia ApS

Håndværkerbyen 27
2670 Greve
Danmark
Tlf.: +45 4390 5012
Fax.: +45 4390 5002
E-mail: salg@hobart.dk
Internet: www.hobart.dk

Hobart Sweden/Finland

Tel: +46 8 584 50 920
E-mail: info@hobart.se
Internet: www.hobart.se

Australia**Hobart Food Equipment**

Unit 1 / 2 Picken Street,
Silverwater NSW, 2128
Tel: +61 1800 462 278
Fax: +61 02 9714 0222
E-mail: sales@hobartfood.com.au
Internet: www.hobartequipment.com.au

HOBART China

15th Floor, Building A
New Caohejing International Business
Center
391 Gui Ping Road
Shanghai, 200233
Telephone: +86 (0)21 34612000
Fax: +86 (0)21 34617166
Internet: www.hobartchina.com