

## WAREWASHING



Dishwashers

**PROFI FX/FXL/FXL  
PREMAX FP**

Glaswashers

**PROFI GX  
PREMAX GP**

**Valid for the following models:****Profi FX/FXL/FXL:**

FX-10A	FXSTD-10A	FXLSBäko-10A
FXS-10A	FXSTD-11A	
FXSB-10A	FXL-81A	
FX-90A	FXL-10A	
FX-13A	FXLS-10A	
FX-80A	FXLSB-10A	

**Premax FP:**

FP-10A
FPS-10A
FP-90A

**Profi GX/GX-C:**

GX-10A	GXC-11A
GX-11A	GXCS-11A
GXS-11A	



**Premax GP:**

GP-10A
GPS-10A

**Note**

For other voltages or electric components, refer to the wiring diagram shipped with the machine. Observe wiring diagram.

**Legend**

	Recommended spare parts
	Wearing parts

**Publisher**

HOBART GmbH  
Robert-Bosch-Str. 17  
77656 Offenburg

Telephone +49(0)781.600-0  
Fax +49(0)781.600-23 19

E-Mail: info@hobart.de  
Internet: www.hobart.de

**Product liability**

Installations and repairs which are carried out by non-authorized technicians or the use of other than original spare parts, and any technical alterations to the machine, may affect the warranty set out in the standard conditions of sale.

As continued product improvement is a policy of HOBART, specifications are subject to change without notice.

Detailed information can be obtained from your distributor, or from:

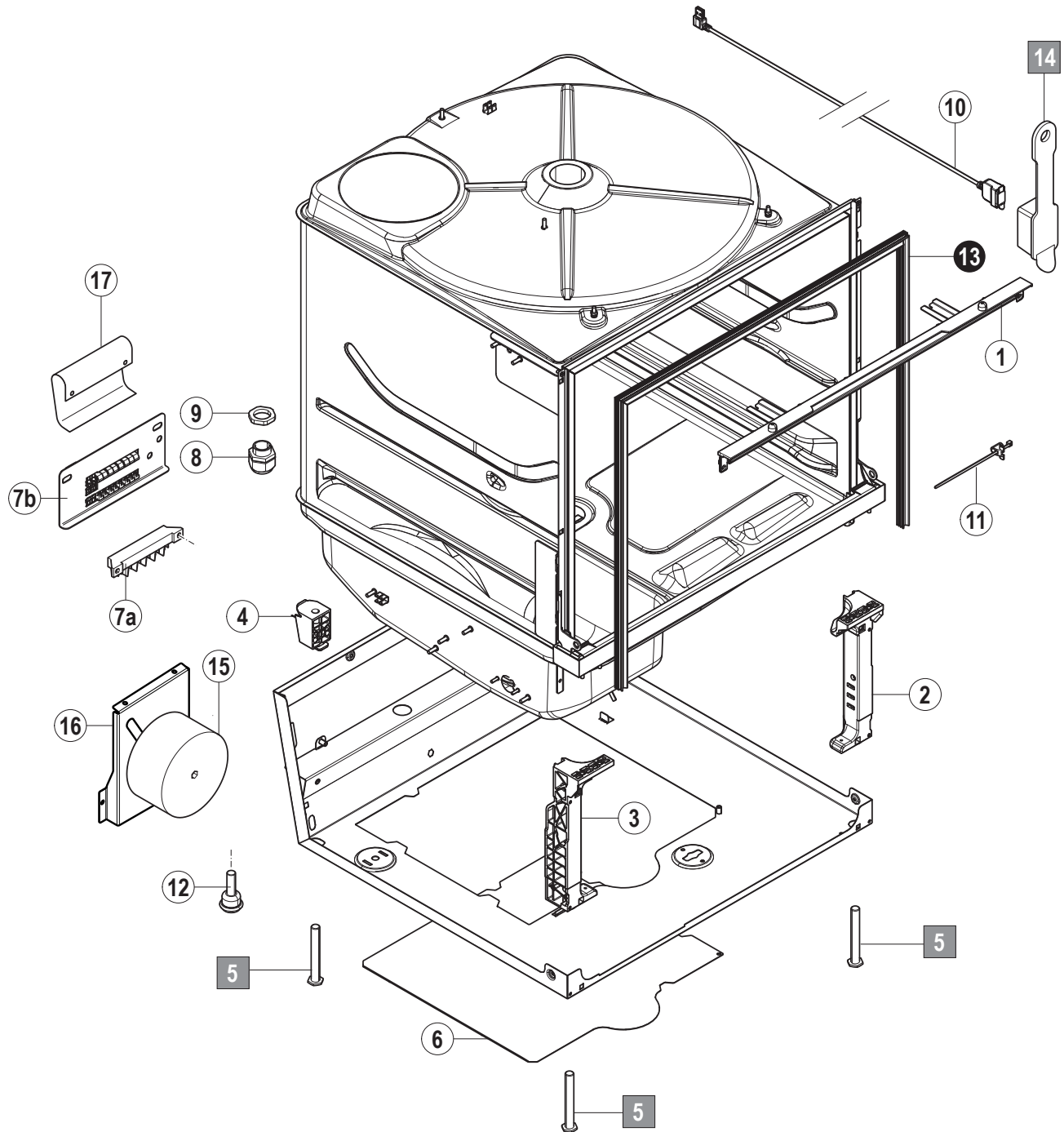
SERVICE Tel. 01803 45 62 58  
Internet: www.hobart.de  
E-Mail: info@hobart.de (innerhalb Deutschland)

© HOBART GmbH, Offenburg 2015

---

Page	Chapter	Contents
<b>4</b>	<b>1.</b>	<b>Housing</b>
<b>6</b>	<b>2.</b>	<b>Covering</b>
<b>8</b>	<b>3.</b>	<b>Fill, Drain and Booster</b>
<b>10</b>	<b>4.</b>	<b>Fill, Drain and Booster</b>
<b>14</b>	<b>5.</b>	<b>Wash and Drain System</b>
<b>16</b>	<b>6.</b>	<b>Wash and Rinse System to Serial No. 8666 28198</b>
<b>18</b>	<b>7.</b>	<b>Wash and Rinse System from Serial No. 8666 28199</b>
<b>20</b>	<b>8.</b>	<b>Tank and Filter System</b>
<b>22</b>	<b>9.</b>	<b>Detergent/Rinse aid</b>
<b>24</b>	<b>10.</b>	<b>Dryer</b>
<b>26</b>	<b>11.</b>	<b>Control</b>

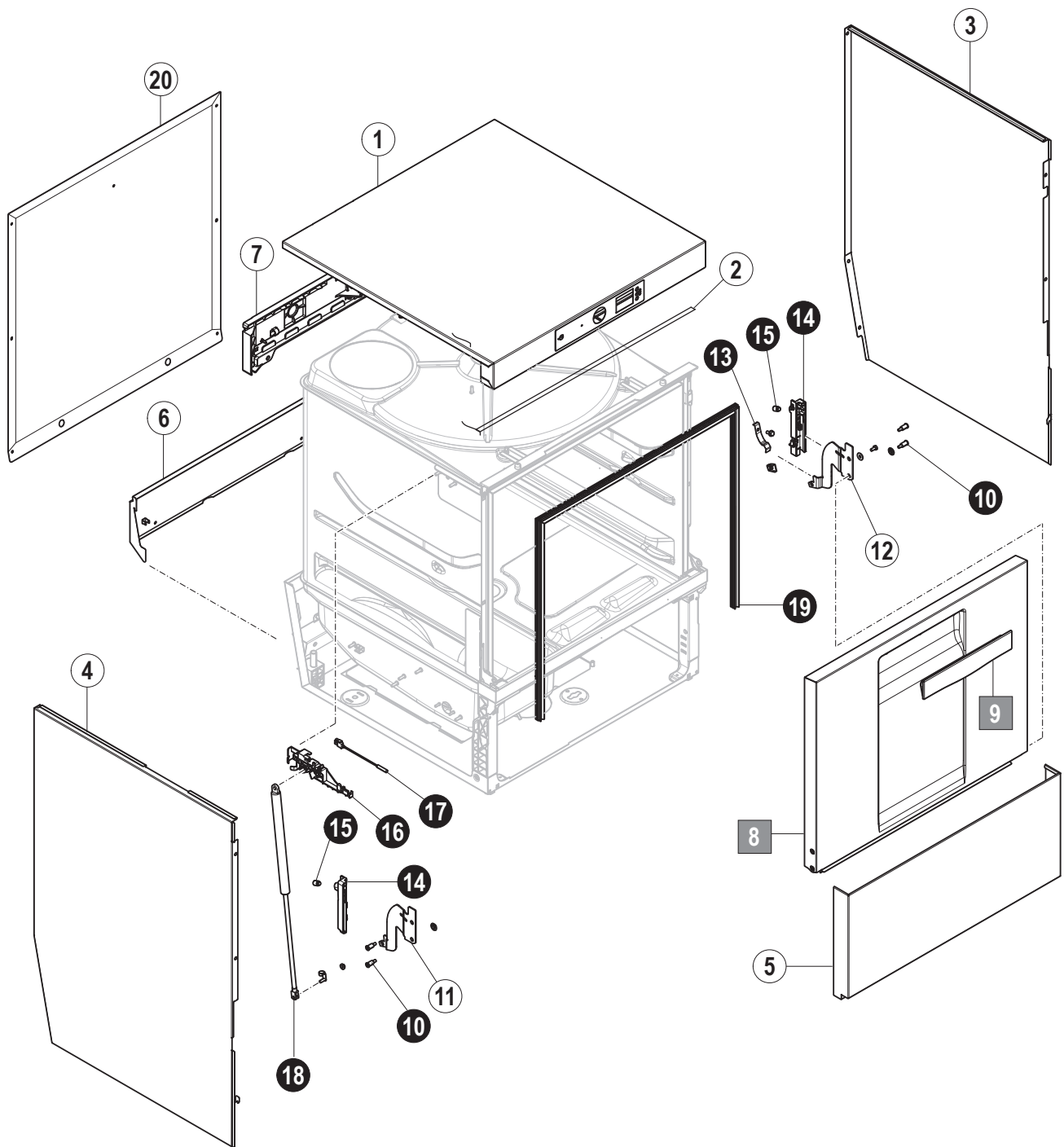
## 1. Housing



FX 01

Pos. no.	Part no.	Part name	Remarks
1	01-515066-001	Connection element tank	PROFI only
2	01-515080-001	Base frame front leg, right	
3	01-515081-001	Base frame front leg, left	
4	01-515216-001	Base frame foot rear	
5	01-515197-001	Adjustable foot	
6	01-515213-011	Base plate	
7a	00-774055-001	Connection block	
7b	01-510477-001	Clamping plate	FX(L)-80A/81A
8	00-695661-004	Cable fitting	
9	00-695664-004	Counter nut	
10	01-515064-001	USB port	
11	00-691923-001	Fixing strap	
12	00-323996-004	Ball roller	FX-90A only
13	01-515367-001	Door sealing	
	01-515367-002	Door sealing	GXC(S) only
14	01-515037-001	USB protecting cap, replacement kit	
15	00-775618-001	Transformer	FX(L)-80A/81A only
16	01-515307-001	Bracket transformer	FX(L)-80A/81A only
17	01-240283-002	Protective sheet	

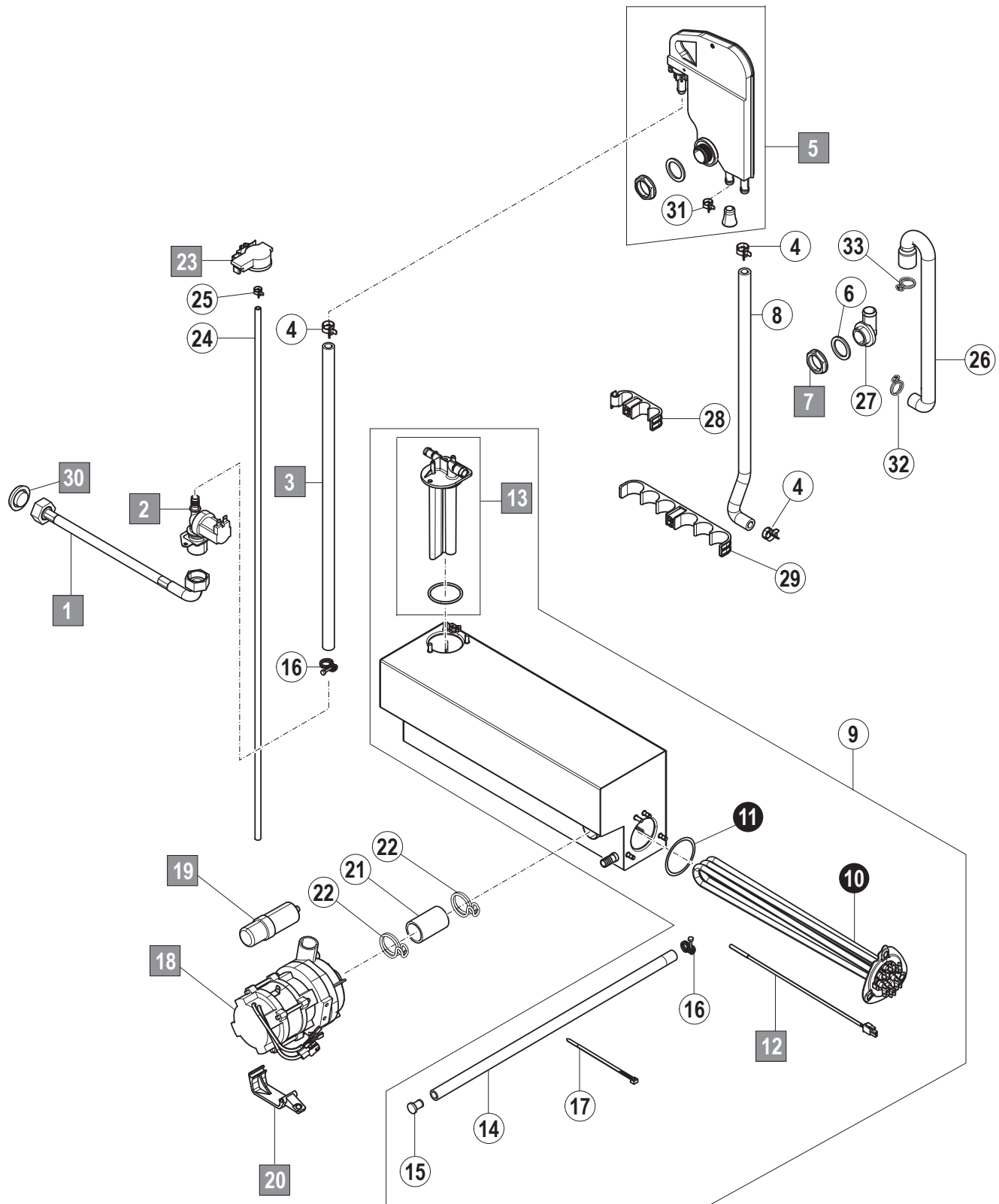
2. Covering



FX 02

Pos. no.	Part no.	Part name	Remarks
1	01-515139-001	Covering lid	
	01-515139-002	Covering lid	FXLSBäko-10A only
2	00-168834-006	Sealing tape	
3	01-515138-001	Side covering, right	all except GX-C
	01-515138-003	Side covering, right	GX-C only
4	01-515138-002	Side covering, left	all except GX-C
	01-515138-004	Side covering, left	GX-C only
5	01-515069-001	Frontal covering	
6	01-515275-001	Back covering	
7	01-515068-001	Bracket covering	
8	01-515012-004	Door	all except GX-C
	01-515012-002	Door	GX-C only
9	01-515366-001	Door handle	PROFI only
	01-515366-002	Door handle	PREMAX only
	01-515366-003	Door handle	FXLSBäko-10A only
10	01-515326-001	Spare parts kit door bolt	
11	01-515027-001	Hinge bow, left	
12	01-515027-002	Hinge bow, right	
13	01-515327-001	Spare parts kit flat spring	
14	01-515328-001	Spare parts kit guidance rail	
15	01-515329-001	Spare parts kit rubber damper	
16	01-515254-001	Bracket gas spring	
17	01-515276-001	Reed switch	
18	01-515330-001	Spare parts kit gas spring	
19	01-515367-001	Door sealing	
	01-515367-002	Door sealing	GXC(S) only
20	01-515312-001	Back covering	FXL
	01-515313-001	Back covering	FX
	01-515315-001	Back covering	GXC

**3. Fill, Drain and Booster**

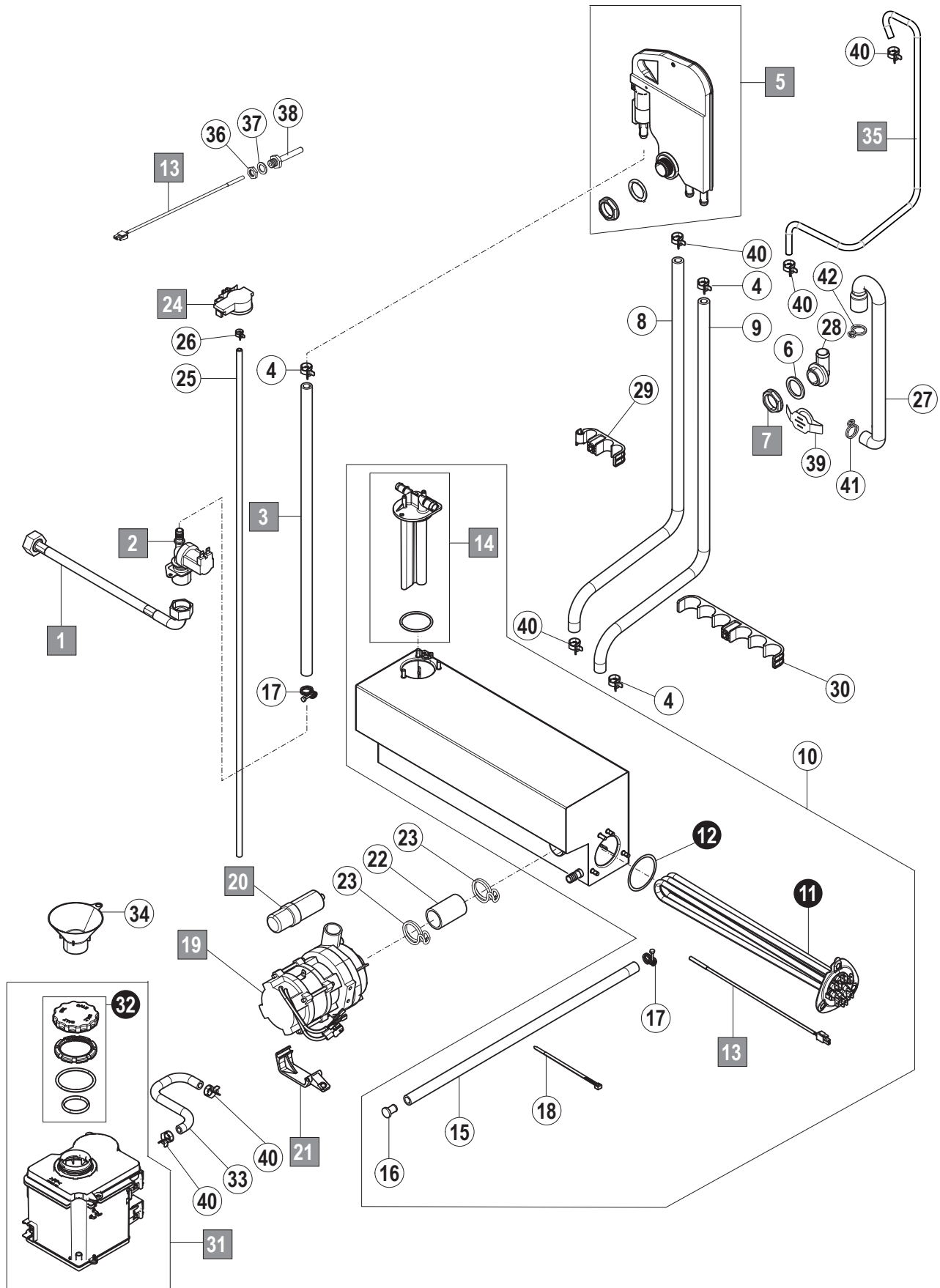


FX 03a



Pos. no.	Part no.	Part name	Remarks
1	01-240316-001	Water supply hose	
	01-510262-002	Water supply hose	FX-90A
2	00-883658-001	Filling valve	
3	01-246371-004	Hose	
4	01-246214-008	Spring band clamp	
5	01-515331-001	Spare parts kit waterbreak	
6	00-775305-001	Sealing	
7	00-324384-000	Nut	
8	01-515207-001	Hose	all except GX-C
	01-294072-001	Hose	GX-C only
9	01-515141-001	Hot water tank, compl.	PROFI only
	01-515141-004	Hot water tank, compl.	PREMAX and TD only
10	01-515258-001	Hot water tank heater	
11	01-240135-011	O-ring	
12	00-775612-001	Temperature sensor	
13	01-515332-001	Spare parts kit hot water tank connection chamber	
14	00-774080-001	Hose	
15	00-774512-001	Plug	
16	00-323945-015	Screw terminal	
17	00-165128-001	Cable tie	
18	01-515260-001	Rinse pump	
	01-515260-002	Rinse pump 60 Hz	FX(L)-81A only
19	00-226568-002	Condensor	
20	01-515154-001	Bracket rinse pump	
21	00-883145-012	Hose	
22	00-324510-313	Wire hose clamp	
23	00-775866-202	Pressure transmitter	
24	01-324402-001	Hose	
25	01-246214-003	Spring band clamp	
26	01-515210-001	Hose	all except GX-C
	01-515272-001	Hose	GX-C only
27	00-324097-000	Filler piece	
28	01-515198-001	Hose guidance rail	
29	01-515215-001	Hose guidance rail	
30	00-378525-001	Sealing with strainer	FX-90A only
31	01-246214-002	Spring band clamp	
32	00-324510-202	Wire hose clamp	
33	00-324510-242	wire hose clamp	

### 4. Fill, Drain and Booster



FX 04a

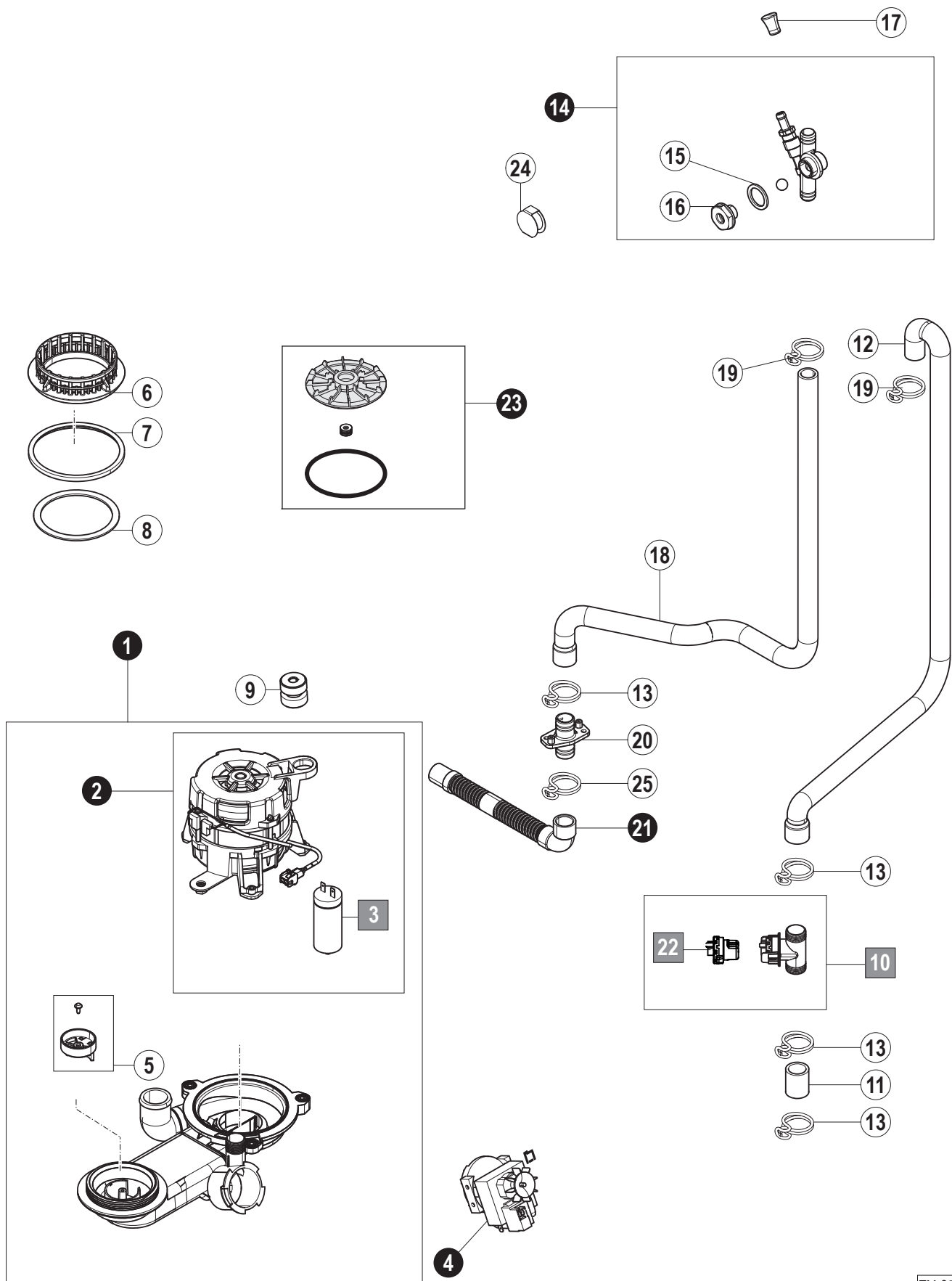
Pos. no.	Part no.	Part name	Remarks
1	01-240316-001	Water supply hose	
2	00-883658-001	Filling valve	
3	01-246371-004	Hose	
4	01-246214-008	Spring band clamp	
5	01-515331-002	Spare parts kit waterbreak	
6	00-775305-001	Sealing	
7	00-324384-000	Nut	
8	00-775611-002	Hose	
9	01-515208-001	Hose	all except GX-C
	01-515250-001	Hose	GX-C only
10	01-515141-001	Hot water tank, compl.	PROFI only
	01-515141-004	Hot water tank, compl.	PREMAX and FXSTD only
11	01-515258-001	Hot water tank heater	
12	01-240135-011	O-ring	
13	00-775612-001	Temperature sensor	
14	01-515332-001	spare parts kit hot water tank connection chamber	
15	00-774080-001	Hose	
16	00-774512-001	Plug	
17	00-323945-015	Screw terminal	
18	00-165128-001	Cable tie	
19	01-515260-001	Rinse pump	
	01.515260-101	Rinse pump	FXSTD only
20	00-226568-002	Condensor	
21	01-515154-001	Bracket rinse pump	
22	00-883145-012	Hose	
23	00-324510-313	wire hose clamp	
24	00-775866-202	Pressure transmitter	
25	01-324402-001	Hose	
26	01-246214-003	Spring band clamp	
27	01-515210-001	Hose	all except GX-C
	01-515272-001	Hose	GX-C only
28	00-324097-001	Filler piece	
29	01-515198-001	Hose guidance rail	
30	01-515215-001	Hose guidance rail	
31	01-515030-001	Softener	
32	01-515030-050	Spare parts kit softener cover lid	
33	01-515209-001	Hose	
34	01-515277-001	Funnel	
35	01-515201-001	Hose	
	01-515244-001	Hose	GXCS only
36	00-172739-005	Nut	FXSTD only
37	00-774072-008	Teflon disc	FXSTD only

---

Pos. no.	Part no.	Part name	Remarks
38	00-324326-000	Shell	FXSTD only
39	01-240407-001	Cover cap	FXSTD only
40	01-246214-002	Spring band clamp	
41	00-324510-202	wire hose clamp	
42	00-324510-242	wire hose clamp	



### 5. Wash and Drain System

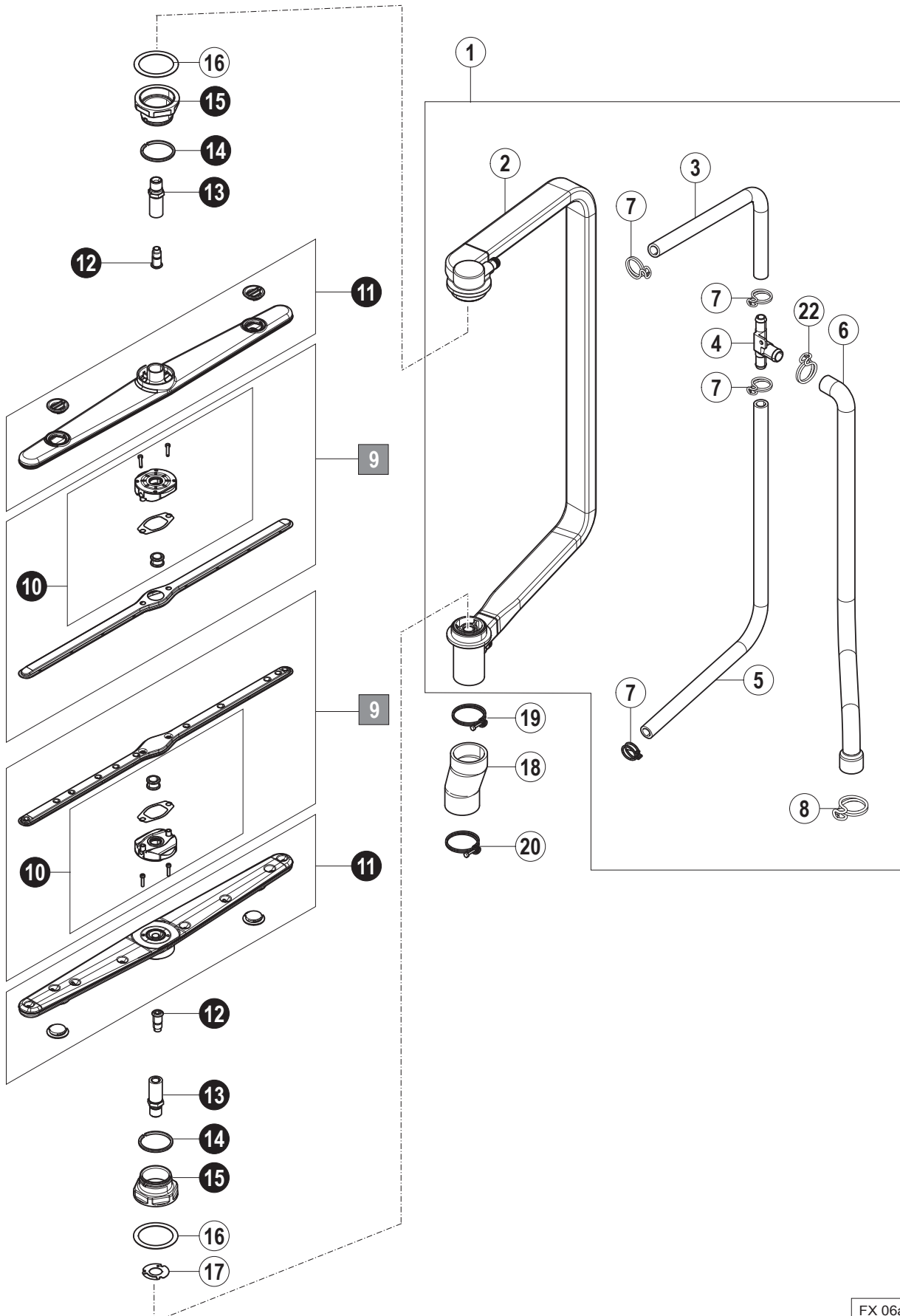


FX 05a

Pos. no.	Part no.	Part name	Remarks
1	01-515355-001	Wash pump, compl.	
	01-515355-002	Wash pump compl. 60 Hz	FX(L)-81A only
2	01-515183-001	Wash pump	FX(L)-81A only
	01-515183-002	Wash pump 60 Hz	
3	00-226568-014	Condensor	
4	01-240010-001	Drain pump	
	01-240010-002	Drain pump 60 Hz	FX(L)-81A only
5	01-240395-001	Flipper	
6	01-515055-001	Nut, suction	
7	01-240296-001	Supporting ring	
8	01-240178-001	Sealing	
9	01-240186-001	Vibration damper	
10	01-515022-001	Turbidity sensor	
11	01-515211-001	Hose	
12	01-515202-001	Hose	all except GX-C
	01-515245-001	Hose	GX-C only
13	00-324510-13	wire hose clamp	
14	01-240142-001	Ventilation valve, compl.	
15	00-775305-001	Sealing	
16	01-240144-001	Nut	
17	00-775531-001	Blind plug	
18	01-515203-001	Hose	all except GX-C
	01-515246-001	Hose	GX-C only
19	00-324510-258	wire hose clamp	
20	01-240159-001	Drain connection	
21	00-883961-002	Drain hose	
22	01-515020-001	Turbidity sensor	
23	01-240374-001	Slide ring seal, replacement kit	
24	00-883271-001	Cover cap	FXSTD only
25	00-324510-287	wire hose clamp	

Wash and Rinse System to Serial No. 8666 28198

6. Wash and Rinse System to Serial No. 8666 28198



FX 06a/2

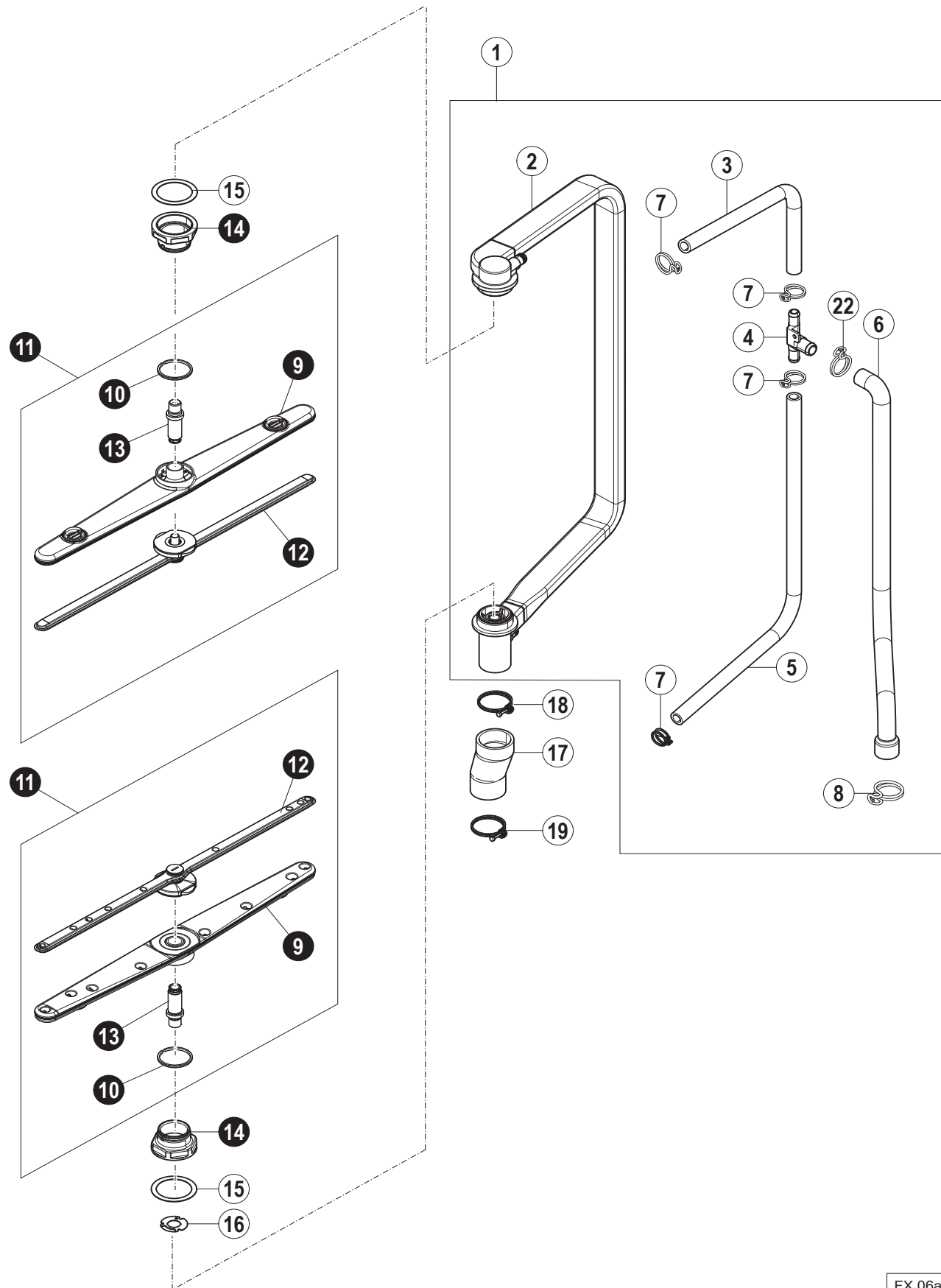


## Wash and Rinse System to Serial No. 8666 28198

Pos. no.	Part no.	Part name	Remarks
1	01-515212-001	Riser, compl.	all except GX-C
	01-515212-002	Riser, compl.	GX-C only
2	01-515160-001	Riser	all except GX-C
	01-515285-001	Riser	GX-C only
3	01-515205-001	Hose	
4	00-324071-001	T-piece	
5	01-515206-001	Hose	all except GX-C
	01-515248-001	Hose	GX-C only
6	01-515204-001	Hose	all except GX-C
	01-515247-001	Hose	GX-C only
7	00-324510-202	wire hose clamp	
8	01-324510-327	wire hose clamp	
9	01-515155-001	Rinse arm, compl.	
10	01-515333-001	Spare parts kit clip-in	
11	01-515111-001	Wash arm, compl.	
12	01-515172-001	Screw rinse arm	
13	01-515171-001	Axle	
14	01-515356-001	Sealing ring	
15	01-515112-001	Separating nut	
16	00-172986-019	Sealing	
17	01-515434-001	Orifice plate	
18	01-240164-001	Spring band clamp	
19	00-323945-049	Screw terminal	
20	00-323945-046	Screw terminal	

Wash and Rinse System from Serial No. 8666 28199

7. Wash and Rinse System from Serial No. 8666 28199

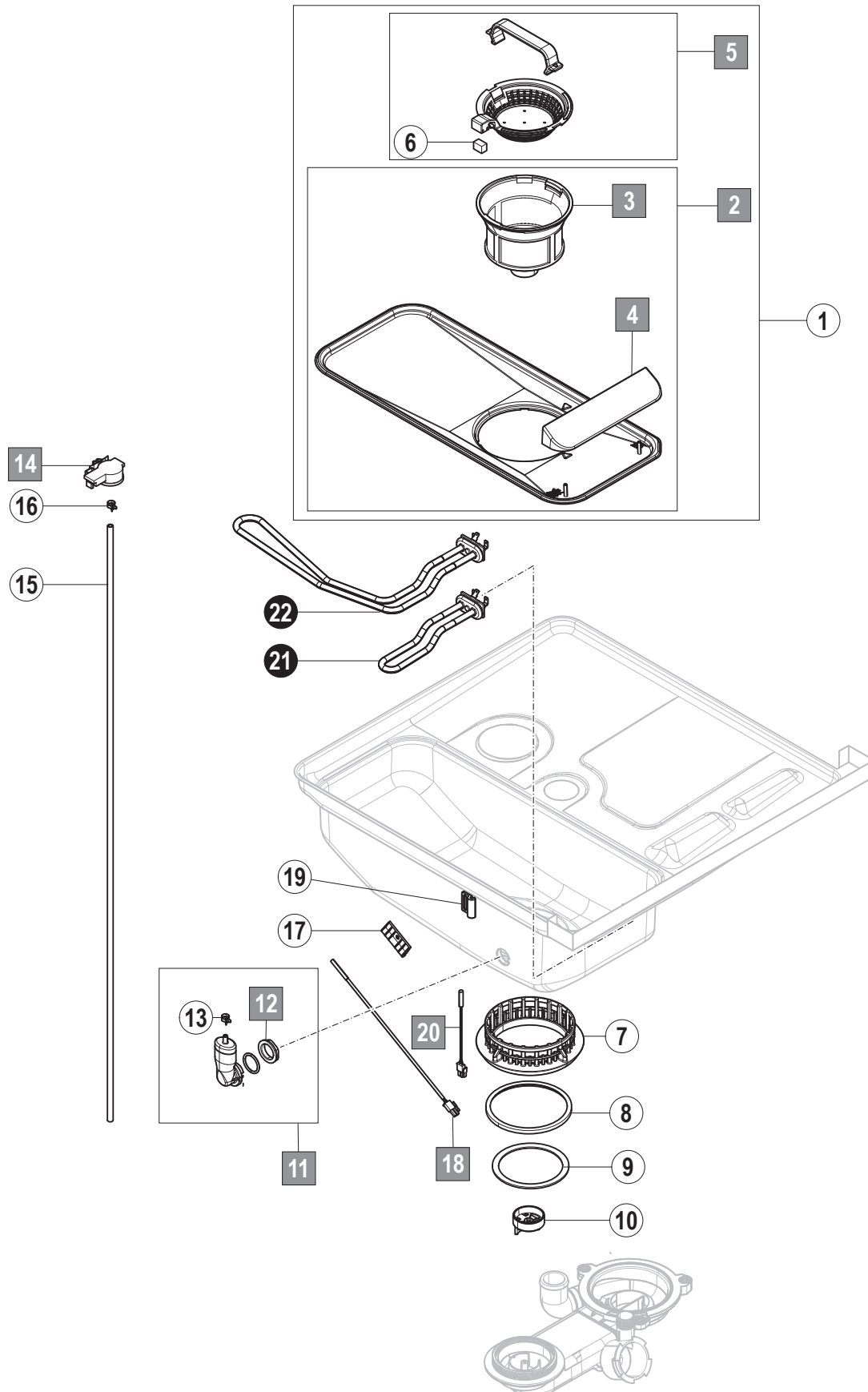


FX 06a/3

## Wash and Rinse System from Serial No. 8666 28199

Pos. no.	Part no.	Part name	Remarks
1	01-515212-001	Riser, compl.	all except GX-C
	01-515212-002	Riser, compl.	GX-C only
2	01-515160-001	Riser	all except GX-C
	01-515285-001	Riser	GX-C only
3	01-515205-001	Hose	
4	00-324071-001	T-piece	
5	01-515206-001	Hose	all except GX-C
	01-515248-001	Hose	GX-C only
6	01-515204-001	Hose	all except GX-C
	01-515247-001	Hose	GX-C only
7	00-324510-202	wire hose clamp	
8	01-324510-327	wire hose clamp	
9	01-515111-001	Wash arm, compl.	
10	01-515356-001	Sealing ring	
11	01-515447-001	Spare parts kit rinse- and wash system	
12	01-539620-001	Rinse arm assembled	
13	01-539034-001	Axle	
14	01-515112-001	Separating nut	
15	00-172986-019	Sealing	
16	01-515434-001	Orifice plate	
17	01-240164-001	Spring band clamp	
18	00-323945-049	Screw terminal	
19	00-323945-046	Screw terminal	

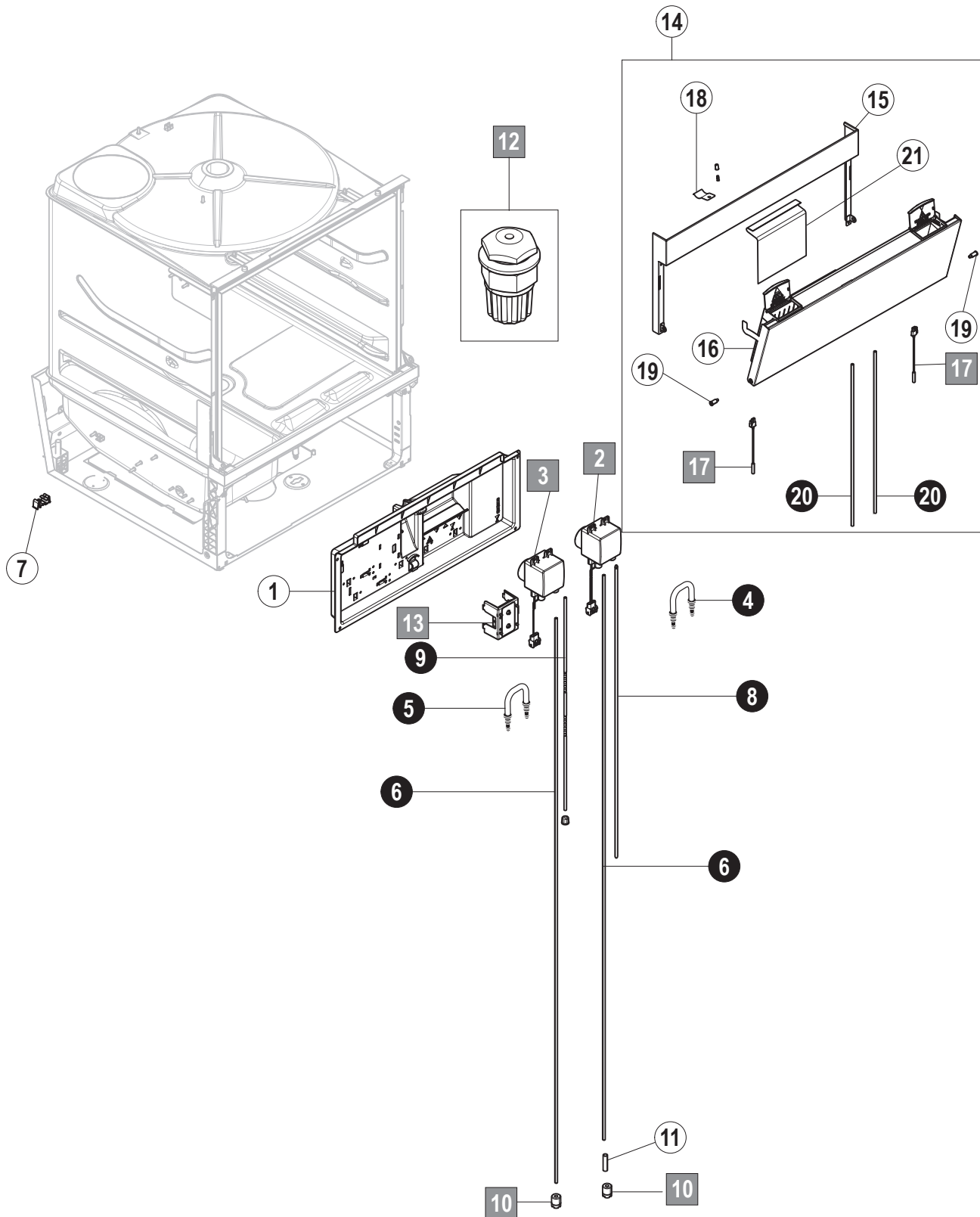
### 8. Tank and Filter System



FX 07a

Pos. no.	Part no.	Part name	Remarks
1	01-515016-001	PROFI strainer system	PROFI only
	01-515016-002	PREMAX strainer system	PREMAX ONLY
2	01-515130-001	PROFI strainer, compl.	PROFI only
	01-515130-002	PREMAX strainer, compl.	PREMAX ONLY
3	01-515129-001	Fine strainer	
4	01-240085-001	Deflector	PREMAX ONLY
5	01-515133-001	Strainer basket, compl.	
6	01-515145-001	Magnet	
7	01-515055-001	Nut, suction	
8	01-240296-001	Supporting ring	
9	01-240178-001	Sealing	
10	01-240395-001	Flipper	
11	01-515334-001	Air chamber, replacement kit	
12	00-324384-000	Nut	
13	01-246214-003	Spring band clamp	
14	00-775866-202	Pressure transmitter	
15	00-324402-007	Hose	
16	01-246214-003	Spring band clamp	
17	01-297719-001	Bracket temperature sensor	
18	00-775612-001	Temperature sensor	
19	01-515259-001	Bracket gas reed switch	
20	01-515276-001	Reed switch	
21	01-240247-001	Radiator	except all GX-10A + GP(S)
22	01-515161-001	Radiator	GX-10A + GP(S) only

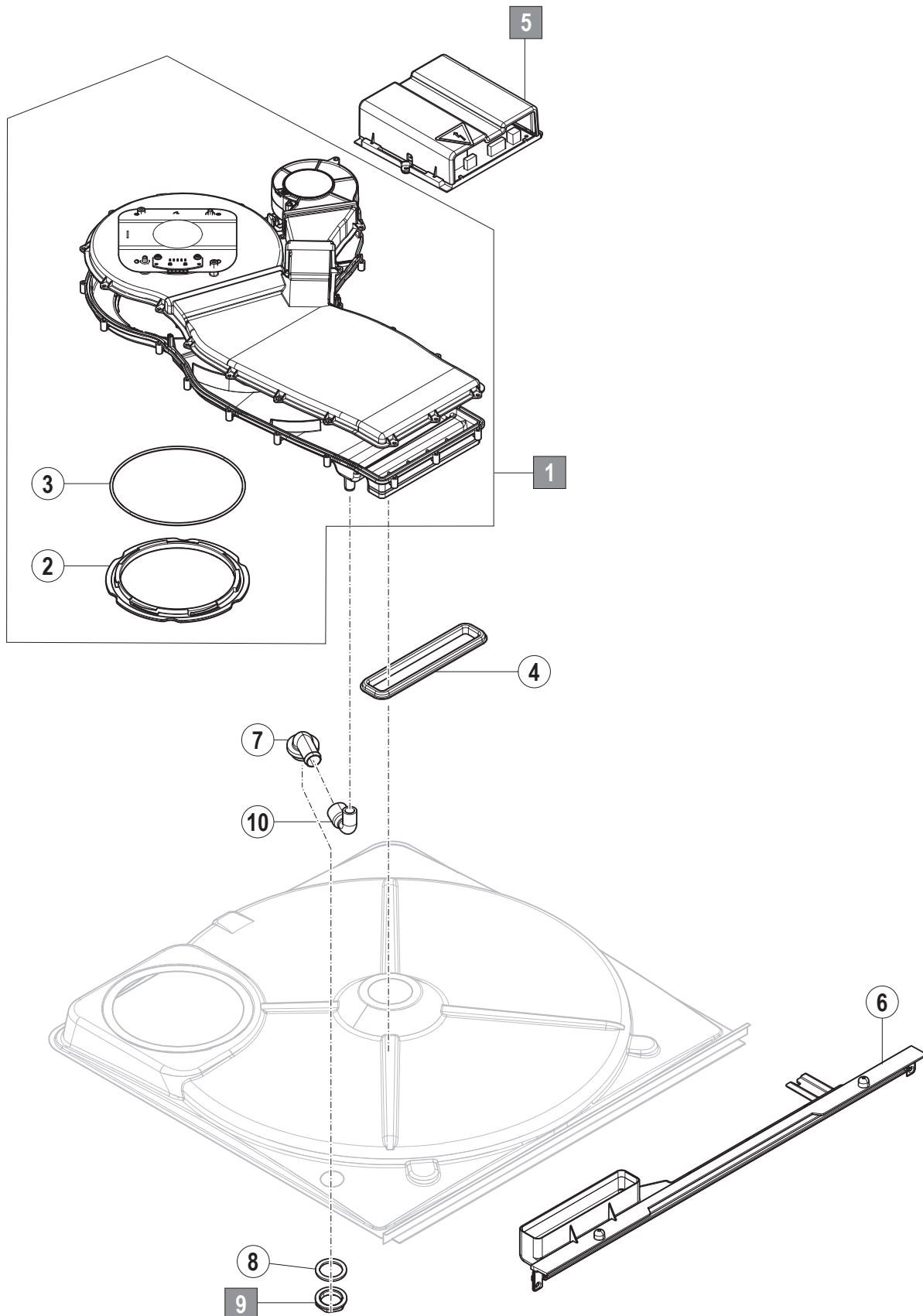
### 9. Detergent/Rinse aid



FX 08

Pos. no.	Part no.	Part name	Remarks
1	01-515295-001	Electrical cover	
2	01-515268-001	Dosing unit rinse aid	PREMAX ONLY
	01-515269-006	Dosing unit rinse aid	PROFI only
3	01-515268-002	Dosing unit detergent	
4	01-515268-011	Spare parts kit mill hose rinse aid	PREMAX ONLY
	00-775608-003	Spare parts kit mill hose rinse aid	PROFI only
5	01-515268-012	Spare parts kit mill hose detergent	
6	01-246301-001	Suction hose	
	01-515410-001	Suction hose	FX-90A only
7	01-515242-001	Hose guidance rail	
8	01-246301-018	Pressure hose rinse aid	
	01-515410-018	Pressure hose rinse aid	FX-90A only
9	01-515436-001	Pressure hose detergent, replacement kit	
	01-515410-007	Pressure hose detergent	FX-90A only
10	00-775239-001	Suction piece	
11	01-246210-001	Hose shell, blue	
12	00-883676-001	Spare parts kit dosing nipple	
13	01-294204-001	Chemical deficiency sensor	
14	01-515190-001	Measuring tank add-on kit	
15	01-515194-001	Front frame	
16	01-515170-001	Front lid with container	
17	01-515276-002	Reed switch	
18	01-240764-001	Flat spring	Cable color red
19	01-240151-001	Door bolt	
20	01-246301-013	Suction hose	
21	01-240283-003	Protective sheet	

## 10. Dryer

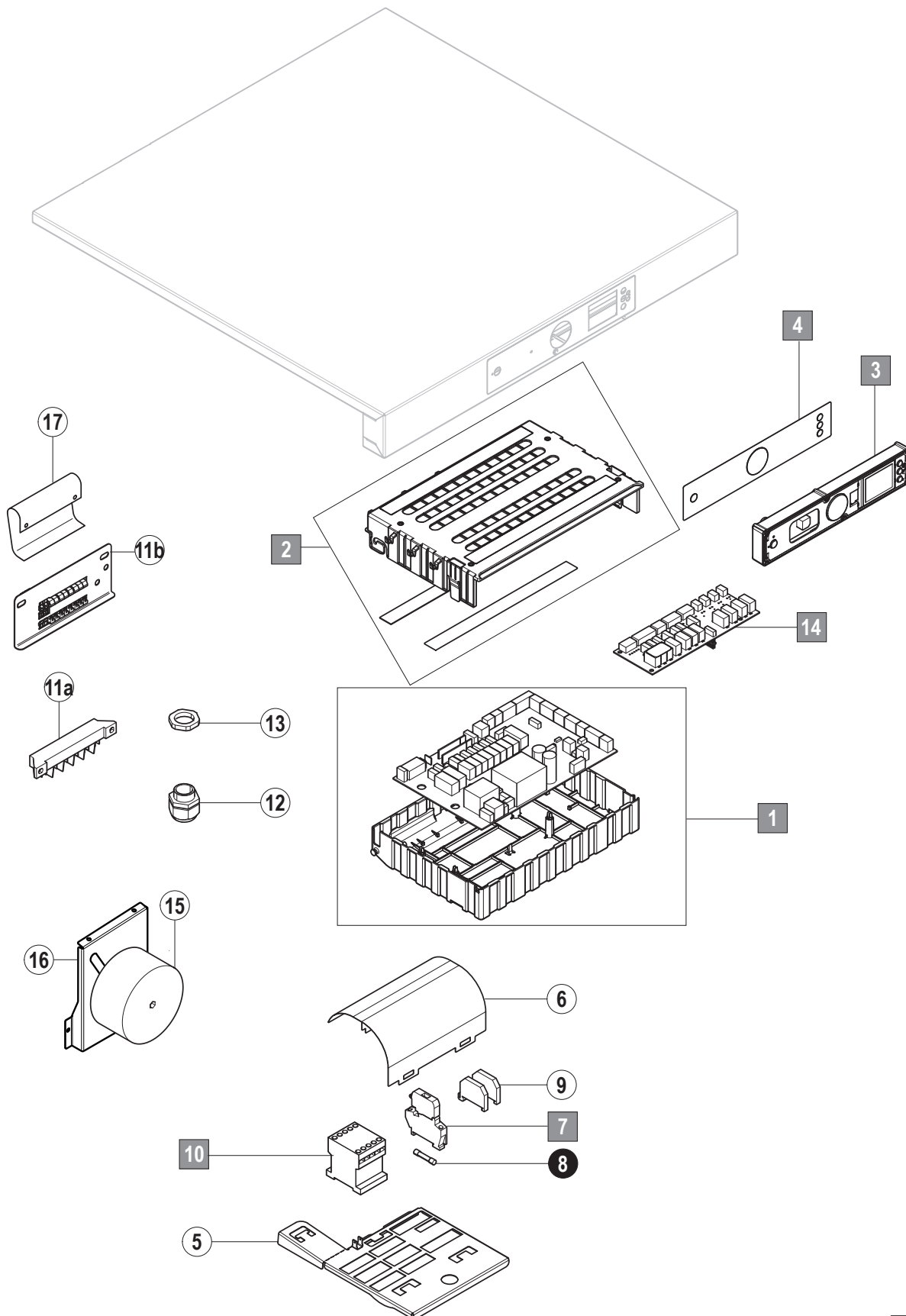


FX 09



Pos. no.	Part no.	Part name	Remarks
1	01-515061-001	Fan unit, compl.	
2	01-240267-001	Bayonet nut	
3	01-240272-001	Sealing	
4	01-240121-001	Sealing pipe cover plate	
5	01-240262-001	Fan unit, compl.	
6	01-515056-001	Outlet nozzle drying	
7	00-324097-000	Filler piece	
8	00-775305-001	Sealing	
9	00-324384-000	Nut	
10	01-240324-001	Hose	

11. Control



Pos. no.	Part no.	Part name	Remarks
1	01-515340-001	Spare parts kit control system	
2	01-515252-001	Spare parts kit outer casing	
3	01-515040-001	Operating and display unit	
4	01-515045-001	PROFI film keypad	PROFI only
	01-515046-001	PREMAX film keypad	PREMAX ONLY
	01-515304-001	BÄKOLINE film keypad	FXLSBÄKO-10A
5	01-515274-001	Mounting plate, contactor	
6	01-515294-001	Protective sheet	
7	00-775548-001	Fuse clip and disconnect terminal	
8	00-775570-001	Fuse	
9	00-323981-001	End clamp	
10	00-695521-062	Contactor	
11a	00-774055-001	Connection block	
11b	01-510477-001	Clamping plate	FX(L)-80A/81A only
12	00-695661-004	Cable fitting	
13	00-695664-004	Counter nut	
14	01-515051-001	Expansion board	Models with softener only
15	00-775618-001	Transformer	FX(L)-80A/81A only
16	01-515307-001	Bracket transformer	FX(L)-80A/81A only
17	01-240283-002	Protective sheet	

**HOBART GmbH**

Robert-Bosch-Str. 17  
77656 Offenburg  
Deutschland  
Tel.: +49 (0)781.600-0  
Fax: +49 (0)781.600-23 19  
E-Mail: [info@hobart.de](mailto:info@hobart.de)  
Internet: [www.hobart.de](http://www.hobart.de)

**HOBART Export**

Robert-Bosch-Str. 17  
77656 Offenburg  
Germany  
Phone: +49 (0)781.600-2820  
Fax: +49 (0)781.600-2819  
E-Mail: [info-export@hobart.de](mailto:info-export@hobart.de)  
Internet: [www.hobart-export.com](http://www.hobart-export.com)

**Hobart UK.**

Southgate Way,  
Orton Southgate,  
Peterborough  
PE2 6GN  
United Kingdom  
Tel.: +44 (0)844 888 7777  
Republic of Ireland: +353 (0)1246 0248  
Fax: +44 (0)1733 361 347  
E-mail: [part.sales@hobartuk.com](mailto:part.sales@hobartuk.com)  
Internet: [www.hobartuk.com](http://www.hobartuk.com)

**Compagnie HOBART SAS**

Allée du 1er mai  
77183 Croissy Beaubourg  
FRANCE  
Tel: +33 (0)1 64 11 60 00  
Fax: +33 (0)1 64 11 60 10  
E-mail: [contact@hobart.fr](mailto:contact@hobart.fr)  
Internet: [www.hobart.fr](http://www.hobart.fr)

**Hobart Nederland BV**

Pompmolenlaan 12  
3447 GK Woerden  
Telefoon +31 (0)348 462626  
Fax: +31 (0)348 430117  
E-mail: [info@hobartnederland.nl](mailto:info@hobartnederland.nl)  
Internet: [www.hobartnederland.nl](http://www.hobartnederland.nl)

**Hobart Foster Belgium bvba/sprl**

Industriestraat 6  
1910 Kampenhout  
Telefoon +32 (0) 16.60.60.40  
Fax +32 (0) 16.60.59.88  
E-mail: [info@hobart.be](mailto:info@hobart.be)  
Internet: [www.hobart.be](http://www.hobart.be)

**Hobart Norge**

Gamle Drammenvei 120  
N-1363 Høvik  
Tlf.: +47-67109800  
E-post: [post@hobart.no](mailto:post@hobart.no)  
Hjemmeside: [www.hobart.no](http://www.hobart.no)

**Hobart Scandinavia ApS**

Håndværkerbyen 27  
2670 Greve  
Danmark  
Tlf.: +45 4390 5012  
Fax.: +45 4390 5002  
E-mail: [salg@hobart.dk](mailto:salg@hobart.dk)  
Internet: [www.hobart.dk](http://www.hobart.dk)

**Hobart Sweden/Finland**

Tel: +46 8 584 50 920  
E-mail: [info@hobart.se](mailto:info@hobart.se)  
Internet: [www.hobart.se](http://www.hobart.se)

**Australia****Hobart Food Equipment**

Unit 1 / 2 Picken Street,  
Silverwater NSW, 2128  
Tel: +61 1800 462 278  
Fax: +61 02 9714 0222  
E-mail: [sales@hobartfood.com.au](mailto:sales@hobartfood.com.au)  
Internet: [www.hobartequipment.com.au](http://www.hobartequipment.com.au)

**HOBART China**

15th Floor, Building A  
New Caohejing International Business  
Center  
391 Gui Ping Road  
Shanghai, 200233  
Telephone: +86 (0)21 34612000  
Fax: +86 (0)21 34617166  
Internet: [www.hobartchina.com](http://www.hobartchina.com)