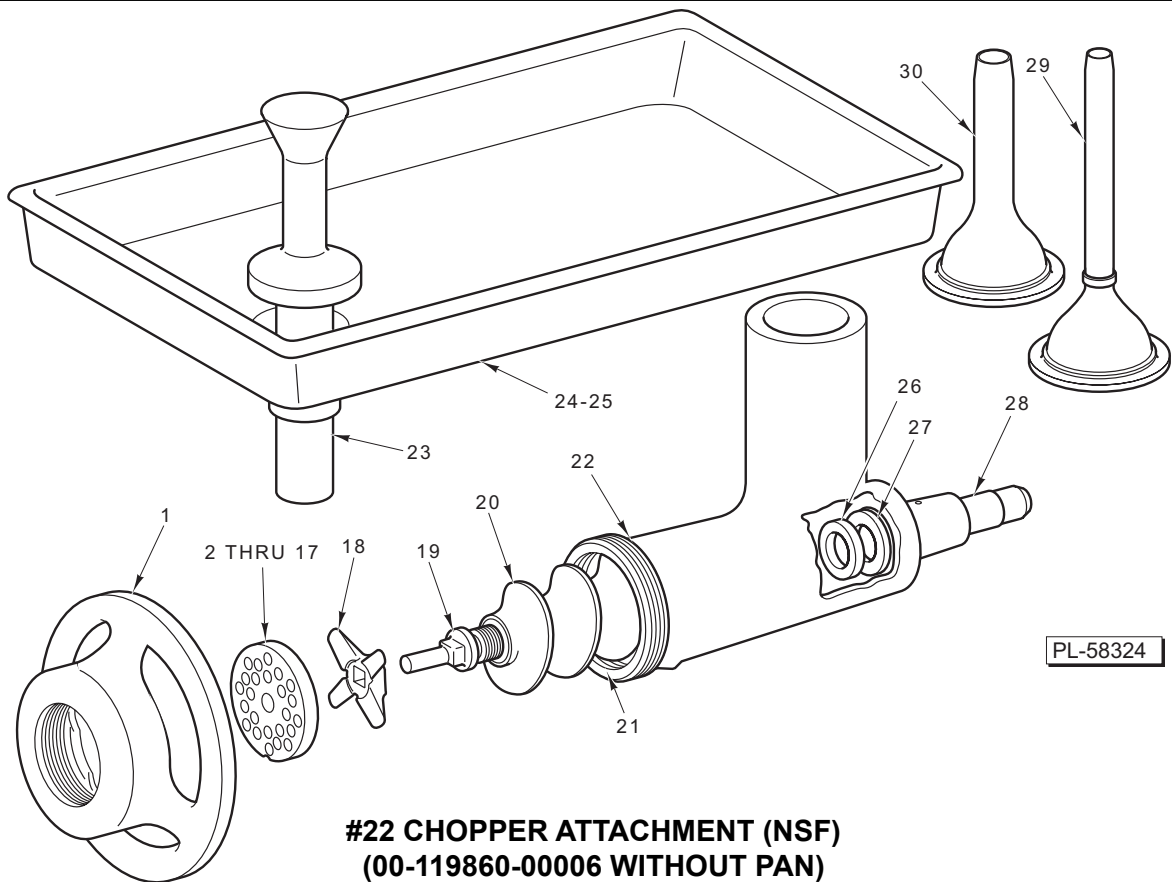




ATTACHMENT REPLACEMENT PARTS

A product of HOBART 701 S. RIDGE AVENUE TROY, OHIO 45374-0001



PL-58324

#22 CHOPPER ATTACHMENT (NSF) (00-119860-00006 WITHOUT PAN)

ILLUS.	PART NO.	NAME OF PART	AMT.
PL-58324			
1	00-077643-00002	Ring – Adjusting (Tinned).....	1
2	00-016430-00001	Chopper Plate (1/8 In. Dia. Holes) (Carbon Steel).....	1
3	00-016431-00001	Chopper Plate (3/16 In. Dia. Holes) (Carbon Steel).....	1
4	00-016432-00001	Chopper Plate (1/4 In. Dia. Holes) (Carbon Steel).....	1
5	00-016433-00001	Chopper Plate (3/8 In. Dia. Holes) (Carbon Steel).....	1
6	00-016434-00001	Chopper Plate (1/2 In. Dia. Holes) (Carbon Steel).....	1
7	00-103969-00001	Chopper Plate (5/8 In. Dia. Holes) (Carbon Steel).....	1
8	00-016436-00001	Chopper Plate (3/4 In. Dia. Holes) (Carbon Steel).....	1
9	00-016437-00001	Chopper Plate (15/16 In. Dia. Holes) (Carbon Steel).....	1
10	00-016430-00002	Chopper Plate (1/8 In. Dia. Holes) (Stay Sharp).....	1
11	00-016431-00002	Chopper Plate (3/16 In. Dia. Holes) (Stay Sharp).....	1
12	00-016432-00002	Chopper Plate (1/4 In. Dia. Holes) (Stay Sharp).....	1
13	00-016433-00002	Chopper Plate (3/8 In. Dia. Holes) (Stay Sharp).....	1
14	00-016434-00002	Chopper Plate (1/2 In. Dia. Holes) (Stay Sharp).....	1
15	00-103969-00002	Chopper Plate (5/8 In. Dia. Holes) (Stay Sharp).....	1
16	00-016436-00002	Chopper Plate (3/4 In. Dia. Holes) (Stay Sharp).....	1
17	00-016437-00002	Chopper Plate (15/16 In. Dia. Holes) (Stay Sharp).....	1
18	00-290372	Knife – Chopper (Stay Sharp).....	1
19	00-015880	Stud – Plate.....	1
20	00-015881	Worm Assy. (Incls. Items 19, 26, & 28).....	1
21	00-122983	Pin – Plate.....	1
22	00-119760-00001	Chopper Cylinder Assy. (Tinned) (Incls. Items 21 & 27).....	1
23	00-119922-00001	Feed Stomper.....	1
24	00-122555	Pan – Feed (Rectangular).....	1
25	00-117901	Pan – Feed (Round) (Not Shown).....	1
26	00-004221	Washer – Worm Thrust.....	1
27	00-004839-00001	Washer – Cylinder Thrust.....	1
28	00-007201	Stud – Square Drive.....	1
29	00-295184	Stuffer – Sausage (Sheep Casing) (Packaged).....	1
30	00-295182	Stuffer – Sausage (Hog Casing) (Packaged).....	1