

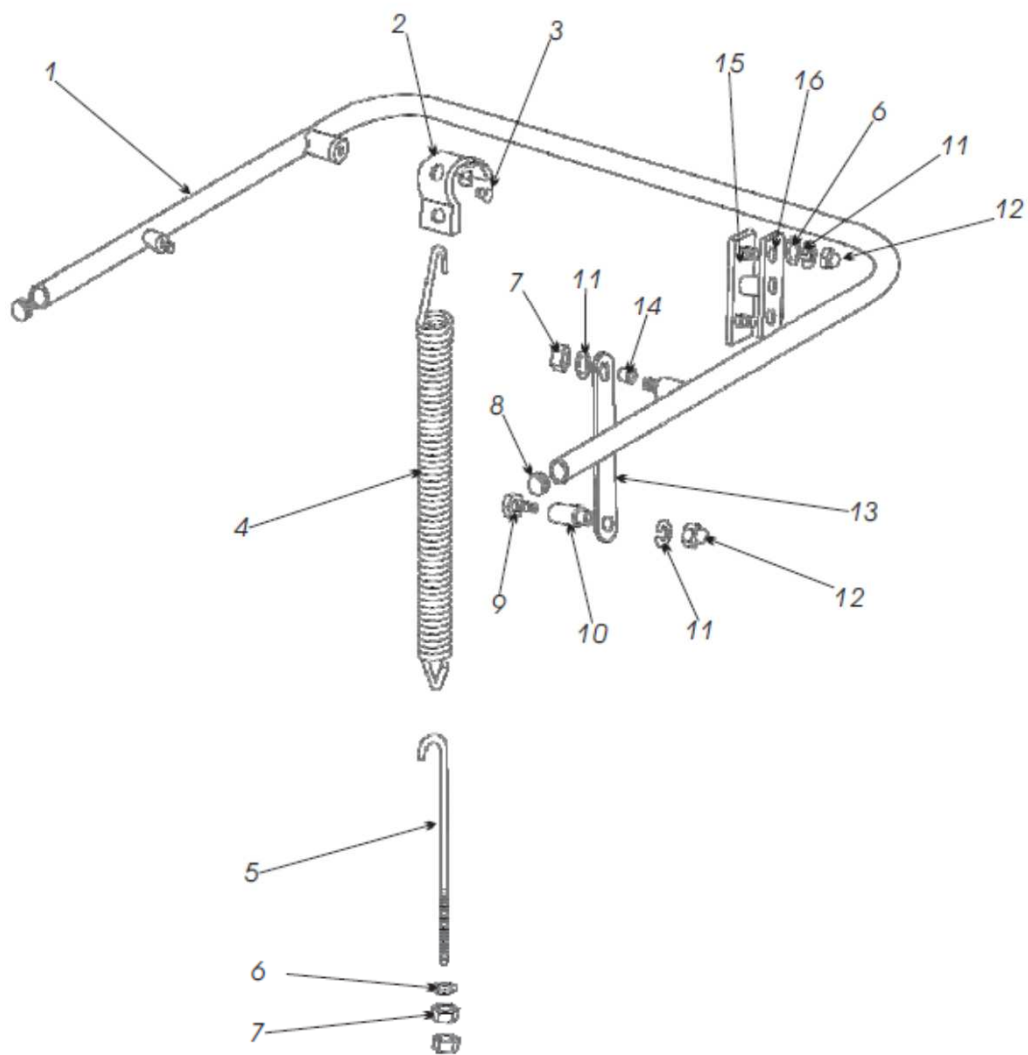
# **AM3 DISHWASHER PARTS MANUAL**



HOBART FOOD EQUIPMENT CO., LTD.

FORM 743419-1-E

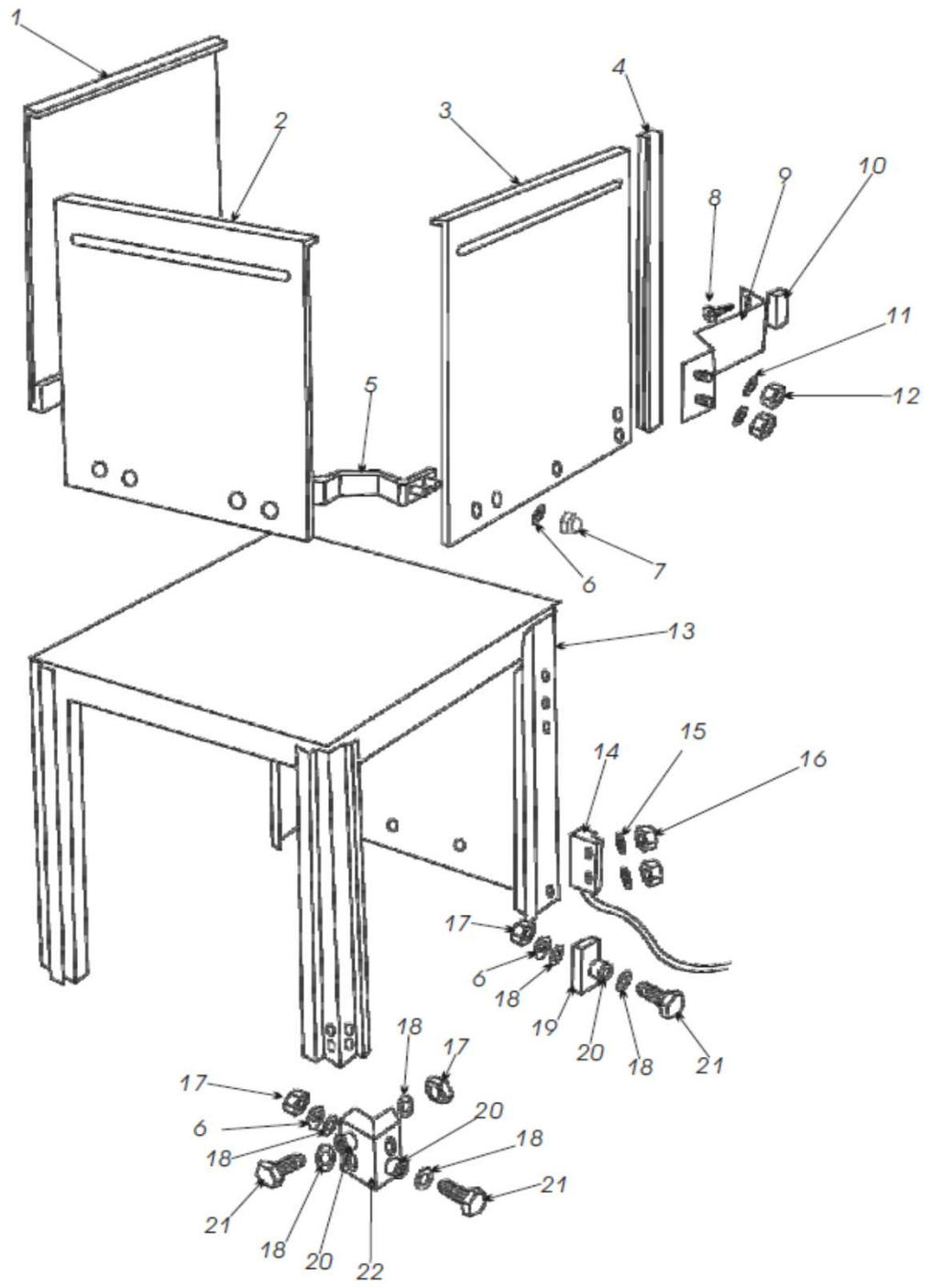
## DOOR LIFT



## DOOR LIFT

	PART NO.	NAME OF PART	AMT.
1	743251	Door lift Assy	1
2	79008	Hanger-Spring	2
3	119055	Button-Bearing	4
4	743258	Spring	2
5	743282	Hook- Spring	2
6	WS-M8	Washer M8	34
7	NS-M8	Nut M8	20
8	474831	Plug-Handle	2
9	SCH-M8-35	Bolt M8*35	4
10	119046	Pin- Door Lift	2
11	WL-M8	Lock Washer M8	24
12	NC-M8	Nut M8 Crown	14
13	119011	Link- Door	2
14	74068	Spacer- Door	2
15	743268	Bearing Bracket &Pin Assy	2
16	473432	Gasket- Door Lift	2

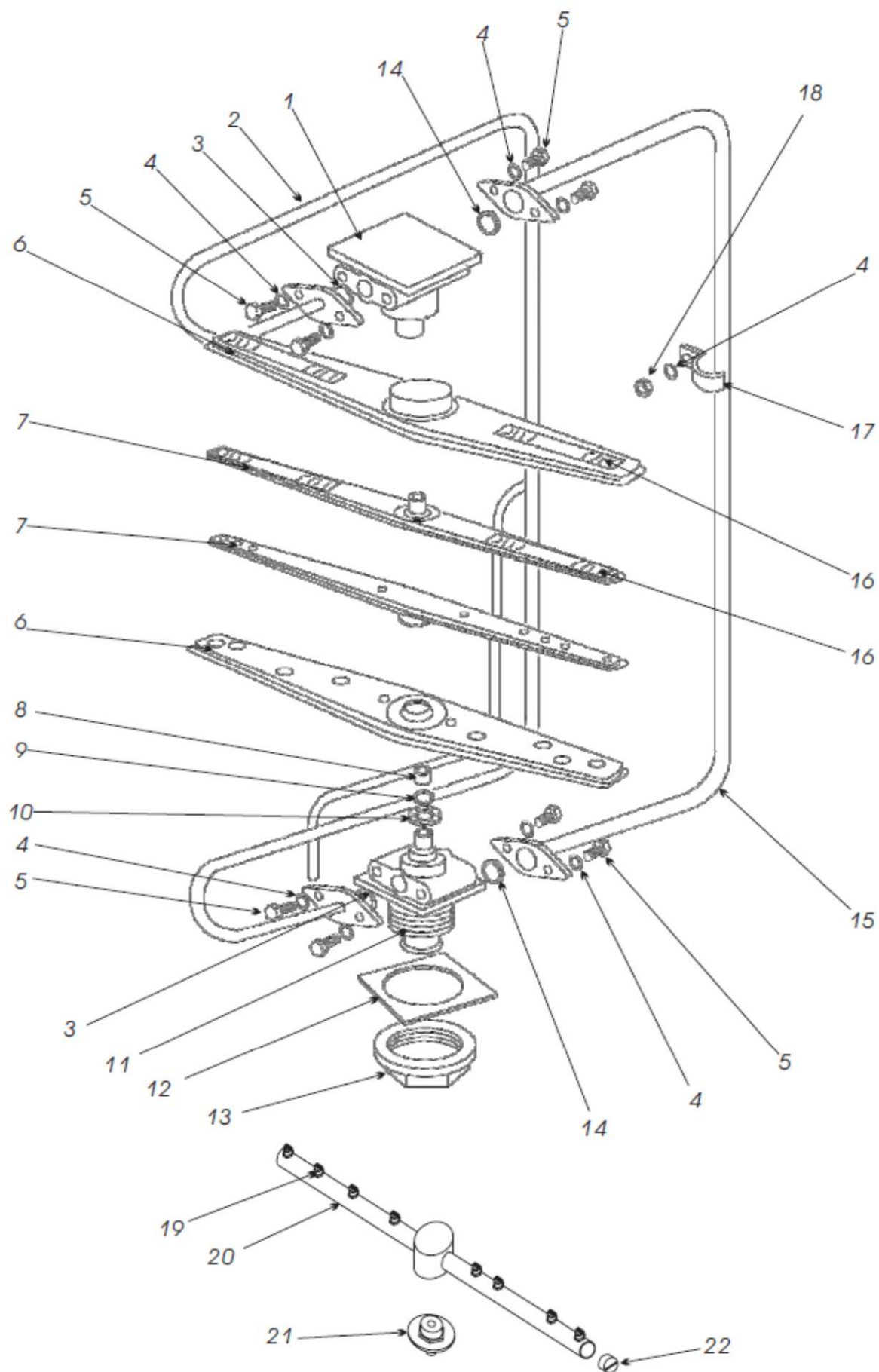
# WASH CHAMBER AND DOORS



## WASH CHAMBER AND DOORS

	PART NO.	NAME OF PART	AMT.	Full Price / Unit
1	743256	Door - Left	1	6,880
2	743250	Door-Front	1	6,900
3	743257	Door-Right	1	6,880
4	00-112378-00023	Guide_Door	7	410
5	743305	Bracket-Door Lift	2	1,480
6	WL-M8	Lock washer M8	24	470
7	NC-M8	Nut M8 Crown	14	470
8	SDT-M3-12	Bolt-Self Screw M3x12	9	470
9	743368	Bracket-Magnet	1	730
10	743269	Magnet	1	900
11	WL-M6	Lock Washer 6	12	470
12	NS-M6	Nut M6	20	470
13	743252	Chamber	1	26,930
14	743271	Reed Switch-Door	1	1,330
15	WS-M3	washer 3	2	470
16	NS-M3	Nut M3	2	470
17	NS-M8	Nut M8	20	470
18	WS-M8	washer 8	34	470
19	743316	Insert-Tank Corner(Rear)	2	720
20	743306	Space-Tank&chamber	6	530
21	SCH-M8-25	Bolt M8x25	10	500
22	743307	Insert-Tank Corner(Front)	2	670
23	743382	Air Scoop	1	860
24	743382-3	Enclosure panel	1	780
25	743382-4	Weight Stack	2	630
26	SCT-M5-10	Screw M5*10	1	470
27	NL-M5	Nut M5	1	470

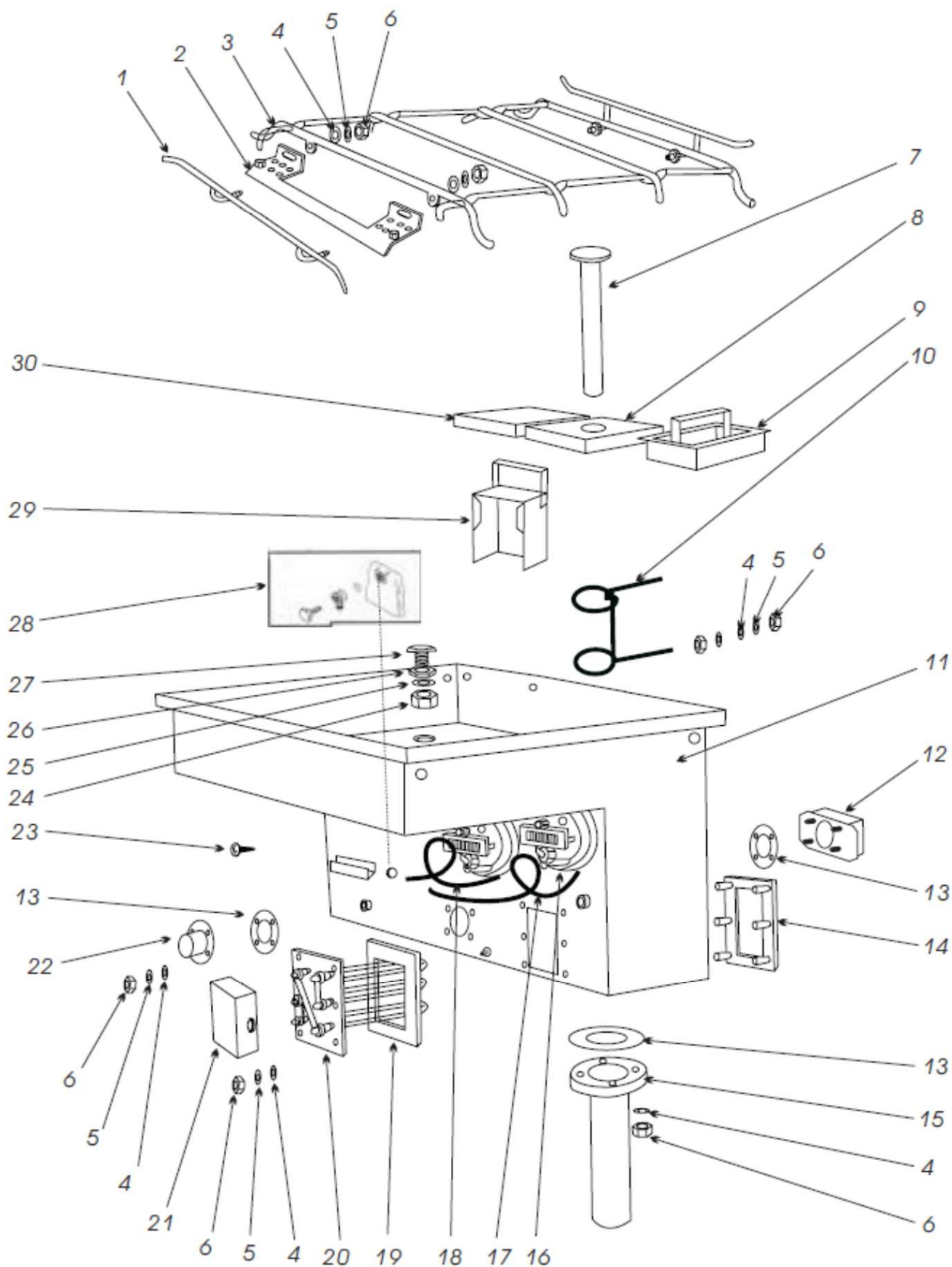
# WASH AND RINSE SYSTEM



## WASH AND RINSE SYSTEM

	PART NO.	NAME OF PART	AMT.
1	743275	Upper Manifold/Shaft Assy	1
2	743260	Rinse Piping Assy	1
3	00-067500-00006	"O" Ring 12.5*2.65	4
4	WL-M6	Lock Washer M6	20
5	SCH-M6-15	Bolt M6*15	12
6	00-474681	Wash Arm Assy	2
7	00-474679	Rinse Arm Assy	2
8	743308	Spacer- Wash Arm	1
9	RR-011-03	Retaining Ring	1
10	743309	Throttle Plate	1
11	743399	Lower Manifold/Shaft Assy	1
12	743450	Gasket- Manifold	1
13	473460	Nut- Manifold	1
14	00-067500-00010	"O" Ring 22.4*3.55	3
15	743264	Wash Piping Assy	1
16	00-474674	Cleaning Plug	4
17	743263	Clamp- Wash Piping	1
18	NS-M6	Nut M6	20
19	743446-1S	Rinse Nozzle	16
20	743446	Rinse Arm- Piping	2
21	00-473637	Ball Bearing Assy	2
22	743446-3	End Cap- Rinse Arm	4

# WASH TANK

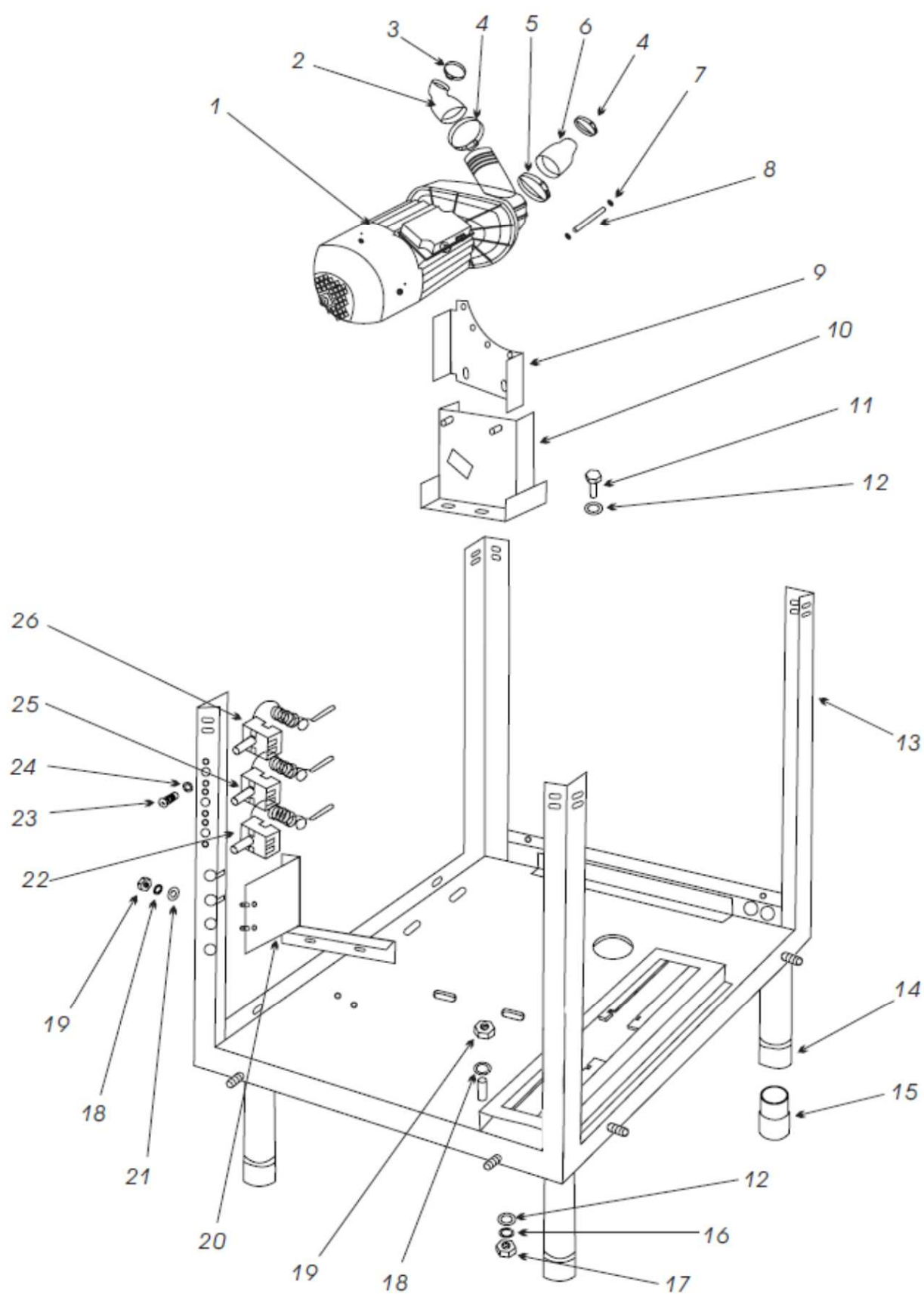




# WASH TANK

	PART NO.	NAME OF PART	AMT.
1	743295	Track- Side Rail	2
2	743270	Plate- Splash Protection	1
3	743265	Track- Rack	1
4	WS-M6	Washer M6	75
5	WL-M6	Lock Washer M6	54
6	NS-M6	Nut M6	55
7	743302	Overflow Pipe	1
8	743297	Strainer Pan- Right	1
9	743298	Strainer Basket	1
10	743274	Support- Overflow Pipe	1
11	743272	Tank	1
12	743262	Inlet- Wash Pump	1
13	473983	Gasket- Drain	3
14	743279	Plate- Heater Mounting	1
15	743304	Piping- Drain	1
16	00-231981-001	Pressure Switch	2
17	324402-000	Pressure Switch Tube- Long	1
18	324402-00	Pressure Switch Tube- Short	1
19	743312	Gasket- Heater	3
20	743278-2	3 kW Tank Heater (For 380/50/3, 220/60/1)	1
	743278-3	5 kW Tank Heater (For 220/60/1, 380/50/3)	
	743278-4	3 kW Tank Heater (For 200/50/3, 200/60/3)	
21	743313	Cover- Heater Terminal	3
22	743359	Inlet Tube- Wash Pump	1
23	SDT-M3-12	Bolt- Self Screw M3*12	9
24	743293	Nut- Sealed	2
25	00-067500-00006	"O" Ring 12.5*2.65	4
26	743292	Nut- Plug & Tube	1
27	743291	Screw- Sealed	1
28	00-324858-000	Air Chamber	1
29	743277	Strainer- Pump Intake	1
30	743296	Strainer Pan- Left	1

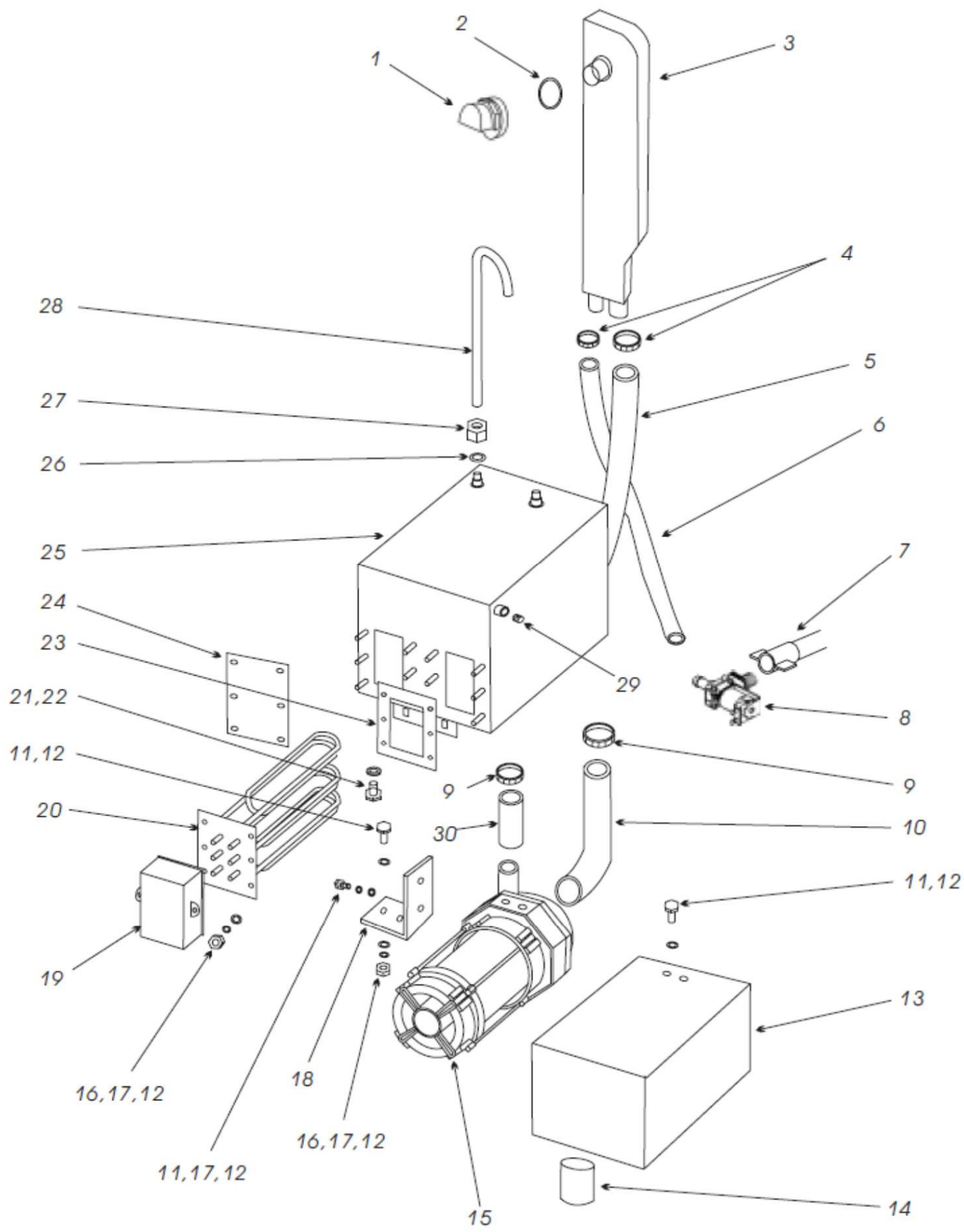
## LOWER FRAME ASSEMBLY



## LOWER FRAME ASSEMBLY

	PART NO.	NAME OF PART	AMT.
1	743388	Wash Pump	1
2	743317	ElbowPipe-Wash Pump Outlet	1
3	538412	Clamp-70mm	3
4	542337	Clamp-60mm	2
5	743315-1	Clamp-75	1
6	743396	Hose Adapter-WashPump Inlet	1
7	743336	Clamp12	2
8	743397	Piping-WashPump Drain	1
9	743398	Mounting Plate-WashPump	1
10	743389	Mounting Bracket-WashPump	1
11	SCH-M8-25	Bolt M8x25	12
12	WS-M8	Washer M8	44
13	743254	Frame	1
14	743255	Foot-Adjustable 2"	4
15	743447	Extended Led	4 (Option)
16	WL-M8	WASHER,LOCK,HELICAL8	28
17	NS-M8	Nut M8	20
18	WL-M6	LockWasher M6	54
19	NS-M6	Nut M6	55
20	743386	Mounting Bracket-Booster	1
21	WS-M6	Washer M6	75
22	743310-1	Thermostat 82°C	1
23	SCT-M4-6	Screw M4x6	4
24	WS-M4	Washer M4	4
25	743310	Thermostat 70°C	1
26	7112001	Thermostat 86C	1

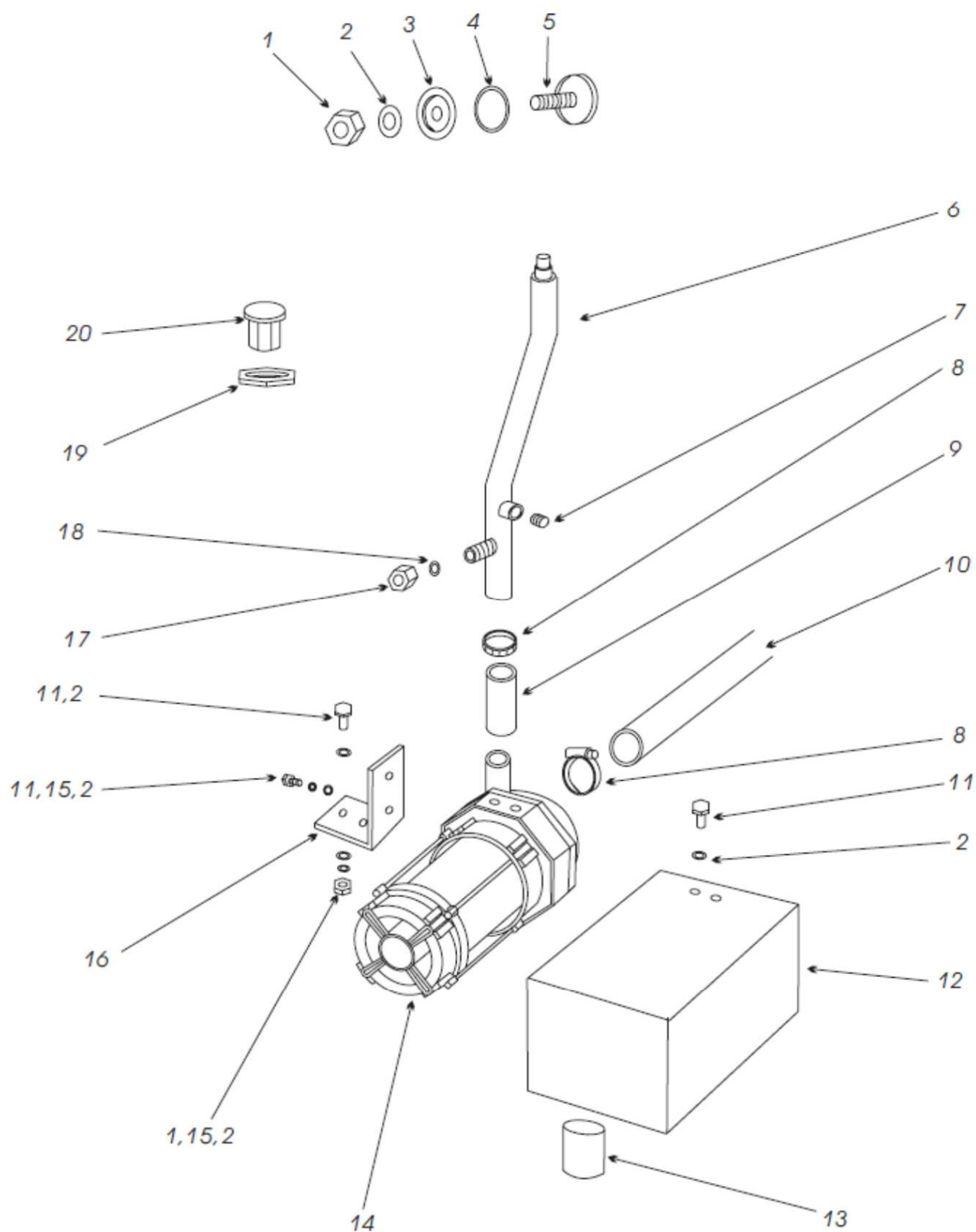
# WATER INLET AND BOOSTER



## WATER INLET AND BOOSTER

	PART NO.	NAME OF PART	AMT.
1	324183	Nut-Inner	1
2	00-067500-00010	"O" Ring 22.4*3.55	3
3	00-886641-000	Back Flow Trap	1
4	743315	Clamp- Hose 25mm	4
5	743430	Hose- Outlet	1
6	743440	Hose- Inlet	1
7	00-324088-001	Fill Hose	1
8	00-324207-001	Inlet Valve (For 380/50/3, 220/50/3, 220/50/1, 220/60/3, 220/60/1)	1
9	743439	Clamp -Hose 35mm	4
10	743435	Hose- Rinse Pump Inlet	1
11	SCH-M6-15	Bolt M6*15	20
12	WS-M6	Washer M6	75
13	743437	Cover- Rinse Pump	1
14	743436	Capacitor- Rinse Pump (450V/5uf)	1
15	324093-21V	Rinse Pump (270W Single Phase For 380/50/3 , 200/50/3,220/50/3,220/50/1)	1
16	NS-M6	Nut M6	55
17	WL-M6	Lock Washer M6	54
18	743387	Bracket- Rinse Pump	1
19	743313	Cover- Heater Terminal	3
20	743314	7kW Booster- Heater (For 380/50/3,220/50/3,220/60/3,220/60/1)	2
	743314-1	7kW Booster- Heater (For 200/50/3,200/60/3)	
21	SCH-M10-10	Bolt M10*10	1
22	743311	Washer-Combination M10	1
23	743312	Gasket- heater	3
24	743318	Cover- Booster Heater	1 (Option)
25	743385	Booster Tank	1
26	00-067500-00006	"O" Ring 12.5*2.65	6
27	743293	Nut- Sealed	4
28	743385-12	Booster Vent	1
29	743338	Pipe Plug 1/8"	2
30	743392	Hose- Rinse Pump Outlet	1

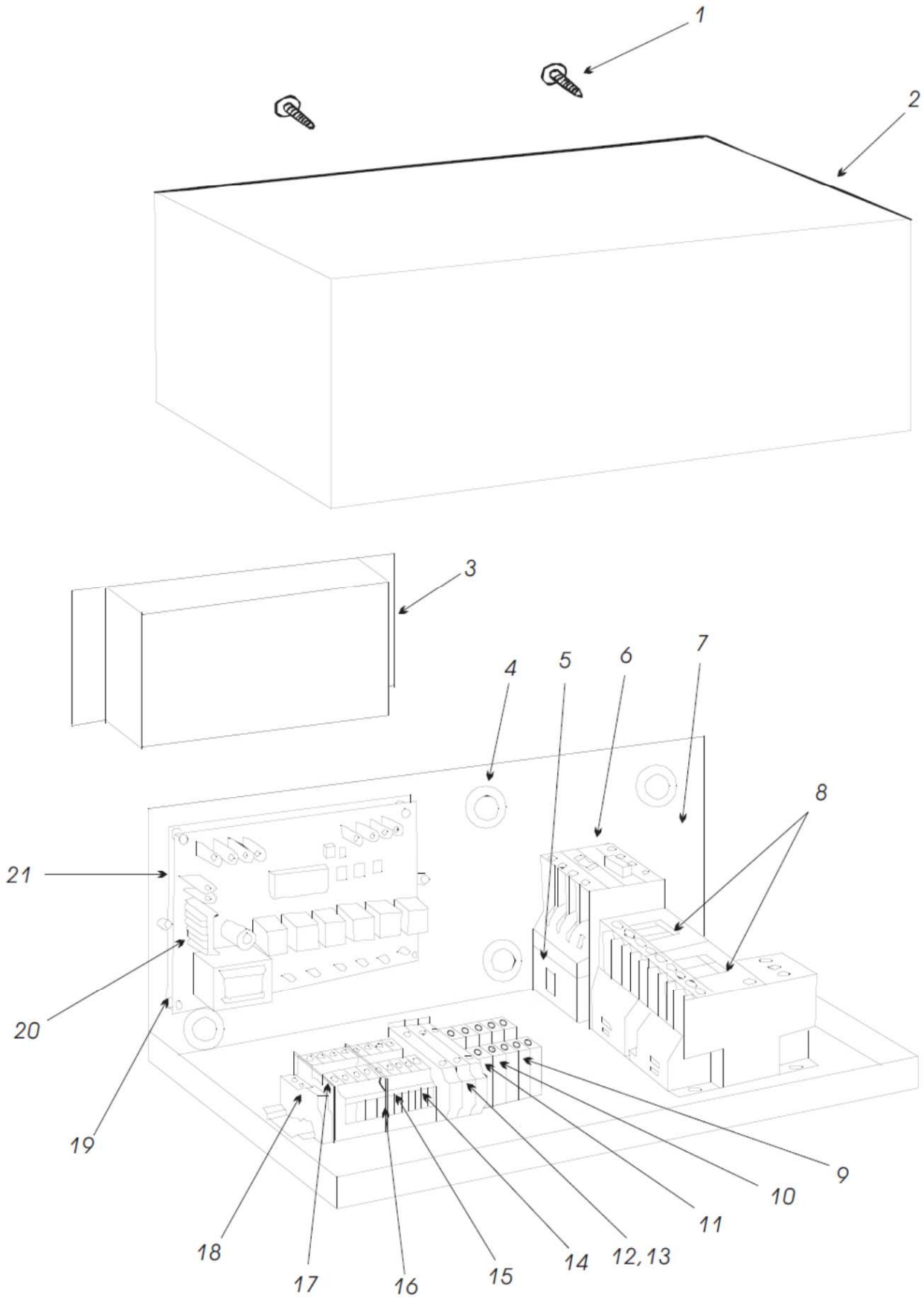
# WATER INLET (NO BOOSTER VERSION)



## WATER INLET (NO BOOSTER VERSION )

	PART NO.	NAME OF PART	AMT.
1	NS-M6	Nut M6	55
2	WS-M6	Washer M6	75
3	119254	Retainer- Cap & Stud	1
4	00-067500-00010	"O" Ring 22.4*3.55	3
5	00-119243	Cap & Stud Assy	1
6	743443	Piping- Rinse	1
7	743338	Pipe Plug 1/8"	2
8	743439	Clamp- Hose 35mm	4
9	743392	Hose- Rinse Pump Outlet	1
10	545674	Hose- Water Inlet	1
11	SCH-M6-15	Bolt M6*15	20
12	743437	Cover- Rinse Pump	1
13	743436	Capacitor- Rinse Pump (450V/5uf)	1
14	324093-21V	Rinse Pump (270W Single Phase For 380/50/3 , 200/50/3 , 220/50/3 , 220/50/1 )	1
15	WL-M6	Lock Washer M6	54
16	743387	Mounting Bracket- Rinse Pump	1
17	743444	Nut- Thermometer Sensor	1
18	743444-1	"O" Ring 6*1.8	1
19	743292	Nut- Plug & Tube	2
20	743291-1	Plug- Tank	1

# CONTROL BOX

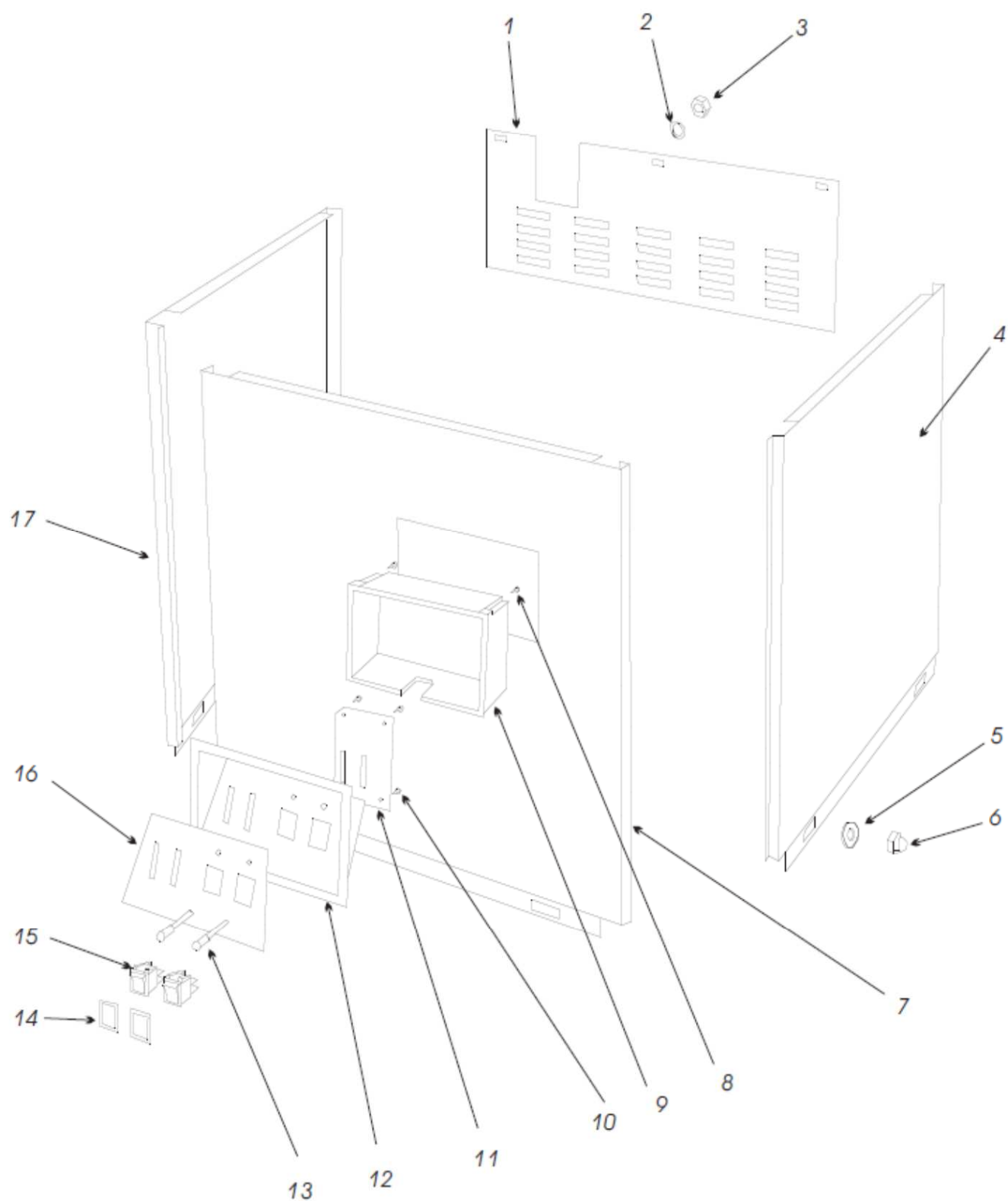




## CONTROL BOX

	PART NO.	NAME OF PART	AMT.
1	SDT-M3.9-13	Bolt-self Screw M3.9*13	2
2	743365	Cover-Control Box	1
3	743370	Hood-Contro lBoardForAM3-08/10	1
4	15260151	Gum Ring 2 15	7
5	743430	Hose-Outlet	1
6	743401	Contactora 32Amp(For380/50/3,220/60/3,220/60/1)	1
	743401-1	Contactora 32Amp(For200/50/3,200/60/3)	
7	743366	Control Box	1
8	743402	Contactora 9Amp(For380/50/3,220/60/3,220/60/1)	2
	743402-1	Contactora 9Amp(For200/50/3,200/60/3)	
9	743408	Not Longer Available	3
10	743408-1	Terminal 6N (Blue)	1
11	743406	Terminal-Ground	1
12	743405	Terminal-Fuse for AM3-08/10	3
13	743407	Fuse3A5*20	4
14	743410	Terminal 3N	5
15	743410-1	Terminal 3N	5
16	743412	Plate-Division	1
17	743411	#N/A	1
18	743413	Holder-side	2
19	743374	Supporter-Control Board	4
20	743448	Control Board-AM3	1
21	743370-1	Plate-Insulation	1

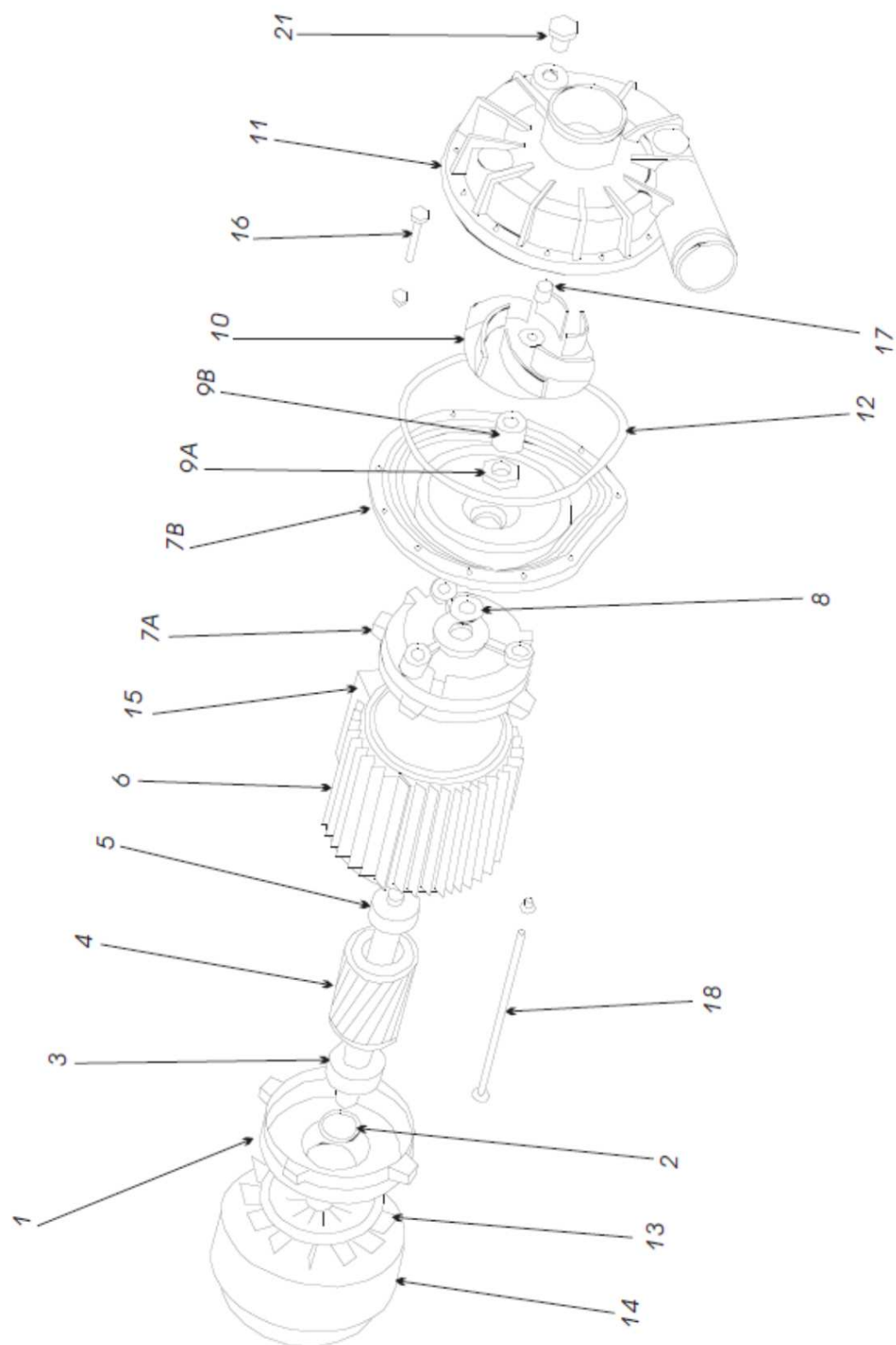
## ENCLOSURE PANELS



## ENCLOSURE PANELS

	PART NO.	NAME OF PART	AMT.
1	743281	Panel-Rear	1
2	WS-M6	Washer M6	26
3	NS-M6	Nut M6	20
4	743259	Panel-Right	1
5	WS-M5	Not Longer Available	8
6	NC-M5	Nut M5 Crown	6
7	743253	Panel-Front	1
8	SDT-M3.9-13	Bolt-self Screw M3.9*13	4
9	743426-2	Control Panel-Interior Cover	1
10	SDT-M3-12	Bolt-Self ScrewM3*12	6
11	743379-1	Thermometer	1
12	743426-1	Control Panel-Exterior Face	1
13	743432	Indicator Lights	2
14	743429	Switch	2
15	743429	Switch	2
16	743426-3	Face plate	1
17	743259-1	Panel-Left	1

# WASH PUMP



## WASH PUMP

	PART NO.	NAME OF PART	AMT.
1	743388-S1	Motor- Rear Cover	1
2	743388-S2	Compensation Ring	1
3	743388-S3	Ball Bearing	1
4	743388-S4/1	Rotor (For 220/380/50/3, 200/346/50/3)	1
	743388-S4/4	Rotor (For 240/50/1)	
5	743388-S5	Ball Bearing	1
6	743388-S6/1	Stator (For 220/380/50/3)	1
	743388-S6/2	Stator (For 200/346/50/3)	
	743388-S6/5	Stator (For 240/50/1)	
7A	743388-S7A	Moter- Front Cover	1
7B	743388-S7B	Pump Support	1
8	743388-S8	Water Protection Ring	1
9A-9B	743388-S9A/9B/I	Shaft Seal- Gasket ( ปุ่มสีเทา )	1
9A-9B	743388-S9A/9B	Shaft Seal- Gasket ( ปุ่มสีดำ )	1
10	743388-S10	Impeller (For 50 Hz)	1
11	743388-S11	Pump Housing	1
12	743388-S12	Gasket	1
13	743388-S13	Fan	1
14	743388-S14	Fan Cover	1
15	743388-S15	Terminal Box Cover	1
16	743388-S16	Pump Housing Screw	11
17	743388-S17	Impeller Nut	1
18	743388-S18	Shaft- Screw	4
21	743388-S21	Cap M12	1

\*\* The completed set of wash pump : part number 743388 ( page 10 )