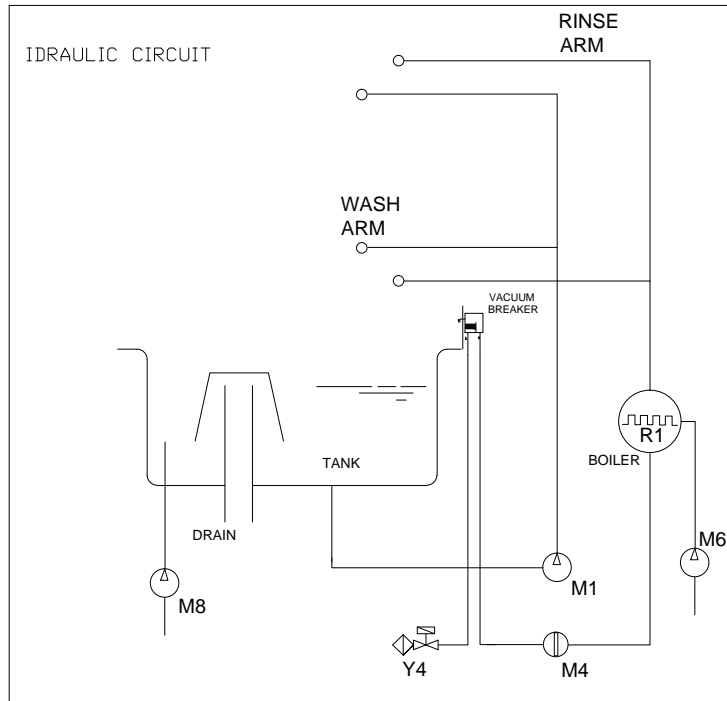
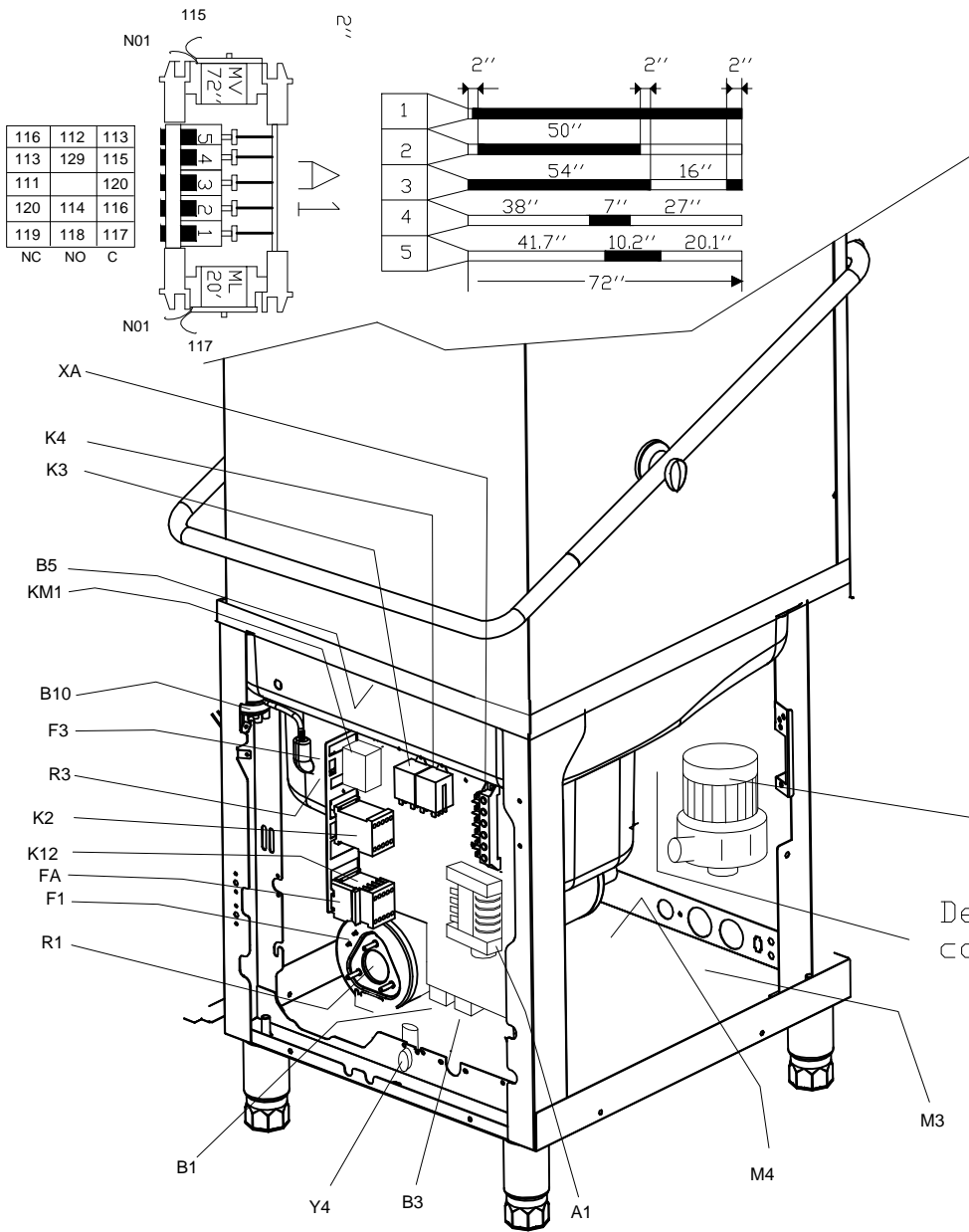


X1	106	108	103	THERMOSTOP ON
X1	106	108	103	THERMOSTOP OFF

OPTION

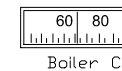
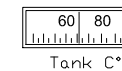
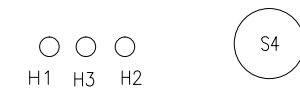
code Machine		denomination		Codice	
re-examined	date/date	WIRING DIAGRAM		81796	
inspected by	date	Dishwashers		n°/file	mod
validated by	date/date	total blat	N° blat	Next blat	
		3	2	-3	

DESCRIZIONE	SOSTITUISCE	DATA
-3		
-2		



Detergent connection

110 / N01



DESCRIZIONE	SDSTITUISCE	DATA

re-examined		date/date		denomination		Codice	
inspected by		date/date		WIRING DIAGRAMM		81796	
validated by		date/date		Dishwashers		n°/file mod	
				total blat N° blat Next blat		81796L --	
				3 2 -3			

A
B
C
D
E
F
G
H

S1	PULSANTE DI LINEA MAIN SWITCH	INTERRUPTEUR DE LIGNE NETZSCHALTER		
B5	MICROINTERRUTTORE MAGNETICO MAGNETIC SAFETY MICROSWITCH	MICROINTERRUPTEUR MAGNETIQUE MAGNETISCHER SICHERHITSSCHALTER		
S4	PULSANTE FUNZIONE SCARICO DRAIN SWITCH FUNCTION			
S2	SELETTORE CICLO CYCLE COMMUTATOR	SELECTEUR CYCLE WAHLSCHALTER FUER WASCHVORGANGSDAUER		
S3	PULSANTE PARTENZA AUTOMATICA AUTOMATIC START PUSH BOTTON			
F1	TERMOSTATO SICUREZZA BOILER SAFETY BOOSTER HEATER THERMOSTAT	THERMOSTAT DE SICURITE DU BOYLER SICHERHEITZUNG		
F3	TERMOSTATO SICUREZZA VASCA SAFETY TANK HEATER THERMOSTAT	THERMOSTAT DE SICURITE CUVE SICHERHEITS- TANKTHERMOSTAT		
R3	RESISTENZA VASCA LAVAGGIO WASH TANK HEATING ELEMENT	RESISTANCE CUVE DE LAVAGE WASHTANKHEIZUNG		
R1	RESISTENZA BOILER BOOSTER HEATER HEATING ELEMENT	RESISTANCE BOYLER BOILERHEIZUNG		
M3	ELETTROPOMPA DI SCARICO DRAIN PUMP			
M4	ELETTROPOMPA AUMENTO PRESSIONE RINSE BOOSTER PUMP	ELECTROPOMPE AUGMENT PRESSION DRUCKSTEIGERUNGSPUMPE		
M6/M8	ELETTRODOSATORE DETERSIVO EL. DETERGENT INJECTOR	DOSEUR EL. DETERGENT SPUEL MITTELDOSIERGERAET		
M1	ELETTROPOMPA LAVAGGIO WASH ELECTRIC PUMP	ELECTROPOMPE LAVAGE ELEKTRISCHE UMAELZPUMPE		
K12	TELERUTTORE SICUREZZA RESISTENZA BOILER SAFETY BOOSTER HEATER CONTACTOR	CONTACTEUR RESISTANCE BOYLER LUFTSCHUETZ F. BOILERHEIZUNG		
K2	TELERUTTORE RESISTENZA BOILER BOOSTER HEATER CONTACTOR	CONTACTEUR RESISTANCE BOYLER LUFTSCHUETZ F. BOILERHEIZUNG		
K3	TELERUTTORE RESISTENZA VASCA RELAY FOR TANK HEATER ELEMENT	REALAIS RESISTENCE DE CUVE NACHSPUELHEIZUNGSRELAIS		
K4	RELE AUSILIARIO AUXILIARY RELAY	REALIS AUXILIAIRE HILFESRELAIS		
KS	RELE AUSILIARIO AUXILIARY RELAY	REALIS AUXILIAIRE HILFESRELAIS		
Y4	ELETTROVALVOLA RISCIAQUO RINSE SOLENOID VALVE	ELECTROVANNE DE RINCAGE MAGNETVENT FUER NACHSPUELUNG		
FA	FUSIBILE FEUSES			
B1	TERMOSTATO RESISTENZA BOILER BOOSTER HEATER THERMOSTAT	THERMOSTAT RESISTANCE BOYLER BOILERHEIZUNG		
B3	TERMOSTATO RESISTENZA VASCA TANK HEATER THERMOSTAT	THERMOSTAT RESISTANCE DE CUVE THANKHEIZUNG THERMOSTAT		
C1	CONDESATORE CAPACITOUR			
B10	PRESSOSTATO LIVELLO VASCA TANK PRESSURE SWITCH	PRESSOSTAT NIVEAU AIRGAP TANKDRUCKSCHALTER-NIVEAUREGLER		
A1	PROGRAMMATORE CYCLE TIMER	PROGRAMMATEUR CYCLAGE PROGRAMMSCHALTWERK SPUEL PROGRAMM		
SIMB.	DESCRIZIONE DESCRIPTION	DESCRIZIONE BESCHREIBUNG		

code Machine		denomination		Code	
re-examined	date	WIRING DIAGRAMM		81796	
	19/03/07				
inspected by	date	Dishwashers		n°/file	nod
validated by	date			total blat	N° blat
		3	1	-2	
				81796	--

DESCRIZIONE	SOSTITUISCE	DATA